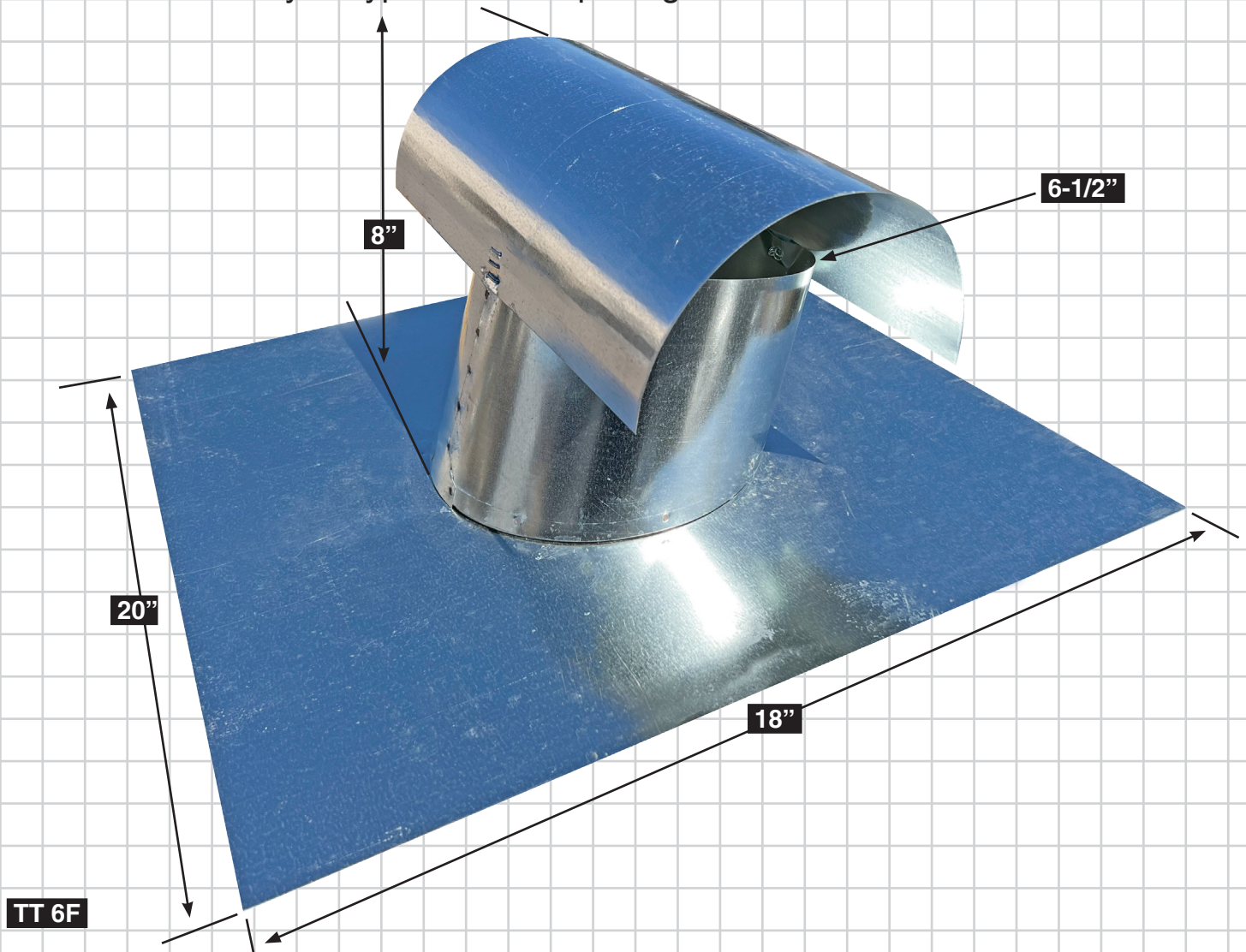


# 6" Tee-Top Roof Vent

General Metals Tee Tops are designed to provide all weather protection for virtually all types of vent openings and common exhaust.



**Description:** 6 inch Roof Top vent. Fits 6 inch OD single wall duct pipes. All galvanized steel cone and top with a die formed galvanized steel base. Base has a 1/2" internal lip to prevent leakage. Internal wire screen version prevents rodents and bugs.

- Sizing: fits up to 8 inch round pipes
- Roof Slope: flat to 4/12 pitch roofs.
- Durable No Leak Design
- With Screen, without screen available.

**JOB:** \_\_\_\_\_

**ARCHITECT/ENGINEER:** \_\_\_\_\_

**CONTRACTOR:** \_\_\_\_\_

**LOCATION:** \_\_\_\_\_



**General Metals Mfg. & Supply Co.**

2727 W. Weldon Ave., Phoenix, AZ 85017

Phoenix 602-264-4815 • Tucson 520-622-5855 • Manufacturing 602-263-9607

05-10-23