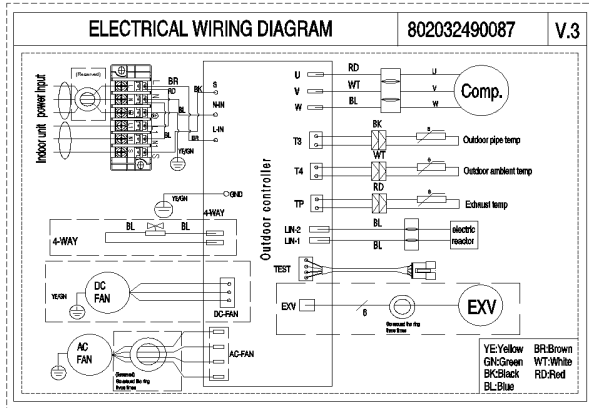
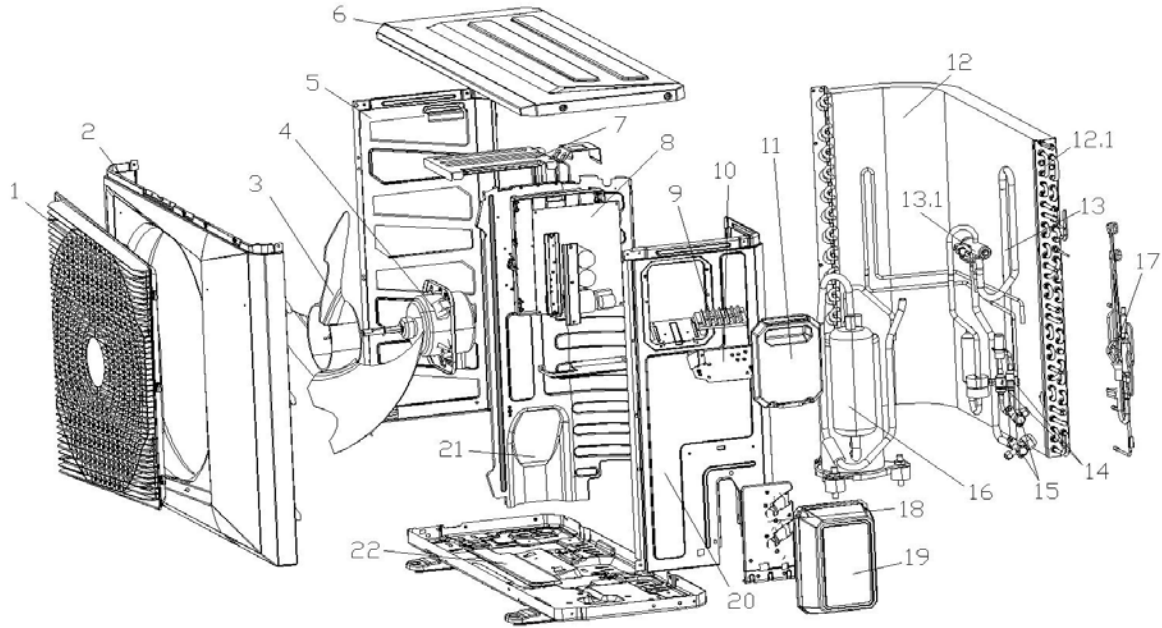


Project code: CWA2009-QS003  
 Product name: Frequency conversion split outdoor unit (camel gray Meizhi KTM240D43UMT 2P7-15)  
 Market Model: COU-D24HNR1-C02-H5  
 Power specification: 208/230V 1Ph 60HZ  
 Product code/product code: 820037100005 / US1-KFR-70W/BPDR1-C02(H5)  
 Project description: According to the needs of business development and market development, a



No.	Part Name	Quantity	Sale code	BOM code	Remark
1	Air outlet net cover (plastic)	1		802932490001	
2	Front panel	1		80125900022	
3	Axial-flow fan blade	1		801100300042	
4	Outdoor DC fan motor	1		802400300081	
5	Left claspboard	1		80125900019	
6	Top cover parts	1		80123700026	
7	Motor bracket assembly	1		801242001621	
8	Outdoor main PCB	1		801337000012	
9	Terminal	1		802404700004	
10	Electronic control mounting plate	1		801239000076	
11	Big handle	1		801232490009	
12	Condenser assy	1		801537000045	
12.1	Condenser	1		801539000005	
13	4-way valve assy	1		801637000045	
13.1	4-way valve	1		801600100027	
13.2	4-way valve coil	1		802319900033	
14	Electronic expansion valve assembly	1		801637000048	
15	Cut-off valve-DN8	1		801633600130	
16	Inverter compressor	1		801401400202	
17	Throttle valve assembly	1		801639090800	

18	Valve holder	1		801228200171	
19	Stop valve cover	1		801137000005	
20	Right clapboard parts	1		801259000020	
21	Separating board assembly	1		801239090413	
22	Outdoor chassis assy	1		801239090411	
23	Temperature senser	1		802300400190	T3/T4/T5