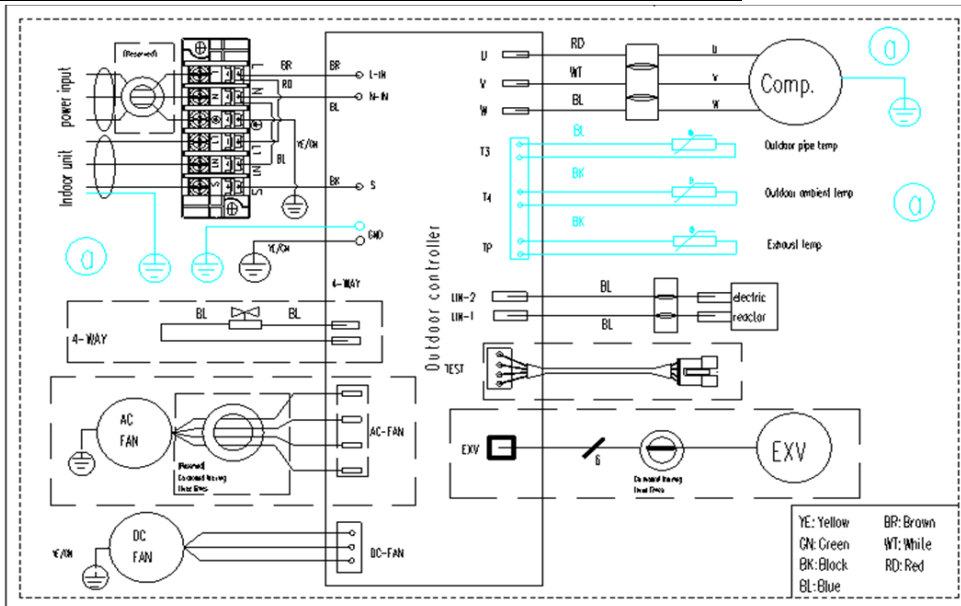
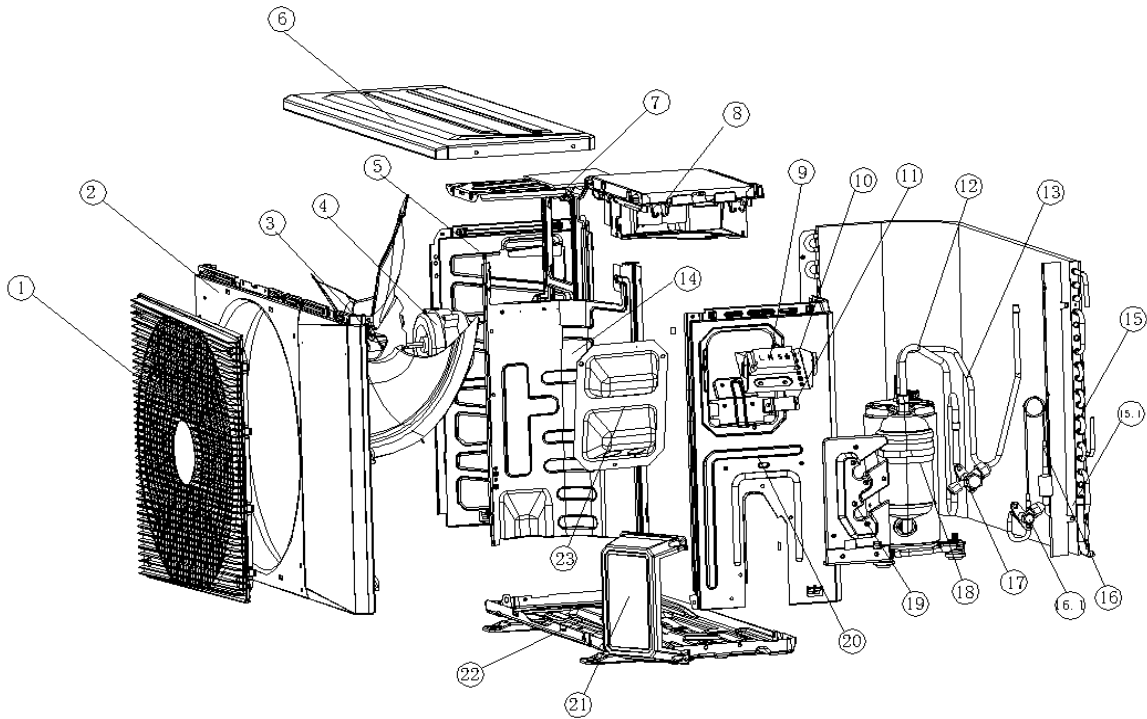


Product name: Frequency conversion split outdoor unit (camel gray Meizhi KSN98D22U)
 Project code: US-KFR-35W/BPDR1-AA01(K0)
 Product Code: 821039000129
 Power specification: 115V-1Ph-60Hz



No.	Part Name	Quantity	Sale code	BOM code
1	Air Grille	1		802939000002
2	Front panel	1		801239000057
3	Axial Fan Blade	1		801100300046
4	DC Motor	1		802400300102
5	Left side panel	1		801239000056
6	Top cover assembly	1		801242001867
7	Motor bracket assembly	1		801239000052
8	Outdoor main PCB	1		801339000029
9	Terminal block mounting plate	1		802401800110
10	Welded parts of electronic control mounting plate	1		801239000046

11	Pressing Button	1		801102000016		
12	Suction Pipe Assembly	1		801639000085		
13	Discharge Pipe Assembly	1		801639000086		
13.1	4-way valve	1		801600100023		
13.2	4-way valve coil	1		802408400001		
14	Middle separating board assembly	1		801239000065		
15	Condenser assembly	1		801539000009		
15.1	Condenser	1		801539000011		
16	Capillary parts	1		801639090762		
16.1	Cut-off valve-C	1		801600200032		
17	Cut-off valve	1		801600300062		
18	Inverter compressor	1		801401400179		
19	Valve holder	1		801228200171		
20	Right side panel parts	1		801239000051		
21	Stop valve cover	1		801137000002		
22	Base Pan	1		801239000048		
23	Big Handler	1		801239000075		
24	Temperature sensor	1		802300400190	T3/T4/T5	