

Product explosion map

Number: US1-KFR140W-TR1-F01(E0)_821034000039

CWA2009-QS001

Fixed frequency air duct outdoor unit

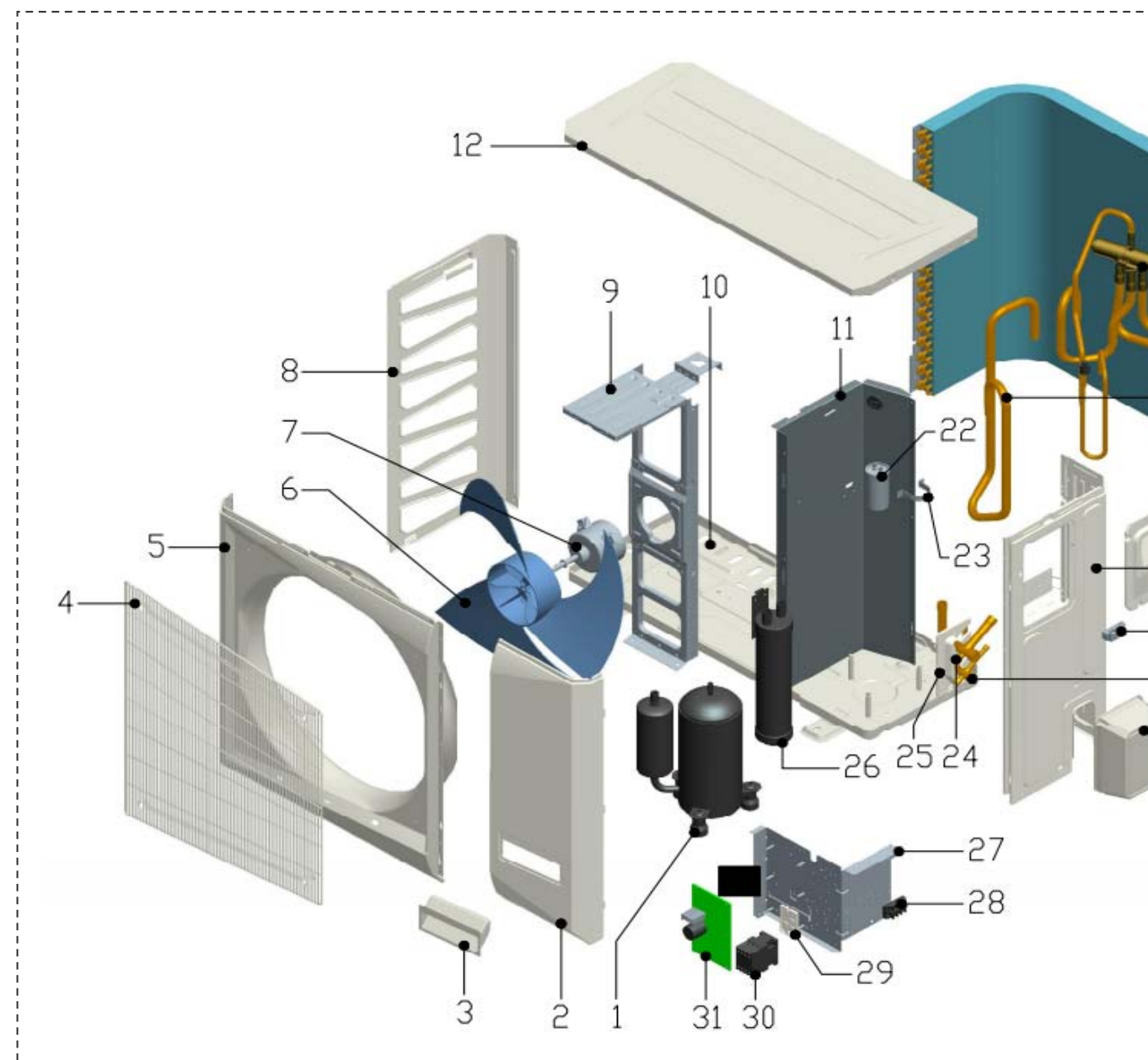
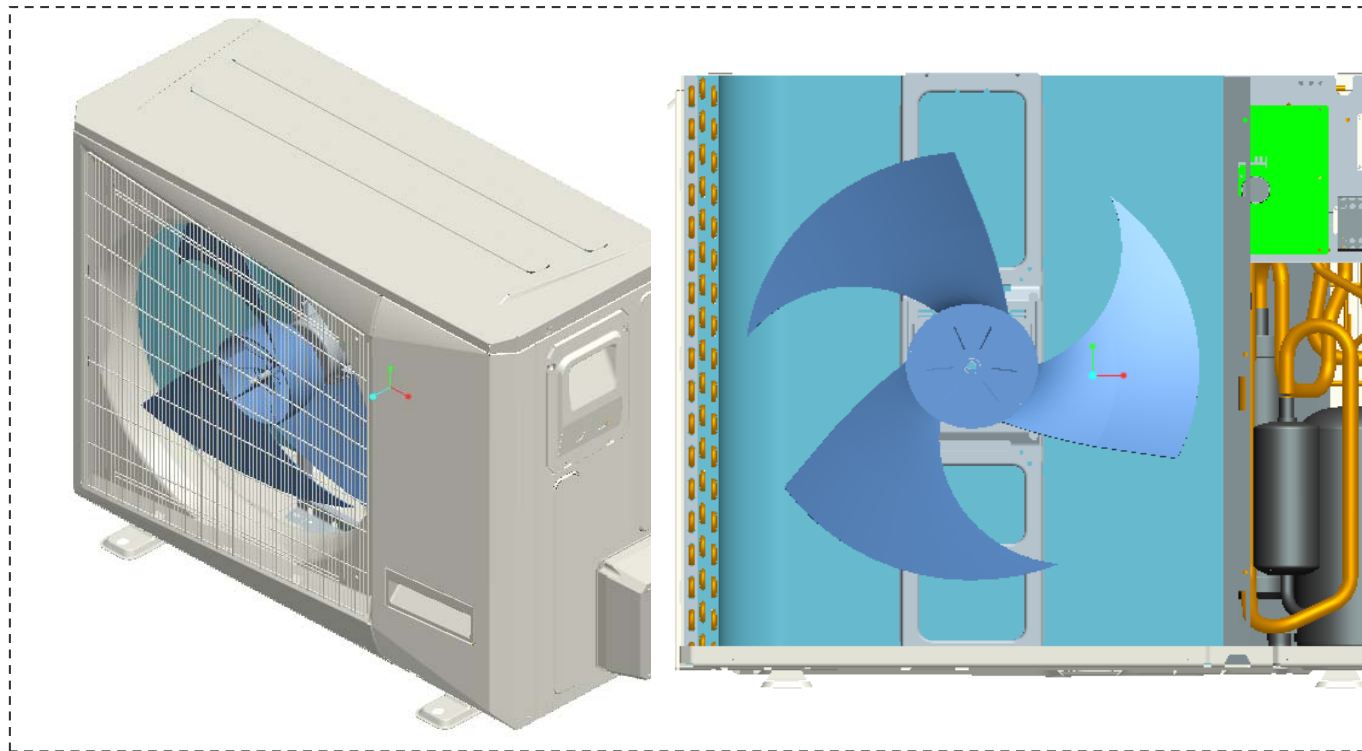
COU-F48HNR1-F01-E0

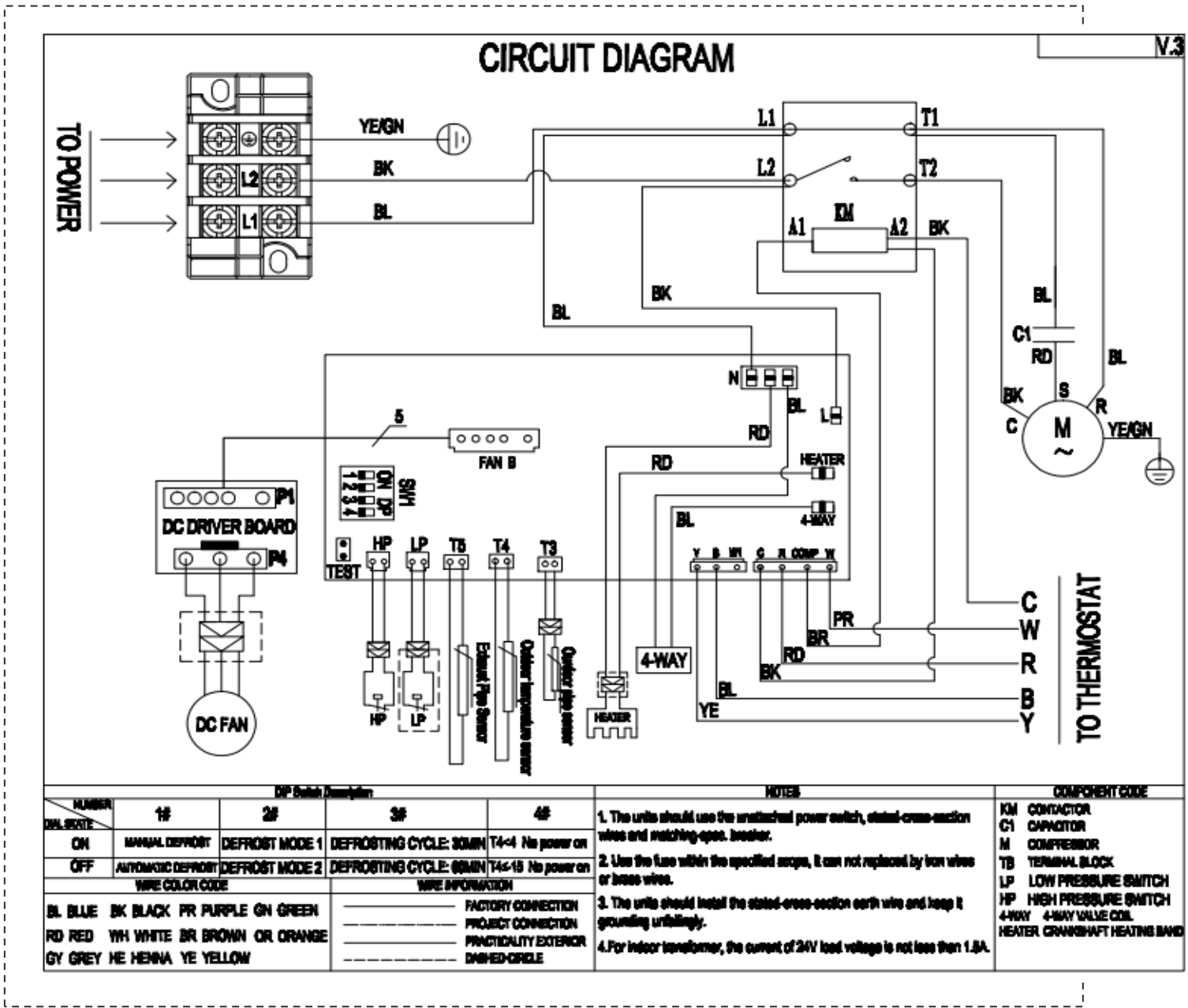
208-230V~/60Hz

821034000039

US1-KFR140W-TR1-F01(E0)

North American side air _ cold and warm 48K





COU-48HNR1-C01-E0

No.	Part Name	Quantity	Sale code	BOM code
1	Compressor	1		801400100030
2	Right front side panel	1		801242001688
3	Small handle	1		801132890002
4	Air outlet net cover	1		802934090001
5	Front panel	1		801242001684
6	Axial-flow fan blade	1		801100300034
7	Outdoor fan motor	1		802400300087
8	Left side panel	1		801242001682
9	Holder of fan motor	1		801242001418
10	Chassis parts	1		801234090069
11	Separating board parts	1		801234090070
12	Top cover parts	1		801242001690
13	Condenser parts	1		801534090025
14	Four way valve parts	1		801634090216
15	Air-return pipe of compressor	1		801634090215
16	High pressure valve parts	1		801634090213
17	Big handle	1		801234090074
18	Right rear side panel part	1		801234490086
19	Crimping button	1		801102000015
20	Cut-off valve (DN8)	1		801600200014
21	Cover of cut-off valve	1		801142000103
22	Compressor capacitor	1		802401000046
23	Capacitor clip	1		801233400003
24	Cut-off valve (DN16)	1		801600200022
25	Valve mounting plate	1		801242001681
26	Gas-liquid separator	1		801601200037
27	Electric control board mounting board	1		801234090071
28	Terminal block	1		802401700400
29	Outdoor fan drive board assembly	1		802301700524
30	AC contactor	1		802300100261
31	Main board assembly	1		801319900044

