

Product explosion map

Number: EXP_US1-KFR105W-TR1-D01(E0)_821033400060

CWA2007-QS001

Fixed frequency air duct outdoor unit

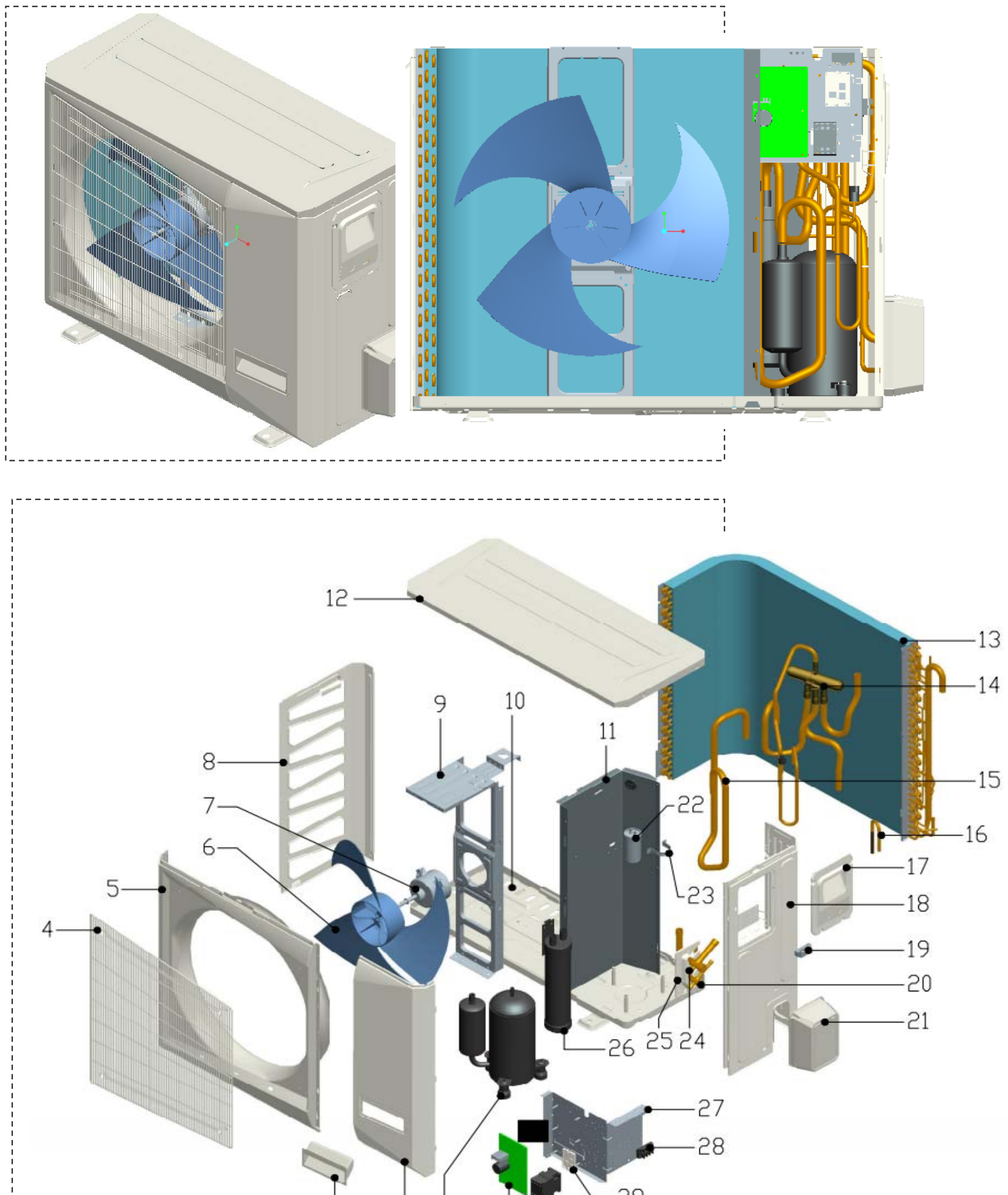
COU-F36HNR1-D01-E0

208-230V~/60Hz

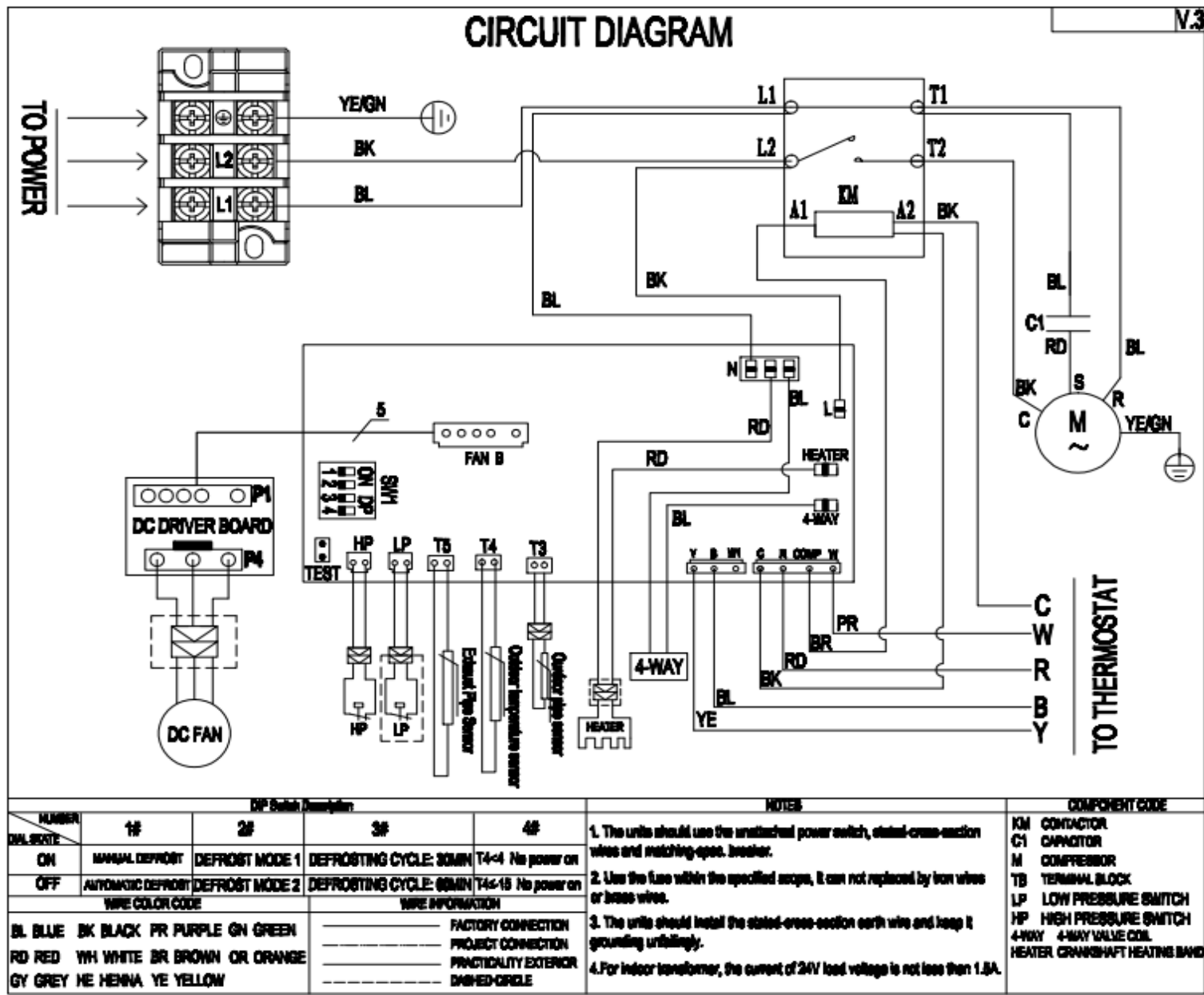
821033400060

US1-KFR105W-TR1-D01(E0)

North American side air _ cold and warm 36K



3 2 1 31 30



COU-36HNR1-C01-E0

No.	Part Name	Quantity	BOM code
1	Compressor	1	801401100042
2	Right front side panel	1	801228200181
3	Small handle	1	801132890002
4	Air outlet net cover	1	802932890001
5	Front panel	1	801228200179
6	Axial-flow fan blade	1	801100300036
7	Outdoor fan motor	1	802400300073
8	Left side panel	1	801228200177
9	Holder of fan motor	1	801242001501
10	Chassis parts	1	801233490158
11	Separating board parts	1	801233490172
12	Top cover parts	1	801232890063
13	Condenser parts	1	801533490089
14	Four way valve parts	1	801633490377
15	Air-return pipe of compressor	1	801633490384
16	High pressure valve parts	1	801633490385
17	Big handle	1	801232890064
18	Right rear side panel part	1	801228200178
19	Crimping button	1	801102000016
20	Cut-off valve (DN8)	1	801600200014
21	Cover of cut-off valve	1	801137000005
22	Compressor capacitor	1	802401000046
23	Capacitor clip	1	801233400003
24	Cut-off valve (DN16)	1	801600200012
25	Valve mounting plate	1	801228200184
26	Gas-liquid separator	1	801601200037

27	Electric control board mounting board	1	801232890059
28	Terminal block	1	802401700400
29	Outdoor fan drive board assembly	1	802301700490
30	AC contactor	1	802300100261
31	Main board assembly	1	801319900044