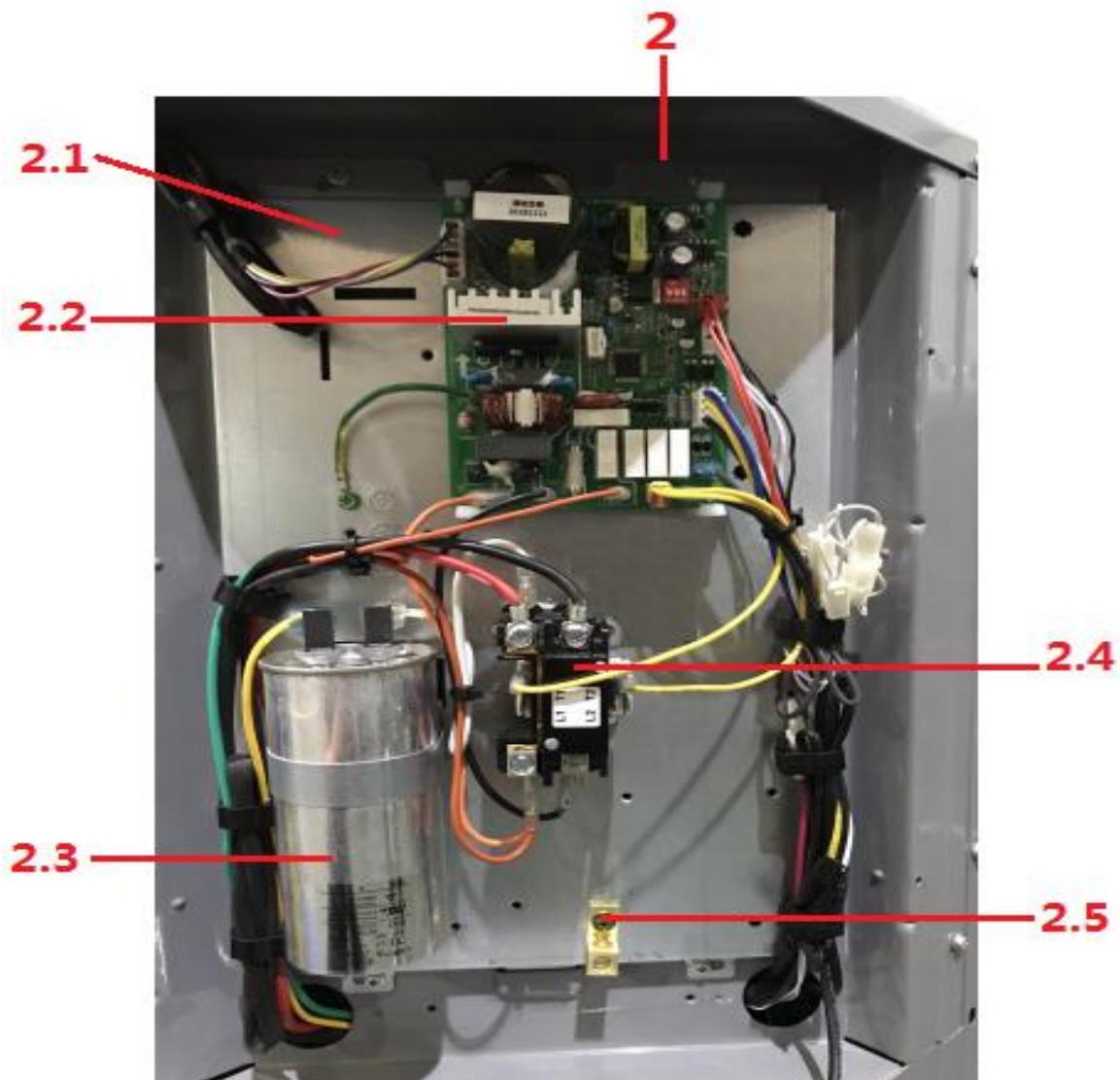
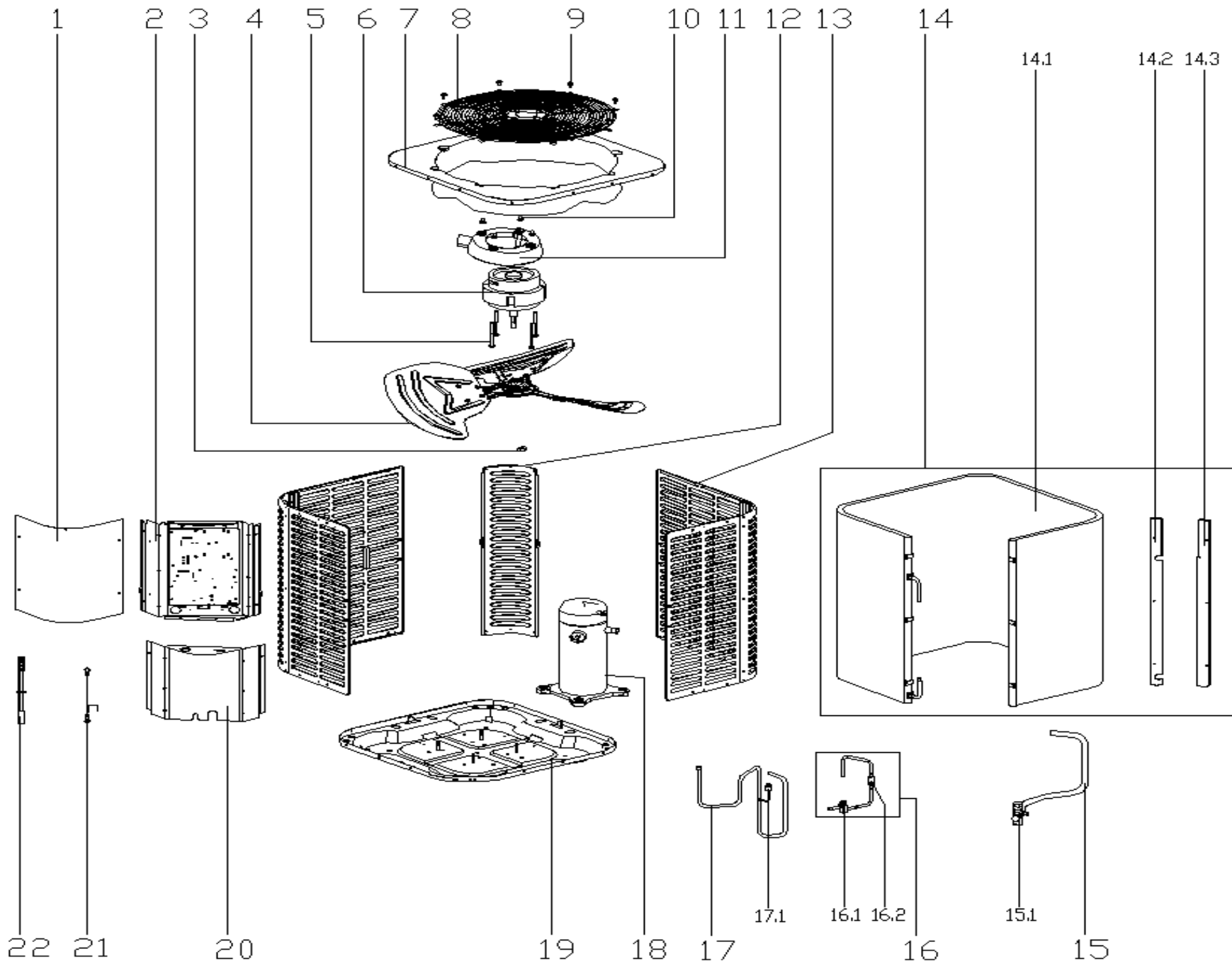


## Exploded View

产品编码(Product model) :  
客户型号(Customer model) :

22023016002559  
MOVB-60CN1-M16L





EX_ID	Spare Parts Code	Part Name(CN)	Part Name(EN)	Qty.	Remark2	Part Status	Drawing No
1	12223100A00133	上侧板(SB3053)	Side board	1		In use	UL-KF53W/N1-411V3-6
2	17223000A05957	室外机电控盒组件	E-part box assembly	1		In use	TR-KF140W/N1-532V6E[L].D.1[DZ]
2.1	12223000A04371	电控安装板组合件	Installation plate of electric parts subassembly	1		In use	EAIR-KF90W/N1-541V3.DK.1.1C
2.2	17123000005535	室外主控板组件	Outdoor main control board assembly	1		In use	UL-WKR160A/MN1X-16B.D.1
2.3	17400103000133	压缩机电容	Capacitor	1		In use	70uF/450V-P2(2000h)
2.4	11203502000032	交流接触器	AC contactor 24V	1		In use	JCQ-40A-10-24VAC-L
2.5	11201708000008	接线柱 RoHS JXZH-CuH62-a6.6bM5	Wiring Terminal	1		In use	JXZH-CuH62-a6.6bM5
3	11301512000143	1型六角螺母	Nut	1		In use	GBT6170
4	12200104000038	轴流风叶	Fan	1		In use	ZL-600*115*12.7-3N
5	11301805000012	电机安装螺栓	Electrical installation bolt	4		In use	MJ05-00154
6	11002015009345	无刷直流电机	Brushless DC Motor	1		In use	ZKSP-200-8-1
7	12223000001096	顶盖部件(SB3053)	Top cover ass'y	1		In use	HVA-KF105W/N1-531V3.1A
8	12227700003729	顶盖网罩(SB3023)	Top cover	1		In use	UL-WKR71A/MN1X-14A.1
9	11301002000001	六角头螺栓和弹簧垫圈及大垫圈组合件	Stainless steel bolts	8		In use	MJ16-00040
10	11301604000001	盖形螺母	Cap nut	4		In use	MJ13-00133
11	12123000000464	电机安装板组件(S1022)	Motor installation board ass'y	1		In use	HVA-KF160W/BP2N1-532V8[T].1
12	12223100000247	支撑板 SB3053 RoHS UL-KF140W/N1-543V3-1	Support Plate	3		In use	UL-KF140W/N1-543V3-1
13	12223000004129	侧板组件 2(SB3053)	Clapboard ass'y 2	2		In use	UL-KF160W/N1-532V3.2B
13	12223100000361	侧板组件 1(SB3053)	sideboard	2		In use	UL-KF160W/N1-532V3.1
14	15823000004788	冷凝器部件	Condenser ass'y	1		In use	UL-KF160W2/N1-532V6[L].ZL.1
14.1	15823000004741	冷凝器	Condenser	1		In use	UL-KF160W2/N1-532V6[L].ZL.1.1
14.2	12223000011570	冷凝器边板	Condenser strip	1		In use	UL-KF160W2/N1-532V6[L].ZL.1.2
14.3	12223000011569	冷凝器边板	Condenser strip	1		In use	UL-KF160W2/N1-532V6[L].ZL.1.3
15	15423000004821	低压阀组件	Stop valve ass'y	1		In use	UL-KF120W\$N1-532V6E[L].ZL.3
15.1	15500206000017	方体阀	Block valve	1		In use	FTFM-05N1

16	15423000004828	高压阀组件	High pressure valve ass'y	1		In use	UL-KF160W2/N1-532V6[L].ZL.4
16.1	15500206000018	方体阀	Block valve	1		In use	FTFM-01N1
17	15423000004830	排气管组件	Discharge pipe ass'y	1		In use	UL-KF160W2\$N1-532V6[L].ZL.2
17.1	17400516000032	压力控制器	Pressure switch	1		In use	YK-4.4/3.2-600(UL)
18	11102010001184	定速涡旋式压缩机	Fixed speed scroll compressor	1		In use	ABG049KAC
19	12223000002430	底盘部件(SB3053)	Base ass'y	1		In use	UL-KF105W/N1-531V3.1
20	12223100000349	下侧板部件(SB3053) RoHS UL-KF140W/N1-543V3.3 B H	Side board assembly, down	1		In use	UL-KF140W/N1-543V3.3
21	17401110000020	绿色接地线	Green ground line	1		In use	L700Φ2.1(aM4bM5)/UL1015-14-GN
22	17401203001230	压缩机连接线组	Compressor wire joint ass'y	1		In use	UL-KF160W/N1-532V3[L].D- 1(LG:EAD36733405)