

This document contains classified information.

All individuals are strictly forbidden from any form of disclosure in whole or in part.

Copy and/or distribution without expressed Midea consent is forbidden.

### 美的中央空调爆炸图 (Midea CAC Exploded view)

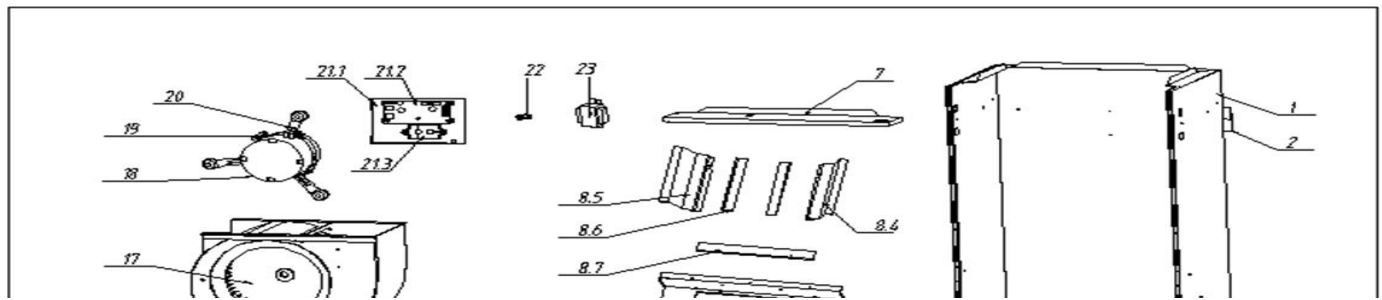
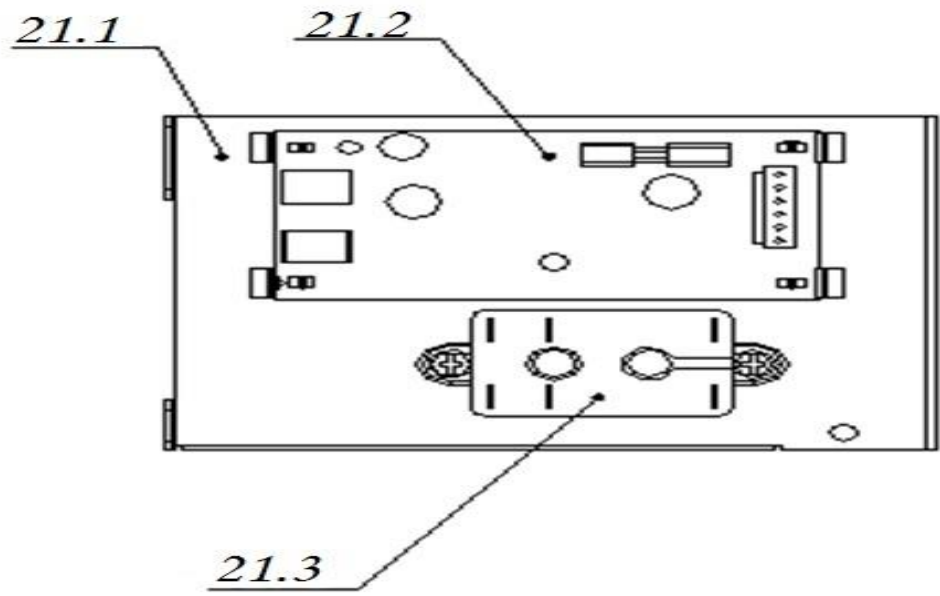
市场型号 (Market model): MVB-36WN1-M13

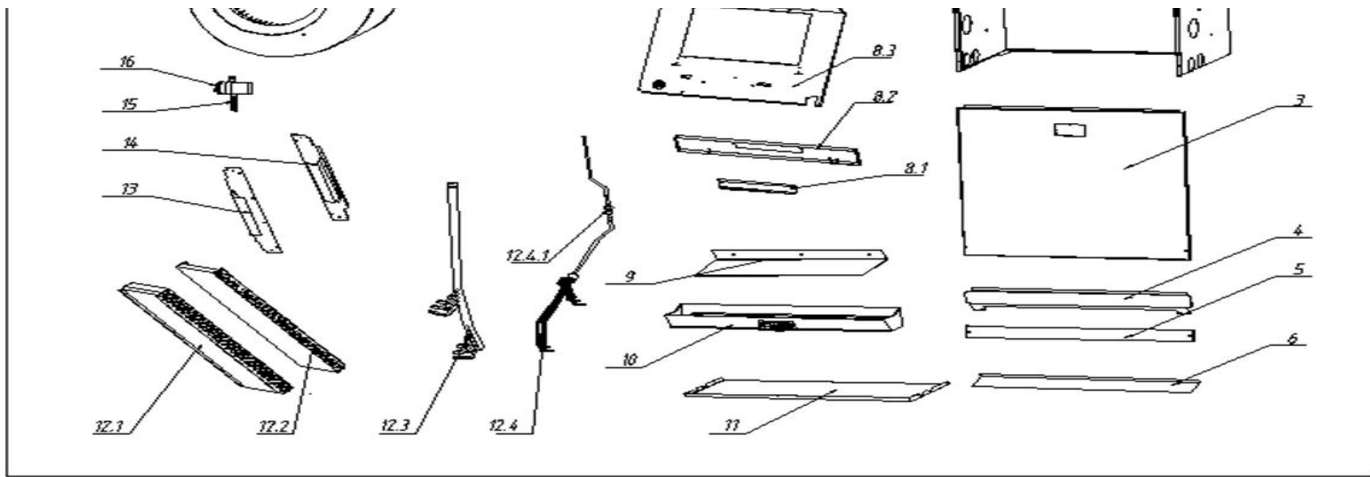
产品型号 (Product model): ULB-KF105V/N1X

产品编码 (Product code): 22023011000943

电源规格 (Power supply): ZU8ANdZ3UV\_1Pn,FREQUENCY\_6U  
H7

导出时间 (Output time): 2020-02-20 13:07:32





序号	零部件名称		数量	物料编码	价格	代号	备注
No.	Chinese Name	Part Name	Quantity	BOM Code	Price	Model	Remark
1	底盘组件 RoHS ULB-KF90V/N	Base ass'y	1.0	12223000002368			
3	前面板组件 RoHS ULB-KF90V	Front panel components	1.0	12223000002218			
4	蒸发器连接板组件 ULB-KF90	Condenser connection board	1.0	12223000002136			
5	中连接板板组件 RoHS ULB-K	In the interconnect board	1.0	12223000002182			
6	接水盘支撑板 ULB-KF90V/N1	Drainage pan supporting board	1.0	12223000002113			
7	上侧板组件 RoHS ULB-KF90V	Components on the side	1.0	12223000002196			
8	风道组件 RoHS ULB-KF90V/N	Air duct ass'y	1.0	12223000004067			
8.1	电辅热挡板 UL-KF71V/N1X.1	Clapboard	1.0	12223000002111			
8.2	风道下挡板 ULB-KF90V/N1X.	Duct under the baffle	1.0	12223000002246			
8.3	风道固定板 ULB-KF90V/N1X.	Fixing board	1.0	12223000002411			
8.4	风道右挡板 ULB-KF90V/N1X.	Right board	1.0	12223000002242			
8.5	风道左挡板 ULB-KF90V/N1X.	Left board	1.0	12223000002239			
8.6	风道挡风板 ULB-KF90V/N1X.	Side board	2.0	12223000002006			
8.7	风道支撑板 ULB-KF90V/N1X.	Support board	1.0	12223000002413			
9	安装支撑板 RoHS ULB-KF90V	installing-supporting plate	1.0	12223000002088			
10	接水盘组件 RoHS ULE-KF90V	Drainage pan assembly	1.0	12123000001081			
11	下侧板组件 RoHS ULB-KF90V	The following side component	1.0	12223000002225			
12	蒸发器部件 RoHS KL-KF105V	Evaporator ass'y	1.0	15823000002366			
12.1	蒸发器 I RoHS KL-KF90V/N1	evaporator I	1.0	15823000002390			
12.2	蒸发器 II RoHS KL-KF90V/N1	evaporatorII	1.0	15823000002393			
12.3	输出管组件 RoHS KL-KF90V/	Output pipe ass'y	1.0	15123000008137			
12.4	输入管组件 RoHS ULB-KF105	Input pipe ass'y	1.0	15423000000480			
13	固定板左组件 RoHS ULB-KF9	Left fixing board	1.0	12223000001799			
14	固定板左组件 RoHS ULB-KF9	Left fixing board	1.0	12223000001799			
15	接水盘拉条 UL-KF71V/N1X-1	Drainage pan clamp	1.0	12223000002177			
16	压缩机电容 RoHS 10uF/450V	Capacitor of compressor	1.0	17400103000154			

17	离心风机 RoHS LX-282*245*	centrifuge fan	1.0	12200102000003			
18	单相异步电机 RoHS YKS-270	Single phase asynchronous	1.0	11002012A00571			
19	电机支架 II RoHS UL-KF71V/	Supporter of fan motor	1.0	12223000001992			
20	电机支架组件I RoHS UL-KF7	Supporter subassembly of	3.0	12223000001932			
21	前回风电控盒组件 (TH203370)	E-part box ass'y	1.0	17223000002243			
21.1	电器安装板 RoHS ULB-KF90V	Electric installation boar	1.0	12223000005779			
21.2	室内主控板组件(中央) RoHS	Main control board subass	1.0	17123000000469			
21.3	继电器 RoHS JDQ-SS-224V/1	24V Motor relay	1.0	11203401000092			
22	接线柱 RoHS JXZH-CuH62-a6	Wiring Terminal	1.0	11201708000008			
23	线性变压器 RoHS TT220-EI6	Transformer	1.0	11203103000194			