

This document contains classified information.
All individuals are strictly forbidden from any form of disclosure in whole or in part.
Copy and/or distribution without expressed Midea consent is forbidden.

美的中央空调爆炸图 (Midea CAC Exploded view)

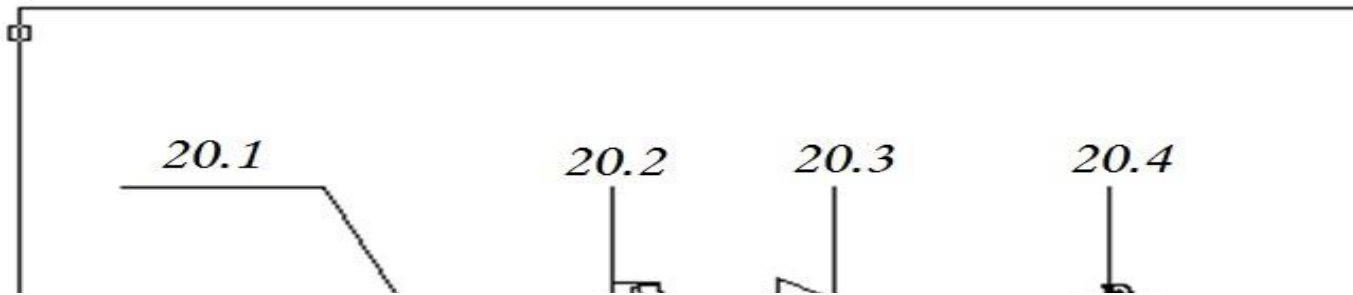
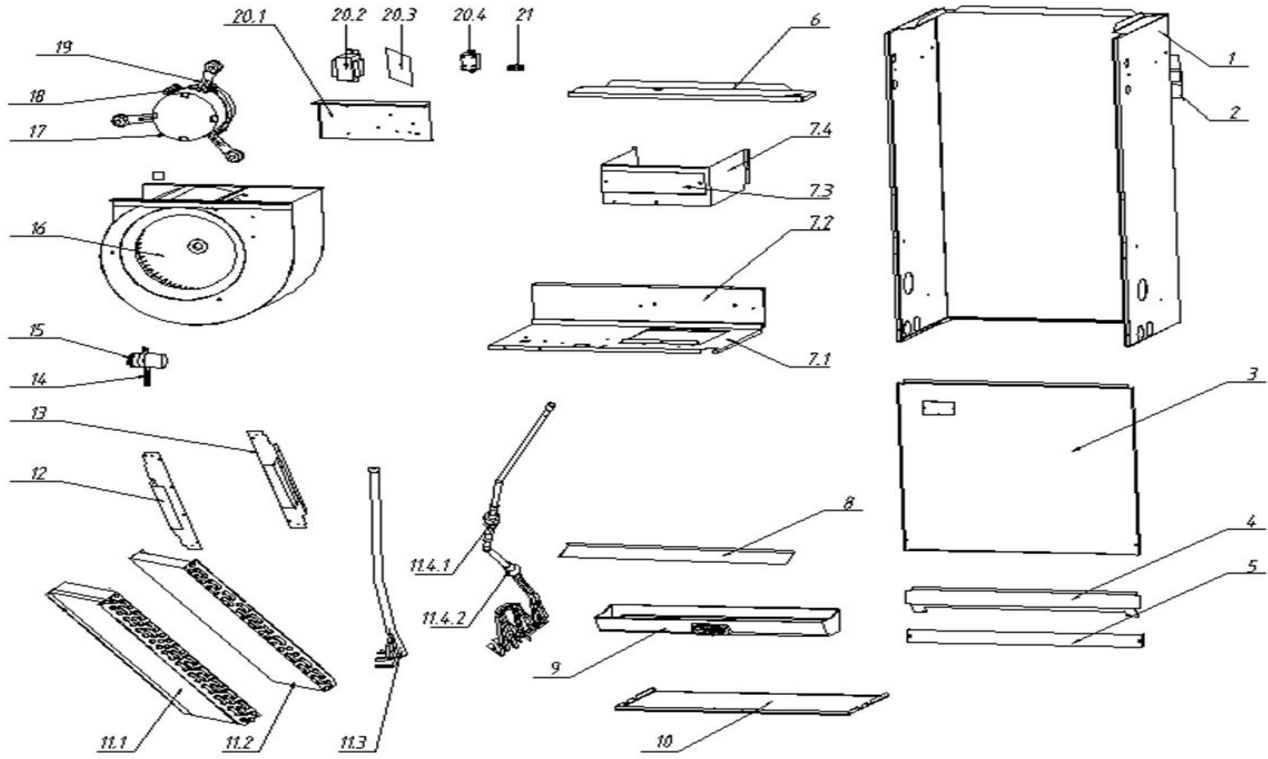
市场型号 (Market model): MVB-24WN1-M13

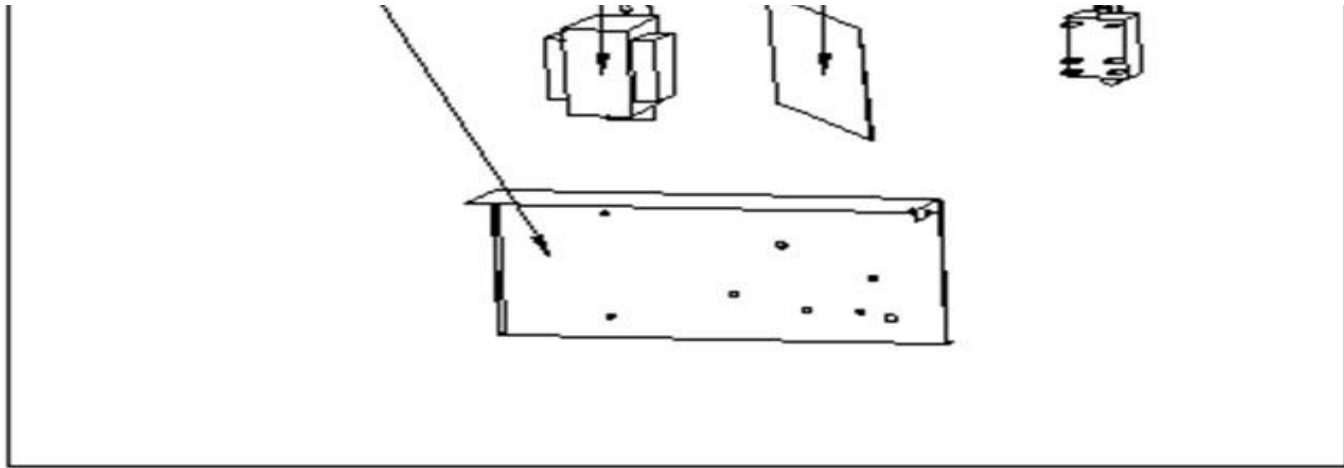
产品型号 (Product model): ULB-KF71V/N1X

产品编码 (Product code): 22023011001010

电源规格 (Power supply): ZU8ANdZ3UV_1FN,FREQUENCY_6U
H7

导出时间 (Output time): 2020-02-20 13:06:48





序号	零部件名称		数量	物料编码	价格	代号	备注
No.	Chinese Name	Part Name	Quantity	BOM Code	Price	Model	Remark
1	底盘组件 RoHS ULB-KF53V/N	Base ass'y	1.0	12223000002372			
3	前面板组件 RoHS ULB-KF53V	Front panel components	1.0	12223000002232			
4	蒸发器上盖板组件 RoHS ULB	Evaporator cover assembly	1.0	12223000002137			
5	中连接板板组件 RoHS ULB-K	In the interconnect board	1.0	12223000002181			
6	上侧板组件 RoHS ULB-KF53V	Components on the side	1.0	12223000002220			
7	中连接板板组件 RoHS ULB-K	In the interconnect board	1.0	12223000002181			
8	接水盘 ULB-KF53V/N1X-7	Drainage pan	1.0	12223000002118			
9	接水盘组件 RoHS ULE-KF53V	Drainage pan assembly	1.0	12123000001080			
10	下侧板组件 RoHS ULB-KF53V	The following side compon	1.0	12223000002214			
11	蒸发器部件 RoHS KL-KF71V/	Evaporator ass'y	1.0	15823000002363			
11.1	蒸发器 I RoHS KL-KF53V/N1	evaporator I	1.0	15823000002392			
11.2	蒸发器 II RoHS KL-KF53V/N1	evaporatorII	1.0	15823000002391			
11.3	输出管组件 RoHS KL-KF53V/	Condenser output pipe ass	1.0	151230000008136			
11.4	输入管组件 RoHS ULB-KF71V	Enter the tube assembly	1.0	15423000000503			
12	固定板左组件 RoHS ULB-KF5	Left fixing board	1.0	12223000001989			
13	固定板右组件 RoHS ULB-KF5	Right fixing board	1.0	12223000001990			
14	接水盘拉条 UL-KF71V/N1X-1	Drainage pan clamp	1.0	12223000002177			
15	压缩机电容 RoHS 6uF/450V-	Capacitor	1.0	17400103000152			
16	风轮部件 RoHS SYZ10-6IMD	Wind turbine parts	1.0	12200101000021			
17	单相异步电机 RoHS YKS-165	Single phase asynchronous	1.0	11002012006946			
18	电机支架 II RoHS UL-KF71V/	Supporter of fan motor	1.0	12223000001992			
19	电机支架组件I RoHS ULB-KF	Motor bracket ass'y I	3.0	12223000001934			
20	前回风电控盒组件(TH203370	E-part box ass'y	1.0	17223000002246			
20.1	主控板安装板 RoHS ULB-KF5	PCB installation board	1.0	12223000005888			
20.2	线性变压器 RoHS TT220-EI6	Transformer	1.0	11203103000194			
20.3	室内主控板组件(中央) RoHS	Main control board subass	1.0	17123000000469			

20.4	继电器 RoHS JDQ-SS-224V/1	24V Motor relay	1.0	11203401000092			
21	接线柱 RoHS JXZH-CuH62-a6	Wiring Terminal	1.0	11201708000008			