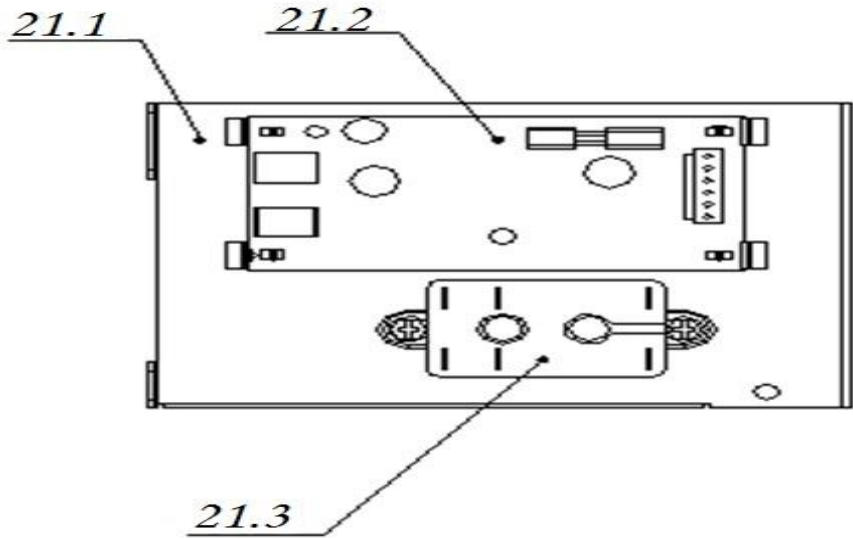
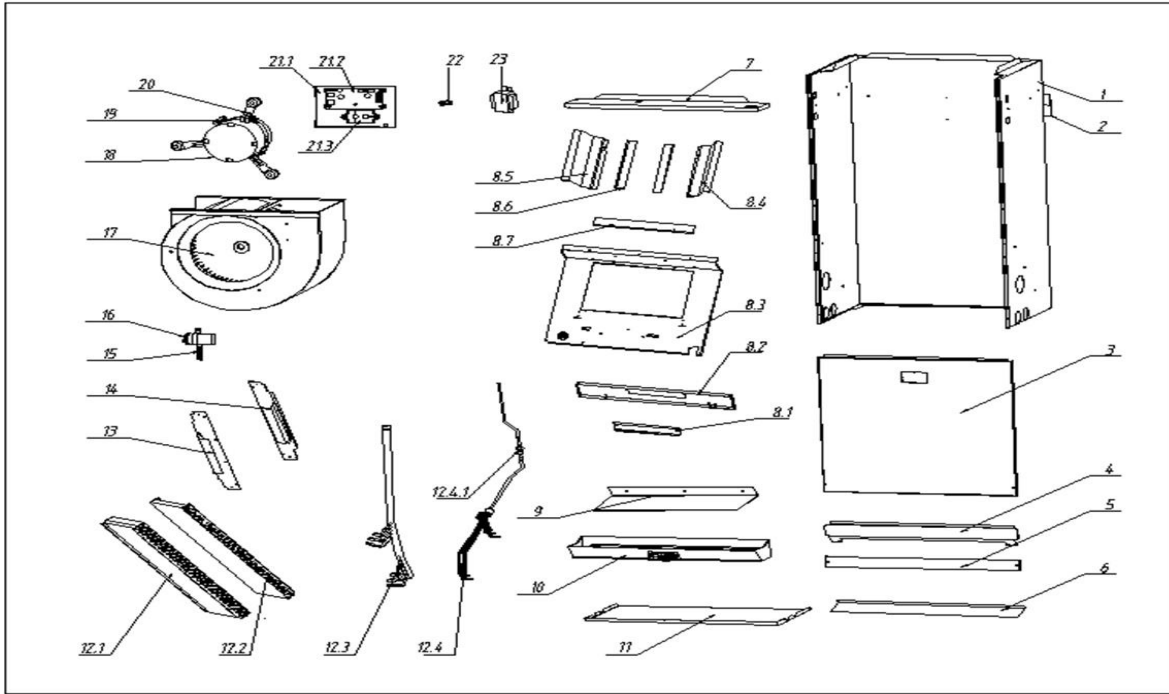


This document contains classified information.
 All individuals are strictly forbidden from any form of disclosure in whole or in part.
 Copy and/or distribution without expressed Midea consent is forbidden.

美的中央空调爆炸图 (Midea CAC Exploded view)

市场型号 (Market model): **MVB-30WN1-M13**
 产品型号 (Product model): ULB-KF90V/N1X
 产品编码 (Product code): 22023011001008
 电源规格 (Power supply): Z08AndZ30V_1Pn,FREQUENCY_60Hz 导出时间 (Output time): 2020-02-19 09:35:17



序号 No.	零部件名称 Chinese Name	Part Name	数量 Quantity	物料编码 BOM Code	价格 Price	代号 Model
1	底盘组件 RoHs ULB-KF90V/N1X.1A	Base ass'y	1.0	12223000002368		
3	前面板组件 RoHs ULB-KF90V/N1X.	Front panel components	1.0	12223000002218		
4	蒸发器连接板组件 ULB-KF90V/N1X.	Condenser connection board	1.0	12223000002136		

5	中连接板组件 RoHS ULB-KF90V/1	In the interconnect board	1.0	12223000002182		
6	接水盘支撑板 ULB-KF90V/N1X-5	Drainage pan supporting b	1.0	12223000002113		
7	上侧板组件 RoHS ULB-KF90V/N1X.4	Components on the side	1.0	12223000002196		
8	风道组件 RoHS ULB-KF90V/N1X.5B	Air duct ass'y	1.0	12223000004067		
8.1	电辅热挡板 UL-KF71V/N1X.12-5	Clapboard	1.0	12223000002111		
8.2	风道下挡板 ULB-KF90V/N1X.5-4	Duct under the baffle	1.0	12223000002246		
8.3	风道固定板 ULB-KF90V/N1X.5-1	Fixing board	1.0	12223000002411		
8.4	风道右挡板 ULB-KF90V/N1X.5-2	Right board	1.0	12223000002242		
8.5	风道左挡板 ULB-KF90V/N1X.5-3	Left board	1.0	12223000002239		
8.6	风道挡风板 ULB-KF90V/N1X.5-5	Side board	2.0	12223000002006		
8.7	风道支撑板 ULB-KF90V/N1X.5-6	Support board	1.0	12223000002413		
9	安装支撑板 RoHS ULB-KF90V/N1X-1	installing-supporting ple	1.0	12223000002088		
10	接水盘组件 RoHS ULE-KF90V/N1X.	Drainage pan assembly	1.0	12123000001081		
11	下侧板组件 RoHS ULB-KF90V/N1X.	The following side compo	1.0	12223000002225		
12	蒸发器部件 RoHS KL-KF90V/N1X.ZL	Evaporator ass'y	1.0	15823000002372		
12.1	蒸发器 I RoHS KL-KF90V/N1X.ZL.	evaporator I	1.0	15823000002390		
12.2	蒸发器 II RoHS KL-KF90V/N1X.ZL.	evaporatorII	1.0	15823000002393		
12.3	输出管组件 RoHS KL-KF90V/N1X.ZL	Output pipe ass'y	1.0	15123000008137		
12.4	输入管组件 RoHS ULB-KF90V/N1X.ZL	Input pipe ass'y	1.0	15423000000456		
13	固定板左组件 RoHS ULB-KF90V/N1X.	Left fixing board	1.0	12223000001799		
14	固定板右组件 RoHS ULB-KF90V/N1X.	Right fixing board	1.0	12223000001799		
15	接水盘拉条 UL-KF71V/N1X-10	Drainage pan clamp	1.0	12223000002177		
16	压缩机电容 RoHS 15uF/450V-P2(2)	Capacitor	1.0	17400103000151		
17	离心风机 RoHS LX-282*245*12.7-	centrifuge fan	1.0	12200102000003		
18	单相异步电机 RoHS YKS-220-6-13	Asynchronous motor	1.0	11002012A00572		
19	电机支架 II RoHS UL-KF71V/N1X-2	Supporter of fan motor	1.0	12223000001992		
20	电机支架组件 I RoHS UL-KF71V/N1X.	Supporter subassembly of	3.0	12223000001932		
21	前回风电控盒组件 (TH20337049001)	E-part box ass'y	1.0	17223000002243		
21.1	电器安装板 RoHS ULB-KF90V/N1X.	Electric installation bo	1.0	12223000005779		
21.2	室内主控板组件(中央) RoHS ULB-KF90V/N1X.	Main control board subass	1.0	17123000000469		
21.3	继电器 RoHS JDQ-SS-224V/14A-Z-	24V Motor relay	1.0	11203401000092		
22	接线柱 RoHS JXZH-CuH62-a6.6bM5	Wiring Terminal	1.0	11201708000008		
23	线性变压器 RoHS TT220-EI66-24/	Transformer	1.0	11203103000194		