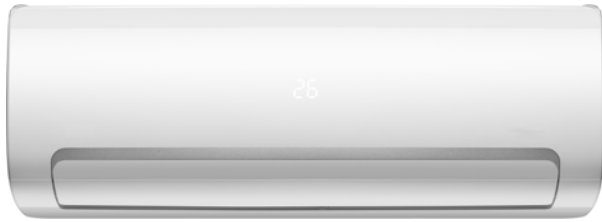




Product Data



NOTE: Images are for illustration purposes only. Actual models may differ slightly.

TABLE OF CONTENTS

| | PAGE |
|---|------|
| MODEL NUMBER NOMENCLATURE | 3 |
| STANDARD FEATURES AND ACCESSORIES | 4 |
| DIMENSIONS | 5 |
| CLEARANCES | 7 |
| SPECIFICATIONS | 8 |
| COMPATIBILITY | 8 |
| APPLICATION DATA | 9 |
| WIRING DIAGRAMS | 12 |
| GUIDE SPECIFICATIONS | 15 |

INDUSTRY LEADING FEATURES / BENEFITS

A PERFECT BALANCE BETWEEN BUDGET LIMITS, ENERGY SAVINGS AND COMFORT

The DLFSHA series ductless systems are a matched combination of an outdoor condensing unit and an indoor fan coil unit connected only by refrigerant tubing and wires.

The fan coil is mounted on the wall, near the ceiling. This selection of fan coils permits creative solutions to design problems such as:

- Add-ons to current space (an office or family room addition)
- Special space requirements
- When changes in the load cannot be handled by the existing system
- When adding air conditioning to spaces that are heated by hydronic or electric heat and have no ductwork
- Historical renovations or any application where preserving the look of the original structure is essential

The ideal compliment to your ducted system when it is impractical or prohibitively expensive to use ductwork.

These compact indoor fan coil units take up very little space in the room and do not obstruct windows. The fan coils are attractively styled to blend with most room decors. Advanced system components incorporate innovative technology to provide reliable cooling performance at low sound levels.

LOW SOUND LEVELS

When noise is a concern, the ductless systems are the answer. The indoor units are whisper quiet. There are no compressors indoors, either in the conditioned space or directly over it, and there is none of the noise usually generated by air being forced through ductwork.

SECURE OPERATION

If security is an issue, outdoor and indoor units are connected only by refrigerant piping and wiring to prevent intruders from crawling through ductwork. In addition, since the outdoor units can be installed close to an outside wall, coils are protected from vandals and severe weather.

FAST INSTALLATION

This compact ductless system is simple to install. A mounting bracket is standard with the indoor units and only wire and piping need to be run between the indoor and outdoor units. These units are fast and easy to install ensuring minimal disruption to customers in the home or workplace. This makes the ductless systems the equipment of choice, especially in retrofit situations.

SIMPLE SERVICING AND MAINTENANCE

Removing the top panel on outdoor units provides immediate access to the control compartment, providing a service technician access to check unit operation. In addition, the draw-thru design of the outdoor section means that dirt accumulates on the outside surface of the coil. Coils can be cleaned quickly from the inside using a pressure hose and detergent.

On all indoor units, service and maintenance expense is reduced due to easy-to-use cleanable filters. In addition, these high wall systems have extensive self-diagnostics to assist in troubleshooting.

BUILT-IN RELIABILITY

Ductless system indoor and outdoor units are designed to provide years of trouble-free operation.

The high wall indoor units include protection against freeze-up and high evaporator temperatures on heat pumps.

The condensing units on heat pumps are protected by a three minute time delay before the compressor starts the over-current protection and the high temperature protection.

INDIVIDUAL ROOM COMFORT

Maximum comfort is provided because each space can be controlled individually based on usage pattern. The air sweep feature provided permits optimal room air mixing to eliminate hot and cold spots for occupant comfort. In addition, year-round comfort can be provided with heat pumps.

ECONOMICAL OPERATION

The ductless system design allows individual room heating or cooling when required. There is no need to run large supply-air fans or chilled water pumps to handle a few spaces with unique load patterns. In addition, because air is moved only in the space required, no energy is wasted while air moves through the ducts.

EASY-TO-USE CONTROLS

The high wall units have microprocessor-based controls to provide the ultimate in comfort and efficiency. The user friendly wireless remote control provides the interface between the user and the unit.

ACCESSORIES

Customizing these ductless systems to your application is easily accomplished.

Adding a condensate pump accessory to the high wall fan coil provides installation flexibility.

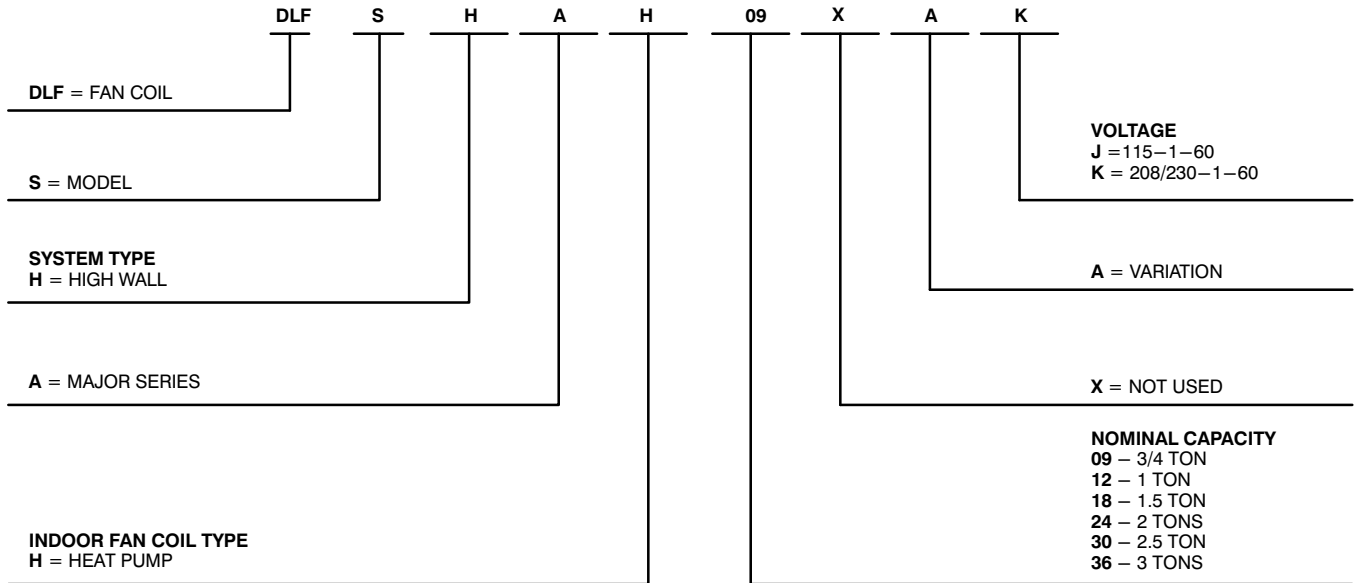
OPTIONAL WIRED CONTROLLER

AGENCY LISTINGS

All systems are listed with AHRI (Air Conditioning, Heating & Refrigeration Institute), and ETL.

MODEL NUMBER NOMENCLATURE

OUTDOOR UNIT



Use of the AHRI Certified TM Mark indicates a manufacturer's participation in the program. For verification of certification for individual products, go to www.ahridirectory.org.



STANDARD FEATURES AND ACCESSORIES

| Ease Of Installation | |
|--|---|
| Mounting Brackets | S |
| Low Voltage Controls | S |
| Stencil Template | S |
| Comfort Features | |
| Microprocessor Controls | S |
| Wired Remote Control | A |
| Wireless Remote Control | S |
| Automatic Up–Down Airflow Louver Swing | S |
| Air Direction Control | S |
| Wi–Fi Control | A |
| Auto Restart Function | S |
| Cold Blow Protection On Heat Pumps | S |
| Freeze Protection Mode On Heat Pumps | S |
| Turbo Mode | S |
| Silence Mode | S |
| Auto Changeover On Heat Pumps | S |
| Follow Me | S |
| ECO Mode | S |
| Energy Saving Features | |
| Sleep Mode | S |
| Stop/Start Timer | S |
| 46°F Heating Mode (Heating Setback) | S |
| Safety And Reliability | |
| Indoor Coil Freeze Protection | S |
| Indoor Coil High Temp Protection in Heating Mode | S |
| Aluminum Golden Hydrophilic pre–coated fins | S |
| Ease Of Service And Maintenance | |
| Cleanable Filters | S |
| Diagnostics | S |
| Carbon Filter | S |
| Application Flexibility | |
| Condensate Pumps | A |

Legend
S Standard
A Accessory

ACCESSORIES

| ACCESSORY NO. | DESCRIPTION | FOR MODELS |
|---------------|--|------------|
| KSACN0101AAA | WIRED REMOTE CONTROL WITH TIMER FUNCTION | ALL SIZES |
| KSACN0401AAA | WIRED REMOTE CONTROL 7 DAY PROGRAMMABLE | ALL SIZES |
| KSAIF0501AAA | WI–FI KIT | ALL SIZES |

INDOOR UNITS

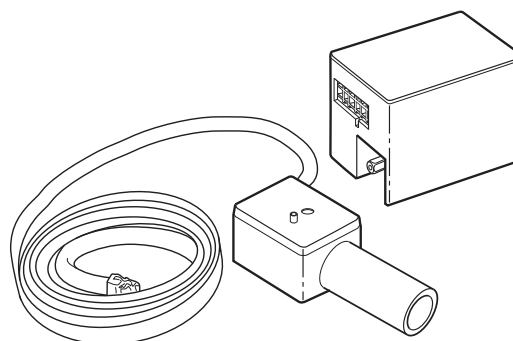


Fig. 1 – Condensate Pump Accessory

On high wall fan coils, the condensate pump has a lift capability of 12 ft. (3.6m) on the discharge side with the pump mounted in the fan coil or 6ft. (1.8m) on the suction side if the pump is remote mounted. The pump is recommended when an adequate drain line pitch cannot be provided, or when the condensate must move up to exit.

NOTE: An external 115V power source is required to run the pump on unit sizes 9k and 12k.

DIMENSIONS

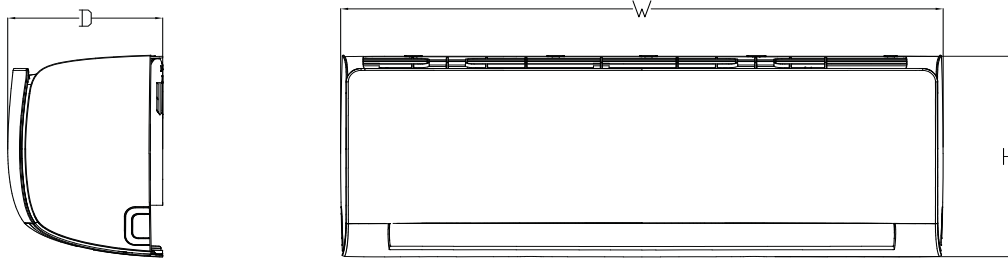


Fig. 2 – Indoor Unit

Table 1—Dimensions

| HIGH WALL UNIT SIZE | | 9K | 12K | 9K | 12K | 18K | 24K | 30K | 36K |
|---------------------|----------|-------------|-------------|-------------|-------------|--------------|--------------|--------------|--------------|
| Voltage | | (115V) | (115V) | (208/230V) | (208/230V) | (208/230V) | (208/230V) | (208/230V) | (208/230V) |
| Height | In (mm) | 11.81 (300) | 11.81 (300) | 11.81 (300) | 11.81 (300) | 13.31 (338) | 13.31 (338) | 14.37 (365) | 14.37 (365) |
| Width | In (mm) | 31.89 (810) | 31.89 (810) | 31.89 (810) | 31.89 (810) | 42.91 (1090) | 42.91 (1090) | 53.15 (1350) | 53.15 (1350) |
| Depth | In (mm) | 7.87 (200) | 7.87 (200) | 7.87 (200) | 7.87 (200) | 9.25 (235) | 9.25 (235) | 10.71 (272) | 10.71 (272) |
| Weight—Net | Lbs (kg) | 18.7 (8.5) | 18.7 (8.5) | 18.3 (8.3) | 18.3 (8.3) | 29.8 (13.5) | 29.8 (13.5) | 46.3 (21) | 46.3 (21) |

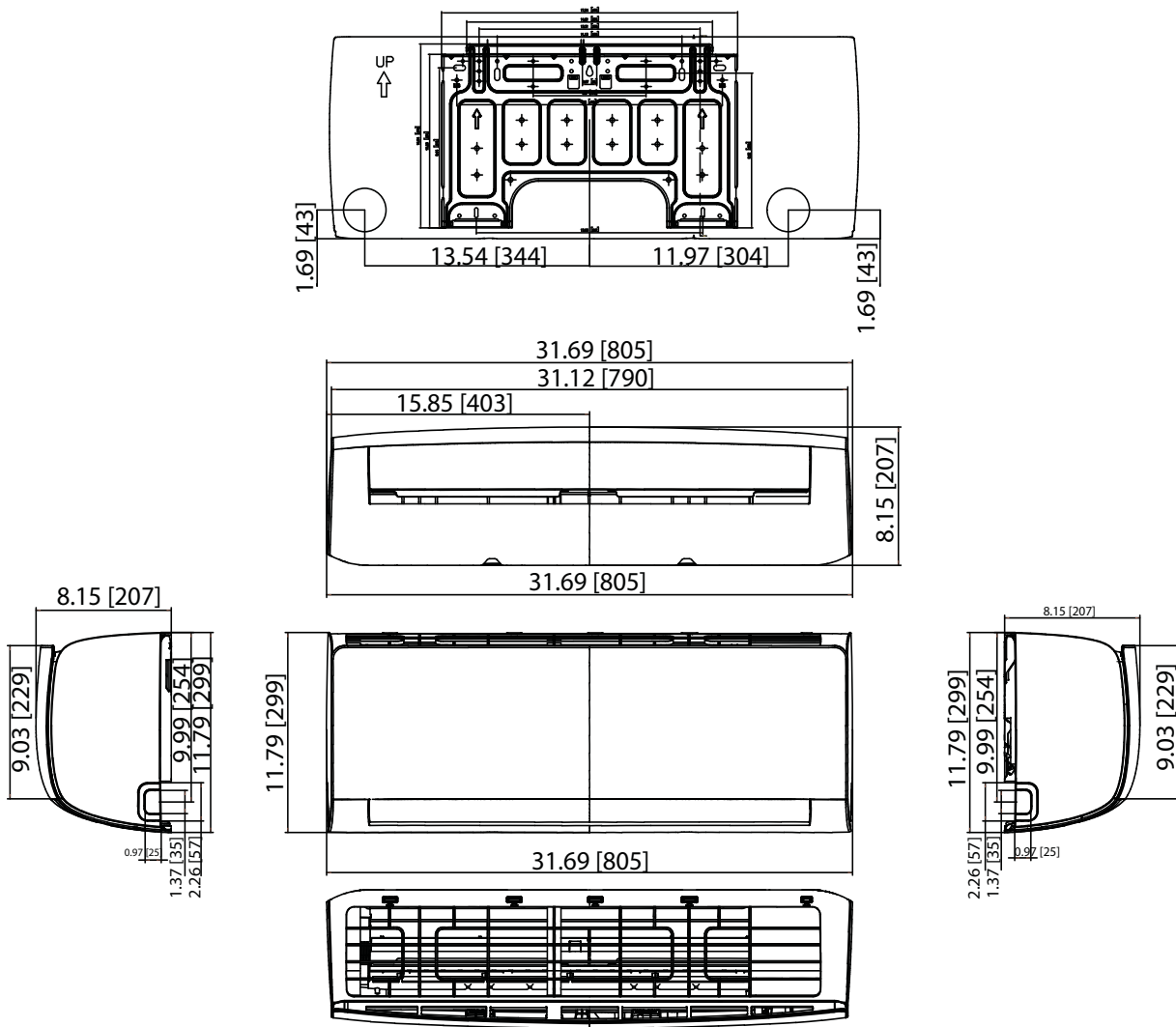


Fig. 3 – 9K and 12K

DIMENSIONS (CONT)

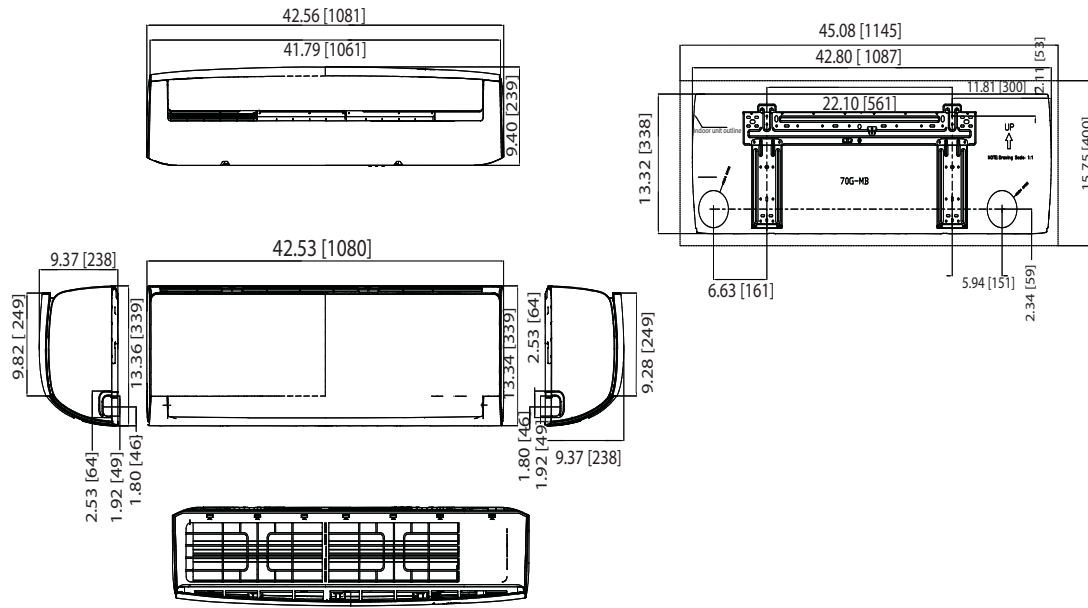


Fig. 4 – 18K and 24K

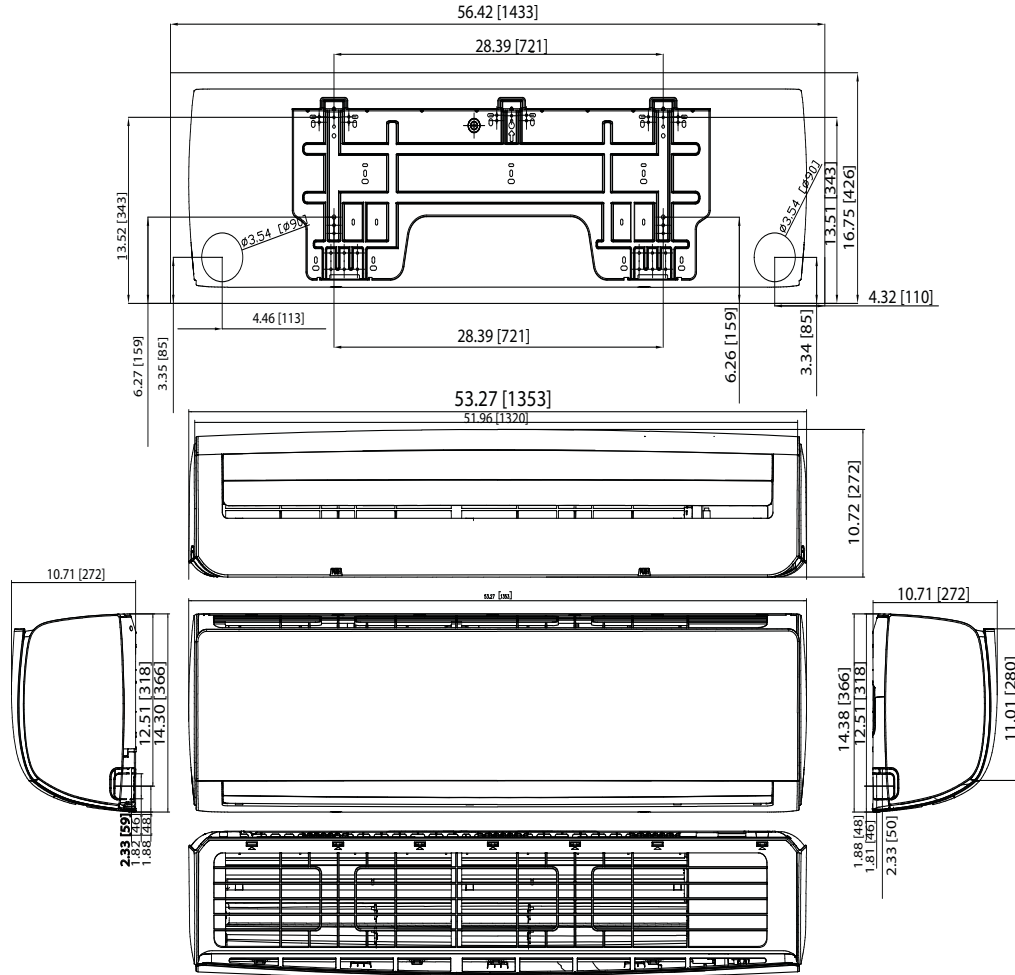


Fig. 5 – 30K and 36K

CLEARANCES

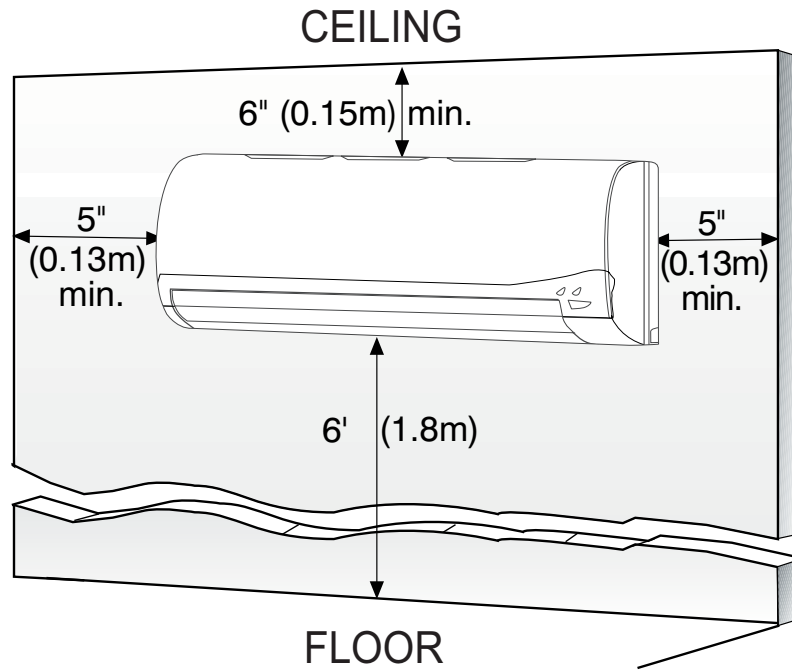


Fig. 6 – Indoor Unit Clearance

NOTE: The top clearance recommended for proper return airflow is 5.9 in (15 cm). Reduction of this clearance may decrease unit performance. This may be reduced to 3.2 in (80 mm) as long as the right and left clearances are achieved.

SPECIFICATIONS

| HEAT PUMP | | | | | | | | | | |
|----------------------------|--|--------------|---------------------------------------|-----------------|-----------------|-----------------|-----------------|-----------------|-----------------|-----------------|
| System | Size | | 9K | 12K | 9K | 12K | 18K | 24K | 30K | 36K |
| | Indoor Model | | DLFSAH09XAJ | DLFSAH12XAJ | DLFSAH09XAK | DLFSAH12XAK | DLFSAH18XAK | DLFSAH24XAK | DLFSAH30XAK | DLFSAH36XAK |
| Electrical | Voltage, Phase, Cycle | V/Ph/Hz | 115-1-60 | 115-1-60 | 208/230-1-60 | 208/230-1-60 | 208/230-1-60 | 208/230-1-60 | 208/230-1-60 | 208/230-1-60 |
| | Power Supply | | Indoor unit powered from outdoor unit | | | | | | | |
| | MCA | A. | 0.3 | 0.3 | 0.2 | 0.2 | 0.22 | 0.25 | 0.5 | 0.5 |
| Controls | Wireless Remote Controller (°F/°C Convertible) | | Standard | Standard | Standard | Standard | Standard | Standard | Standard | Standard |
| | Wired Remote Controller (°F/°C Convertible) | | Optional | Optional | Optional | Optional | Optional | Optional | Optional | Optional |
| Operating Range | Cooling Indoor DB Min – Max | °F (°C) | 62~90 (17~32) | 62~90 (17~32) | 62~90 (17~32) | 62~90 (17~32) | 62~90 (17~32) | 62~90 (17~32) | 62~90 (17~32) | 62~90 (17~32) |
| | Heating Indoor DB Min – Max | °F (°C) | 32~86 (0~30) | 32~86 (0~30) | 32~86 (0~30) | 32~86 (0~30) | 32~86 (0~30) | 32~86 (0~30) | 32~86 (0~30) | 32~86 (0~30) |
| Piping | Pipe Connection Size – Liquid | in (mm) | 1/4 (6.35) | 1/4 (6.35) | 1/4 (6.35) | 1/4 (6.35) | 1/4 (6.35) | 3/8 (9.52) | 3/8 (9.52) | 3/8 (9.52) |
| | Pipe Connection Size – Suction | in (mm) | 3/8 (9.52) | 1/2 (12.7) | 3/8 (9.52) | 1/2 (12.7) | 1/2 (12.7) | 5/8 (16) | 5/8 (16) | 5/8 (16) |
| Indoor Coil | Face Area (sq. ft.) | Sq. Ft. | 1.9 | 1.9 | 1.9 | 1.9 | 3.0 | 3.0 | 4.2 | 4.2 |
| | No. Rows | | 2 | 2 | 2 | 2 | 2 | 2 | 3 | 3 |
| | Fins per inch | | 19 | 19 | 19 | 19 | 19 | 19 | 19 | 19 |
| | Circuits | | 2 | 2 | 2 | 2 | 4 | 4 | 7 | 7 |
| Indoor | Unit Width | in (mm) | 31.89 (810) | 31.89 (810) | 31.89 (810) | 31.89 (810) | 42.91 (1090) | 42.91 (1090) | 53.15 (1350) | 53.15 (1350) |
| | Unit Height | in (mm) | 11.81 (300) | 11.81 (300) | 11.81 (300) | 11.81 (300) | 13.31 (338) | 13.31 (338) | 14.37 (365) | 14.37 (365) |
| | Unit Depth | in (mm) | 7.87 (200) | 7.87 (200) | 7.87 (200) | 7.87 (200) | 9.25 (235) | 9.25 (235) | 10.71 (272) | 10.71 (272) |
| | Net Weight | lbs (kg) | 18.7 (8.5) | 18.7 (8.5) | 18.3 (8.3) | 18.3 (8.3) | 29.8 (13.5) | 29.8 (13.5) | 46.3 (21) | 46.3 (21) |
| | Number of Fan Speeds | | 4 | 4 | 4 | 4 | 4 | 4 | 4 | 4 |
| | Airflow (lowest to highest) | CFM | 159/254/295/324 | 159/254/295/324 | 159/253/294/324 | 147/235/294/324 | 353/500/618/647 | 324/471/618/647 | 441/618/882/912 | 441/618/882/912 |
| | Sound Pressure (lowest to highest) | dB(A) | 24.9/33/39.9 | 25.3/32.6/39.1 | 24.7/32.1/39.8 | 26.1/33/41 | 33.9/41.7/47 | 34.8/42.9/49.1 | 33/44/51 | 33/44/51 |
| | Air throw Data | ft (m) | 21.75 (6.63) | 22.93 (6.99) | 21.75 (6.63) | 22.93 (6.99) | 24.93 (7.6) | 28.54 (8.7) | 49.2 (15) | 49.2 (15) |
| | Moisture Removal | Pint/h (L/h) | 1.6 (0.78) | 3.3 (1.56) | 1.5 (0.7) | 3.2 (1.51) | 2.9 (1.38) | 5.6 (2.67) | 6.5 (3.09) | 8.8 (4.17) |
| Field Drain Pipe Size O.D. | in (mm) | 0.625 (16) | 0.625 (16) | 0.625 (16) | 0.625 (16) | 0.625 (16) | 0.625 (16) | 0.625 (16) | 0.625 (16) | |

Performance may vary based on the compatible outdoor units. See respective pages for performance data.

COMPATIBILITY

| Indoor Unit | DLFSAH09XA | DLFSAH12XAJ | DLFSAH09XA | DLFSAH12XA | DLFSAH18XA | DLFSAH24XA | DLFSAH30XA | DLFSAH36XA | |
|--------------------------|--------------|--------------|--------------|--------------|--------------|--------------|--------------|--------------|--|
| Outdoor Unit Single Zone | DLCSRAH09AAJ | DLCSRAH12AAJ | DLCSRAH09AAK | DLCSRAH12AAK | DLCSRAH18AAK | DLCSRAH24AAK | DLCSRAH30AAK | DLCSRAH36AAK | |
| Outdoor Unit Multi-zone | | | DLCMRAH18BAK | | | | | | |
| | | | DLCMRAH27CAK | | | | | | |
| | | | DLCMRAH36DAK | | | | | | |
| | | | DLCMRAH48EAK | | | | | | |

APPLICATION DATA

UNIT SELECTION

Select equipment that either matches or supports slightly more than the anticipated peak load. This provides better humidity control, fewer unit cycles, and less part-load operation.

For units used in spaces with high sensible loads, base equipment selection on unit sensible load, not on total anticipated load. Adjust for anticipated room wet bulb temperature to avoid undersizing the equipment.

UNIT MOUNTING (INDOOR)

Refer to the unit's installation instructions for further details.

Unit leveling – For reliable operation, units should be level in all planes.

Clearance – Provide adequate clearance for airflow (see Fig. 6).

Unit location – Select a location that provides the best air circulation for the room. These units should be positioned as high as possible on the wall for the best air circulation. The unit return and discharge should not be obstructed by furniture, curtains, or anything that may cause unit short cycling or air recirculation. Place the unit in the middle of the selected wall (if possible). Use an outside wall, if available, to make piping easier, and place the unit so it faces the normal location of room occupants.

NOTE: Reference the product installation instructions for more information.

UNIT MOUNTING (OUTDOOR)

Refer to the unit's installation instructions for further details.

Do not install the indoor or outdoor units in a location with special environmental conditions. For those applications, contact your ductless representative.

MOUNTING TEMPLATE

Refer to the unit's installation instructions for further details.

The fan coil units are furnished with mounting to mark the location of the wiring and the refrigeration line hole locations.

SUPPORT

Adequate support must be provided to support the weight of all the fan coils. Refer to the *Physical Data* section for fan coil weights and the base unit dimensional drawings for the mounting bracket locations.

SYSTEM OPERATING CONDITIONS

| OPERATING RANGE MIN / MAX °F (°C) | | |
|--------------------------------------|-------------------|------------------|
| | COOLING | HEATING |
| Indoor DB | 63 / 90 (17 / 32) | 32 / 86 (0 / 30) |
| Indoor WB | 59 / 84 (15 / 29) | |

WIRING

All wires must be sized per NEC (National Electrical Code) or CEC (Canadian Electrical Code) and local codes. Use Electrical Data table MCA (minimum circuit amps) and MOCP (maximum over current protection) to correctly size the wires and the disconnect fuse or breakers respectively.

Recommended Connection Method for Power and Communication Wiring:

The main power is supplied to the outdoor unit. The field supplied 14/3 stranded wire with ground with a 600 volt insulation rating, power/communication wiring from the outdoor unit to indoor unit consists of four (4) wires and provides the power for the indoor unit. Two wires are line voltage AC power, one is communication wiring (S) and the other is a ground wire. Wiring between indoor and outdoor unit is polarity sensitive. The use of BX wire is NOT recommended.

If installed in a high Electromagnetic field (EMF) area and communication issues exists, a 14/2 stranded shielded wire can be used to replace L2/N and (S) between outdoor unit and indoor unit landing the shield onto ground in the outdoor unit only.

CAUTION

EQUIPMENT DAMAGE HAZARD

Failure to follow this caution may result in equipment damage or improper operation.

Wires should be sized based on NEC and local codes.

CAUTION

EQUIPMENT DAMAGE HAZARD

Failure to follow this caution may result in equipment damage or improper operation.

Be sure to comply with local codes while running wire from the indoor unit to the outdoor unit.

Every wire must be connected firmly. Loose wiring may cause the terminal to overheat or result in unit malfunction. A fire hazard may also exist. Ensure all wiring is tightly connected.

No wire should touch the refrigerant tubing, compressor or any moving parts.

Disconnecting means must be provided and shall be located within sight and readily accessible from the air conditioner.

Connecting cable with conduit shall be routed through the hole in the conduit panel.

DRAIN CONNECTIONS

Install drains to meet the local sanitation codes. If adequate gravity drainage cannot be provided, the unit should be equipped with an accessory condensate pump. The high wall fan coil unit condensate pumps have a maximum lift of 10' (3.05m) for 9k and 12k units and 25' (7.62m) for 18k and 30k units.

See the physical dimension tables for the drain sizes.

NOTE: High wall fan coil units have internal condensate traps. A trap is not required.

Drain connections may be routed through alternate locations on most fan coils (see Fig. 7).

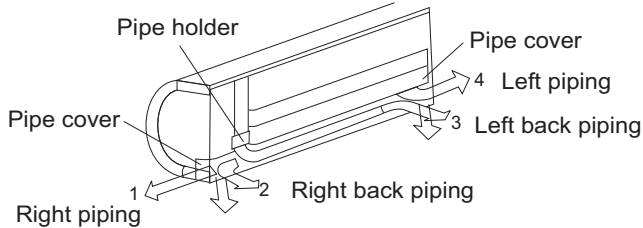


Fig. 7 – Piping Locations

CONTROL SYSTEM

The indoor unit is equipped with a microprocessor control to perform two functions:

- Provide safety for the system
- Control the system and provide optimum levels of comfort and efficiency

The main microprocessor is located on the control board of the fan coil unit (outdoor units also have a microprocessor) with thermistors located in the fan coil air inlet and on the indoor coil. Heat pump units have a thermistor on the outdoor coil. These thermistors monitor the system operation to maintain the unit within acceptable parameters and controls the operating mode.

AIR FLOW DATA

| SIZE | | 9K | 12K | 9K | 12K | 18K | 24K | 30K | 36K |
|--------------|--------|--------|--------|------------|------------|------------|------------|------------|------------|
| | | (115V) | (115V) | (208–230V) | (208–230V) | (208–230V) | (208–230V) | (208–230V) | (208–230V) |
| Indoor (CFM) | Turbo | 324 | 324 | 324 | 324 | 647 | 647 | 912 | 912 |
| | High | 295 | 295 | 294 | 294 | 618 | 618 | 882 | 882 |
| | Medium | 254 | 254 | 253 | 253 | 500 | 471 | 618 | 618 |
| | Low | 159 | 159 | 159 | 147 | 353 | 324 | 441 | 441 |

AIR THROW DATA

| SIZE | MAX APPROXIMATE AIR THROW ft. (m) | APPROXIMATE AIR THROW ft. (m) RANGE |
|----------------|-----------------------------------|-------------------------------------|
| 9K (115V) | 21.75 (6.63) | 1.64~21.75 (0.5~6.63) |
| 12K (115V) | 22.93 (6.99) | 1.64~22.93 (0.5~6.99) |
| 9K (208–230V) | 21.75 (6.63) | 1.64~21.75 (0.5~6.63) |
| 12K (208–230V) | 22.93 (6.99) | 1.64~22.93 (0.5~6.99) |
| 18K (208–230V) | 24.93 (7.6) | 1.64~24.93 (0.5~7.6) |
| 24K (208–230V) | 28.54 (8.7) | 1.64~28.54 (0.5~8.7) |
| 30K (208–230V) | 49.2 (15) | 1.64~49.2 (0.5~25) |
| 36K (208–230V) | 49.2 (15) | 1.64~49.2 (0.5~25) |

AIR MOISTURE

| SIZE | | 9K | 12K | 9K | 12K | 18K | 24K | 30K | 36K |
|-----------------------|---------|----------|----------|--------------|--------------|--------------|--------------|--------------|--------------|
| Voltage, Phase, Cycle | V/Ph/Hz | 115–1–60 | 115–1–60 | 208/230–1–60 | 208/230–1–60 | 208/230–1–60 | 208/230–1–60 | 208/230–1–60 | 208/230–1–60 |
| Dehumidifying Volume | L/h | 0.78 | 1.56 | 0.7 | 1.51 | 1.38 | 2.67 | 3.09 | 4.17 |
| Dehumidifying Volume | PINT/hr | 1.6 | 3.3 | 1.5 | 3.2 | 2.9 | 5.6 | 6.5 | 8.8 |

WIRELESS REMOTE CONTROLLER



Fig. 8 – Wireless remote controller

1. A wireless remote control is supplied for system operation for system operation of all high wall units.
2. Each battery operated wireless (infrared) remote control may be used to control more than one unit.

WIRED REMOTE CONTROL (OPTIONAL)

P/N **KSACN0101AAA** (Timer Function) or **KSACN0401AAA** (7 day programmable)

1. Optional wired remote controller used for system operation of all high wall units.
2. Kit includes a wired remote controller and a connecting cable.

NOTE: Extension wire available through RCD (**KSACN0101AAA Part Number: 17401204001601; KSACN0401AAA Part Number: 17401204000769**).

3. Connect with wire terminal between remote controller and indoor unit.
4. Display in °F or °C and temperature increments every 1°F or every 1°C.



Fig. 9 – Wired Remote Control

SOUND PRESSURE

| SIZE | | 9K | 12K | 9K | 12K | 18K | 24K | 30K | 36K | |
|--|--|--------|----------|------------|------------|------------|------------|------------|------------|----------|
| | | (115V) | (115V) | (208-230V) | (208-230V) | (208-230V) | (208-230V) | (208-230V) | (208-230V) | |
| Indoor Sound Pressure cooling mode (at different speeds) | | dBa | 42/34/27 | 42/34/27 | 42/34/27 | 42/34/27 | 46.5/40/33 | 50/45/39 | 50/45/39 | 50/45/39 |
| Indoor Sound Pressure heating mode (at different speeds) | | dBa | 40/33/26 | 41/34/27 | 40/33/26 | 41/34/27 | 45/39/32 | 47/44/38 | 47/44/38 | 47/44/38 |

ELECTRICAL DATA

| SIZE | INDOOR FAN | | | MAX FUSE CB AMP |
|------|--------------|------|-------|--|
| | V-Ph-Hz | FLA | HP | |
| 9K | 115-1-60 | 0.30 | 0.027 | Refer to outdoor unit installation instructions – Indoor unit powered by the outdoor unit |
| 12K | | 0.30 | 0.027 | |
| 9K | 208/230-1-60 | 0.20 | 0.027 | |
| 12K | | 0.20 | 0.027 | |
| 18K | | 0.22 | 0.078 | |
| 24K | | 0.25 | 0.078 | |
| 30K | | 0.50 | 0.078 | |
| 36K | | 0.50 | 0.078 | |

LEGEND

FLA – Full Load Amps

FAN AND MOTOR SPECIFICATIONS

| SIZE | | 9K | 12K | 9K | 12K | 18K | 24K | 30K | 36K |
|------------------|------------------|----------------------------|----------------------------|----------------------------|----------------------------|----------------------------|----------------------------|----------------------------|----------------------------|
| | | (115V) | (115V) | (208-230V) | (208-230V) | (208-230V) | (208-230V) | (208-230V) | (208-230V) |
| INDOOR FAN | material | Acrylontrile Styrene +30%G | Acrylontrile Styrene +30%G | Acrylontrile Styrene +30%G | Acrylontrile Styrene +30%G | Acrylontrile Styrene +30%G | Acrylontrile Styrene +30%G | Acrylontrile Styrene +30%G | Acrylontrile Styrene +30%G |
| | Type | GL-94*605-N | GL-94*605-N | GL-94*605-N | GL-94*605-N | GL-108*818 | GL-108*818 | GL-118*1028-I | GL-118*1028-I |
| | Diameter | In (mm) 3.7 (94) | 3.7 (94) | 3.7 (94) | 3.7 (94) | 4.25 (108) | 4.25 (108) | 4.64 (118) | 4.64 (118) |
| | Height | In (mm) 23.8 (605) | 23.8 (605) | 23.8 (605) | 23.8 (605) | 32.8 (818) | 32.8 (818) | 40.47 (1028) | 40.47 (1028) |
| INDOOR FAN MOTOR | Model | ZKFP-20-8-113 | ZKFP-20-8-113 | ZKFP-20-8-6-7 | ZKFP-20-8-6-7 | ZKFP-58-8-1 | ZKFP-58-8-1 | ZKFP-58-8-1 | ZKFP-58-8-1 |
| | Type | DC | DC | DC | DC | DC | DC | DC | DC |
| | Phase | 1 | 1 | 1 | 1 | 1 | 1 | 1 | 1 |
| | FLA | 0.3 | 0.3 | 0.2 | 0.2 | 0.22 | 0.25 | 0.5 | 0.5 |
| | Insulation class | E | E | E | E | E | E | E | E |
| | Safe class | IP20 | IP20 | IPX4 | IPX4 | IP40 | IP40 | IP40 | IP40 |
| | Input | W 65 | 65 | 50 | 50 | 125 | 125 | 125 | 125 |
| | Output | W 20 | 20 | 20 | 20 | 60 | 60 | 60 | 60 |
| | Range of current | Amps 0.3±10% | 0.3±10% | 0.2±10% | 0.2±10% | 0.22±10% | 0.25±10% | 0.5±10% | 0.5±10% |
| | Rated current | Amps 0.3 | 0.3 | 0.2 | 0.2 | 0.22 | 0.25 | 0.5 | 0.5 |
| | Rated HP | HP 0.027 | 0.027 | 0.027 | 0.027 | 0.078 | 0.078 | 0.078 | 0.078 |
| | Speed | rev/min 1120/1000/700 | 1120/1000/700 | 1120/1000/700 | 1120/1000/700 | 1080/900/700 | 1080/900/700 | 1080/900/700 | 1080/900/700 |
| | Rated RPM | rev/min 1800 | 1800 | 1800 | 1800 | 1660 | 1660 | 1660 | 1660 |
| Max. input | W 65.8 | 65.8 | 70 | 70 | 125 | 125 | 125 | 125 | |

WIRING DIAGRAMS

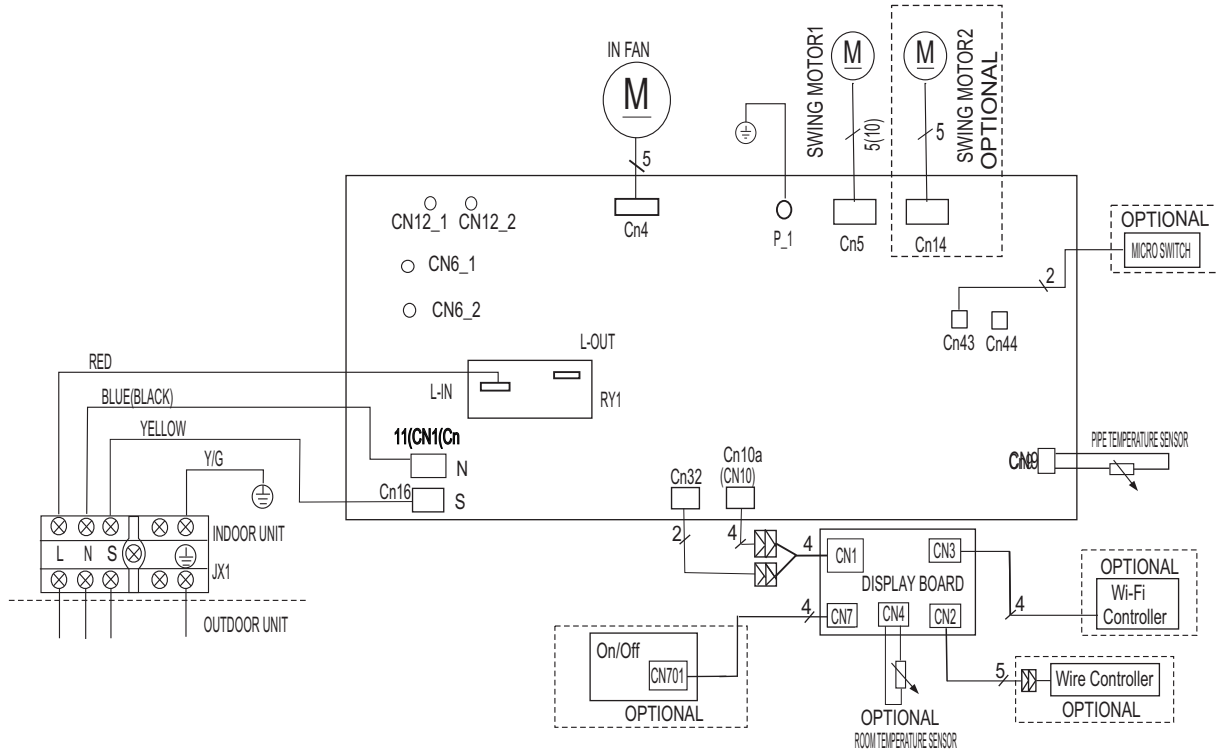


Fig. 10 – Wiring Diagram Sizes 09–12 (115V / 208–230V)

INDOOR UNIT CONTROL BOARD

| INPUT or OUTPUT VALUE | |
|-----------------------|--|
| L_IN | Power Voltage : AC 115V / 230V |
| CN11 | Power Voltage : AC115V / 230V |
| CN16 | Relative to the N terminal voltage : DC 24V |
| CN15 | Maximum voltage : DC5V |
| CN4 | Indoor fan interface, Maximum voltage : DC310V |
| CN5 | Stepper motor interface, Maximum voltage between the lines : DC12V |
| P_1 | Ground |
| CN8 | Room temperature sensor interface, maximum voltage : DC5V |
| CN9 | Pipe temperature sensor interface, maximum voltage : DC5V |
| CN10A | Display interface, maximum voltage between the lines : DC5V |

WIRING DIAGRAMS (CONTINUED)

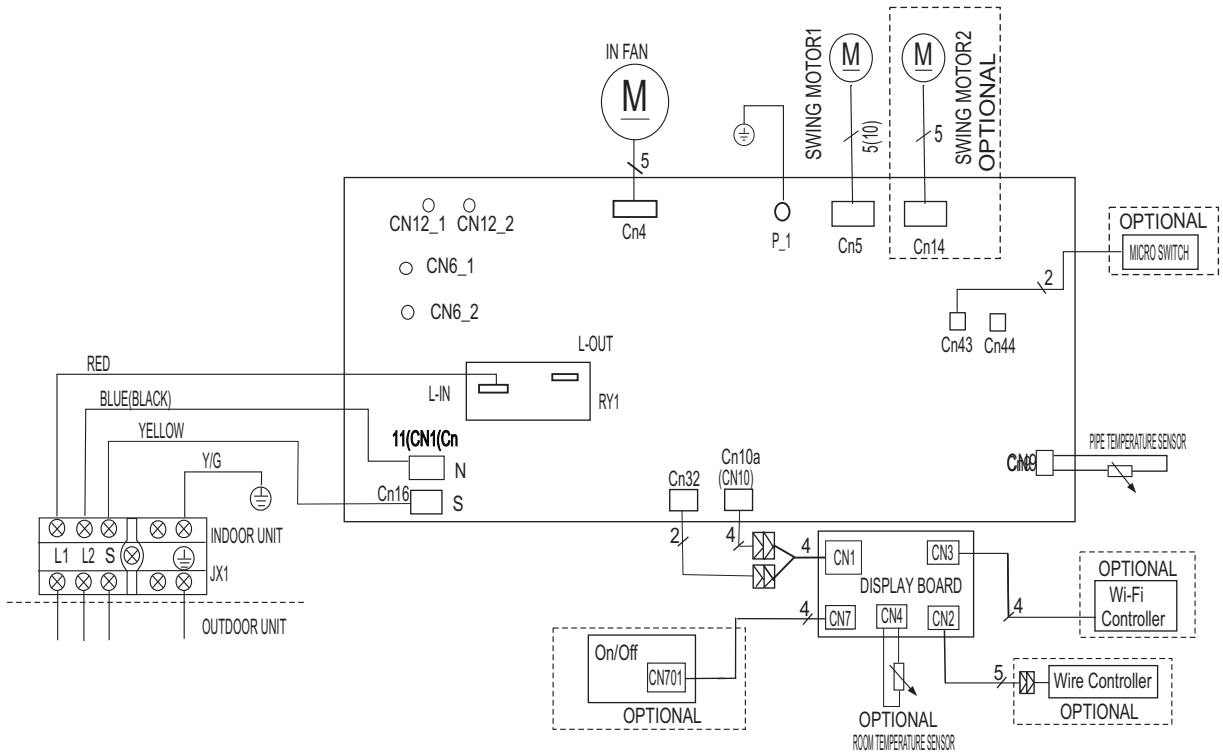


Fig. 11 – Wiring Diagram Size 18, 24 (208–230V)

INDOOR UNIT CONTROL BOARD

| INPUT or OUTPUT VALUE | |
|-----------------------|---|
| L_IN | Power Voltage : AC 230V |
| CN11 | Power Voltage : AC230V |
| CN16 | Relative to the N terminal voltage : DC 24V |
| CN15 | Maximum voltage : DC5V |
| CN4 | Indoor fan interface,Maximum voltage : DC310V |
| CN5 | Stepper motor interface,Maximum voltage between the lines : DC12V |
| P_1 | Ground |
| CN8 | Room temperature sensor interface,maximum voltage : DC5V |
| CN9 | Pipe temperature sensor interface,maximum voltage : DC5V |
| CN10A | Display interface,maximum voltage between the lines : DC5V |

WIRING DIAGRAMS (CONTINUED)

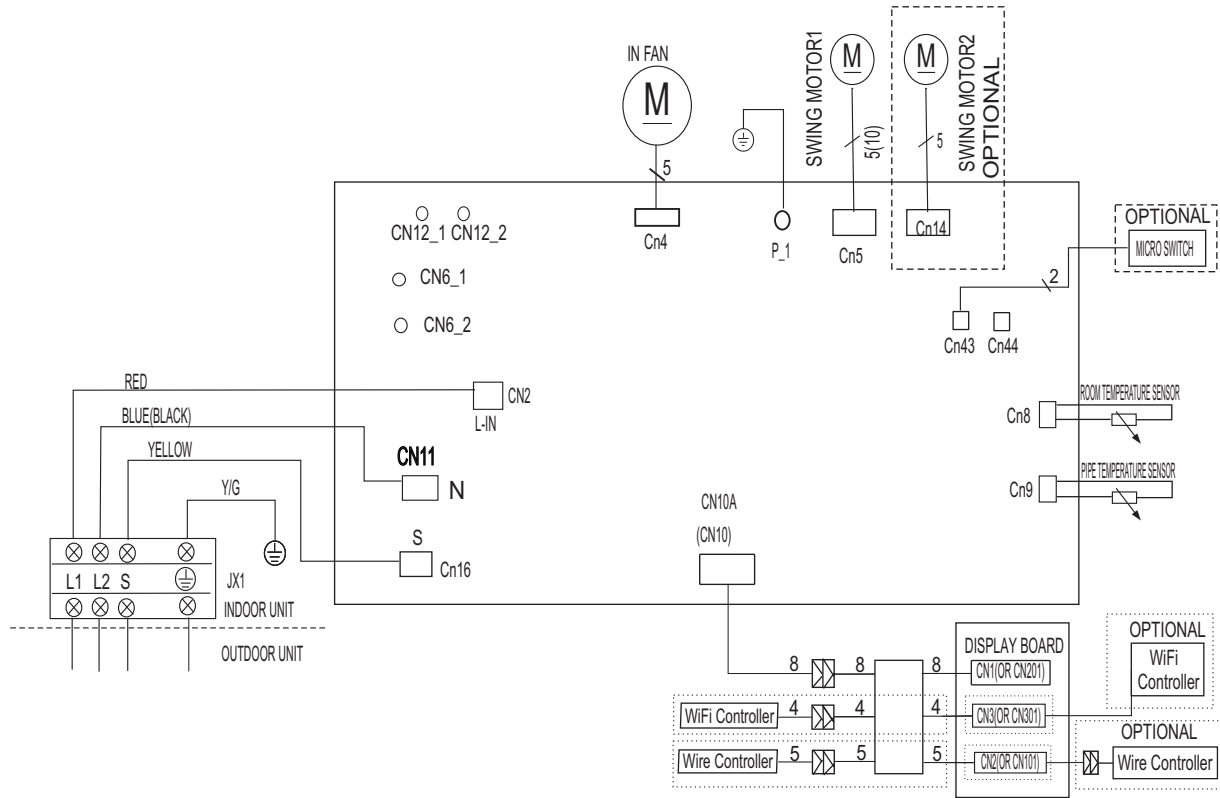


Fig. 12 – Wiring Diagram Size 30 and 36 (208–230V)

INDOOR UNIT CONTROL BOARD

| INPUT or OUTPUT VALUE | |
|-----------------------|---|
| L_IN | Power Voltage : AC 230V |
| CN11 | Power Voltage : AC230V |
| CN16 | Relative to the N terminal voltage : DC 24V |
| CN15 | Maximum voltage : DC5V |
| CN4 | Indoor fan interface,Maximum voltage : DC310V |
| CN5 | Stepper motor interface,Maximum voltage between the lines : DC12V |
| P_1 | Ground |
| CN8 | Room temperature sensor interface,maximum voltage : DC5V |
| CN9 | Pipe temperature sensor interface,maximum voltage : DC5V |
| CN10A | Display interface,maximum voltage between the lines : DC5V |

GUIDE SPECIFICATIONS

INDOOR WALL-MOUNTED DUCTLESS UNITS

Size Range: 3/4 to 3 Ton Nominal Cooling and Heating Capacity

Model Number: DLFSHA

PART 1 – GENERAL

1.01 System Description

Indoor, wall-mounted, direct-expansion fan coils are matched with the heat pump outdoor unit.

1.02 Agency Listings

Unit shall be rated per AHRI Standards 210/240 and listed in the AHRI directory as a matched system.

1.03 Delivery, Storage, And Handling

Units shall be stored and handled per the unit manufacturer's recommendations.

1.04 Warranty (For Inclusion By Specifying Engineer)

PART 2 – PRODUCTS

2.01 Equipment

A. General: Indoor, direct-expansion, wall-mounted fan coil

Unit shall be complete with a cooling/heating coil, fan, fan motor, piping connectors, electrical controls, microprocessor control system, and integral temperature sensing. Unit shall be furnished with an integral wall mounting bracket and mounting hardware.

B. Unit Cabinet:

Cabinet discharge and inlet grilles shall be attractively styled, high-impact polystyrene. Cabinet shall be fully insulated for improved thermal and acoustic performance.

C. Fans:

1. Fan shall be the tangential direct-drive blower type with air intake at the top of the unit and discharge at the bottom front. An automatic, motor-driven vertical air sweep shall be provided as standard equipment.
2. The air sweep operation shall be user selectable. The vertical sweep may be adjusted (using the remote control). The horizontal air direction may be set manually.

D. Coil:

The coil shall be a copper tube with aluminum fins and galvanized steel tube sheets. The fins shall be bonded to the tubes by mechanical expansion and golden hydrophilic pre-coated. A drip pan under the coil shall have a drain connection for the hose attachment to remove condensate. The condensate pan shall have an internal trap.

E. Motors:

Motors shall be open drip-proof, with a permanently lubricated ball bearing. The fan motors shall be 4-speed.

F. Controls:

Controls shall consist of a microprocessor-based control system which shall control space temperature, determine optimum fan speed, and run self diagnostics. The temperature control range shall be from 62°F to 86°F (17°C to 30°C) in increments of 1°F or 1°C, and have 46°F Heating Mode (Heating Setback). The wireless remote controller shall have the ability to act as the temperature sensing location for room comfort.

The unit shall have the following functions as a minimum:

1. An automatic restart after a power failure at the same operating conditions as at the failure.
2. A timer function to provide a minimum 24-hour timer cycle for system Auto Start/Stop.
3. Temperature-sensing controls shall sense return air temperature.
4. Indoor coil freeze protection.
5. Wireless infrared remote control to enter set points and operating conditions.
6. Automatic air sweep control to provide on or off activation of air sweep louvers.
7. Dehumidification mode shall provide increased latent removal capability by modulating the system operation and the set point temperature.
8. Fan-only operation to provide room air circulation when no cooling is required.
9. Diagnostics shall provide continuous checks of unit operation and warn of possible malfunctions. Error messages appear on the unit.
10. Fan speed control is user-selectable: turbo, high, medium, low, or microprocessor controlled automatic operation during all operating modes.
11. Automatic heating-to-cooling changeover in the heat pump mode. Control shall include deadband to prevent rapid mode cycling between heating and cooling.
12. Indoor coil high temperature protection shall be provided to detect excessive indoor discharge temperature when the unit is in the heat pump mode.

G. Filters:

Unit shall have filter track with factory-supplied cleanable filters.

H. Electrical Requirements:

Indoor fan motor to operate on 115V on model sizes 09-12 and on 208-230V on model sizes 09-36, as specified. Power is supplied by the outdoor unit.

I. Operating Characteristics:

The DLFSHA system shall have a minimum SEER (Seasonal Energy Efficiency Ratio) and HSPF at AHRI conditions, as listed on the specifications table.

J. Refrigerant Lines:

All units should have refrigerant lines that can be oriented to connect from the left, right or back of unit. Both refrigerant lines need to be insulated.

K. Special Features (Field Installed):

1. Condensate Pump:
The condensate pump shall remove condensate from the drain pan when gravity drainage cannot be used. The pump shall be designed for quiet operation. The pump shall consist of two parts: an internal reservoir/sensor assembly, and a remote sound-shielded pump assembly. A liquid level sensor in the reservoir shall stop the cooling operation if the liquid level in the reservoir is unacceptable.

