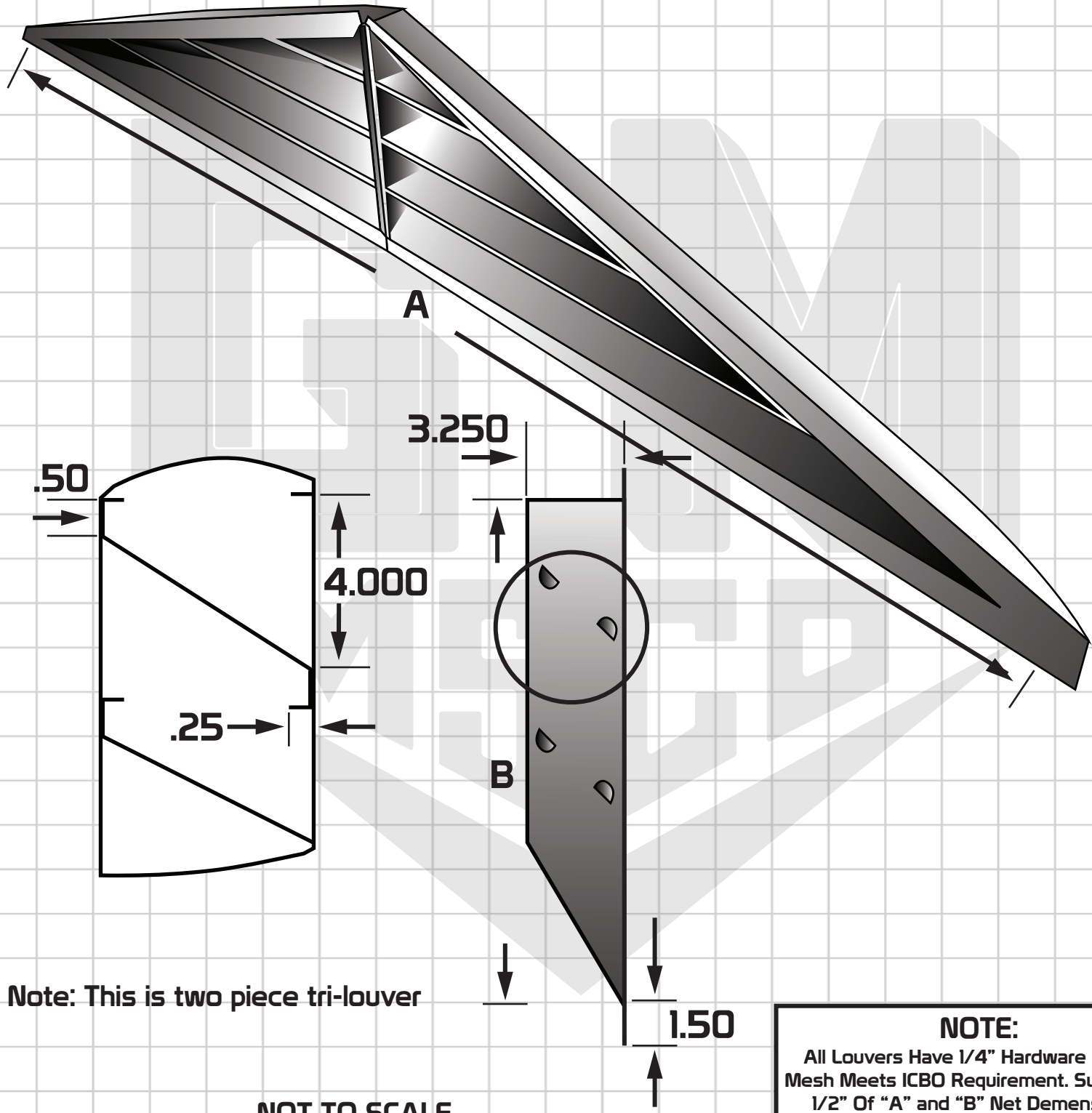


**MODEL:** Triangle Louver  
**ITEM:** TL XX<sup>A</sup> x XX<sup>B</sup>

# SUBMITTAL SHEET

GENERAL METALS MFG  
 2727 W, WELDON AVE.  
 PHOENIX, AZ 85017  
 FAX: 602.277.6039  
 PHONE: 602.264.4815  
 www.generalmetals.com



Note: This is two piece tri-louver

NOT TO SCALE

**NOTE:**  
 All Louvers Have 1/4" Hardware Cloth Mesh Meets ICBO Requirement. Subtract 1/2" Of "A" and "B" Net Demension

**JOB:** \_\_\_\_\_  
**ARCHITECT:** \_\_\_\_\_  
**ENGINEER:** \_\_\_\_\_  
**CONTRACTOR:** \_\_\_\_\_  
**LOCATION:** \_\_\_\_\_

<b>FINISH:</b> _____			
TAG	QTY	WIDTH "A"	HEIGHT "B"