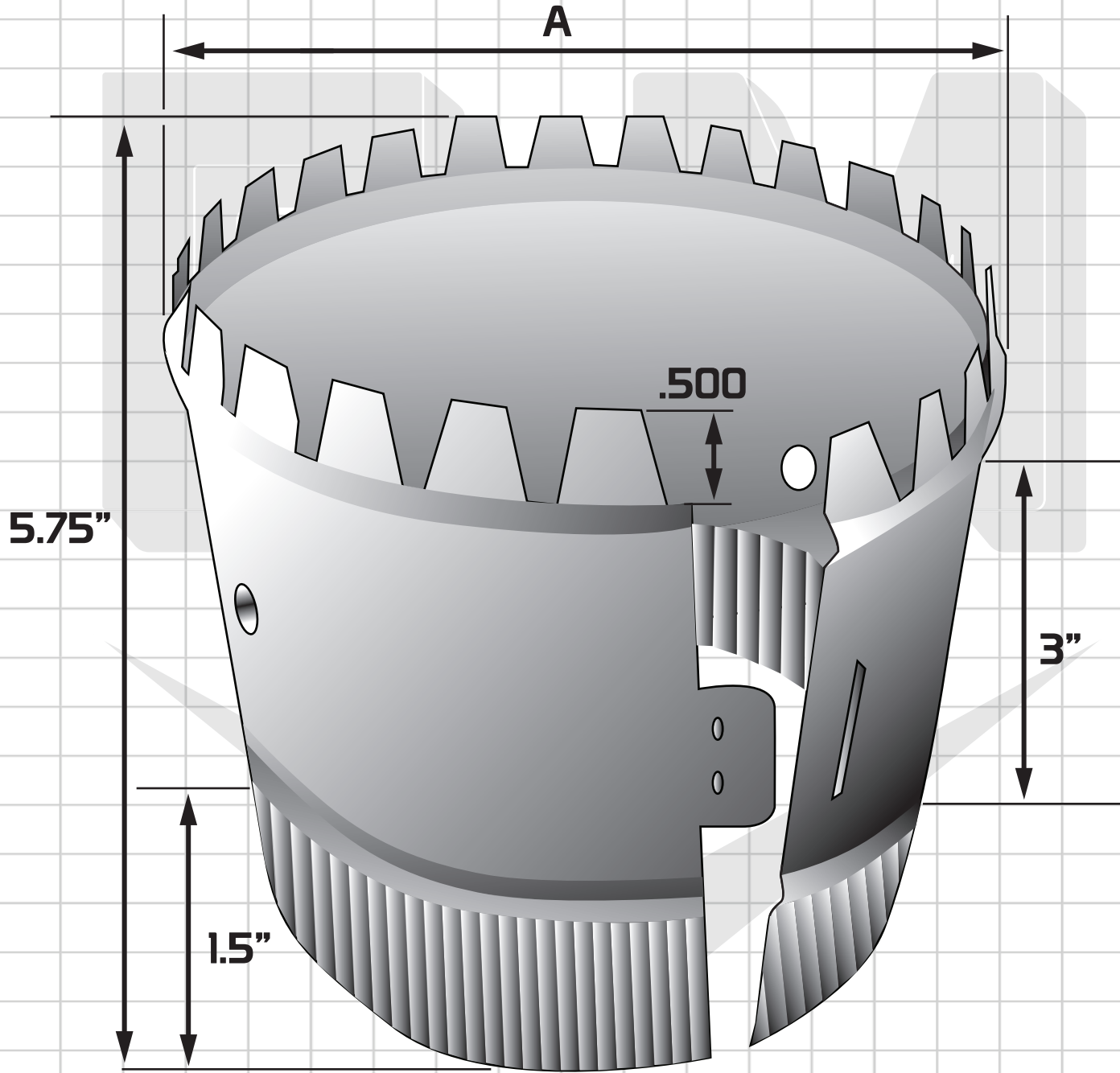


MODEL: Round Start Collar  
ITEM: SC A

# SUBMITTAL SHEET

GENERAL METALS MFG  
2727 W, WELDON AVE.  
PHOENIX, AZ 85017  
FAX: 602.277.6039  
PHONE: 602.264.4815  
www.generalmetals.com



DAMPER PLATE SOLD SEPARATELY

JOB: \_\_\_\_\_  
ARCHITECT: \_\_\_\_\_  
ENGINEER: \_\_\_\_\_  
CONTRACTOR: \_\_\_\_\_  
LOCATION: \_\_\_\_\_

STD. Gauge: 28				
TAG	QTY			