

This document contains classified information.

All individuals are strictly forbidden from any form of disclosure in whole or in part.

Copy and/or distribution without expressed Midea consent is forbidden.

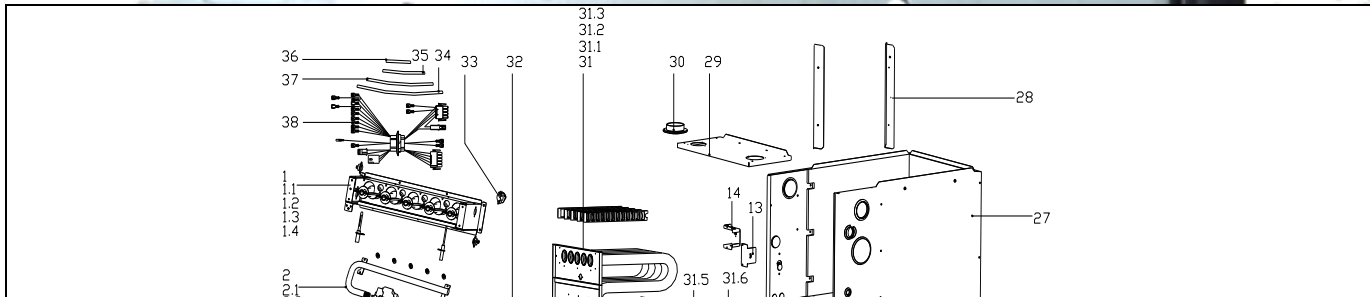
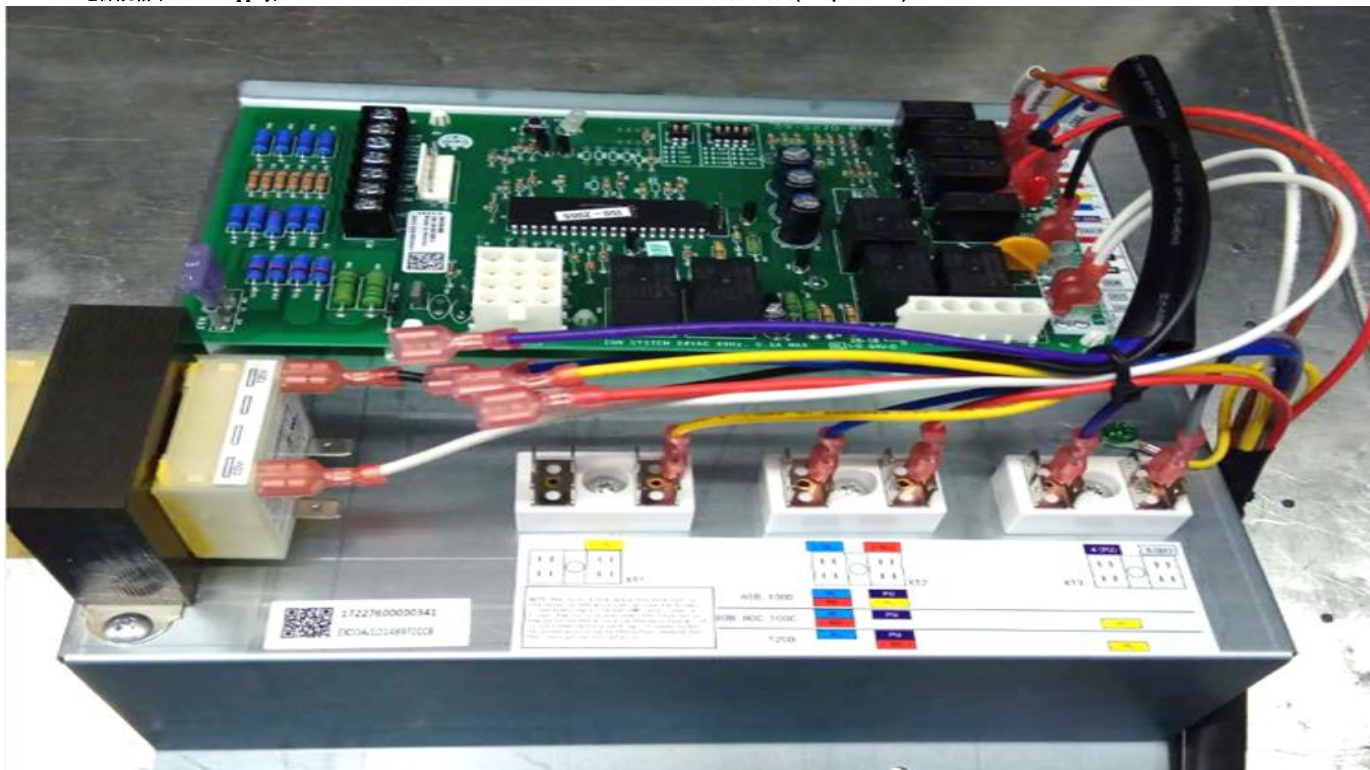
美的中央空调爆炸图 (Midea CAC Exploded view)

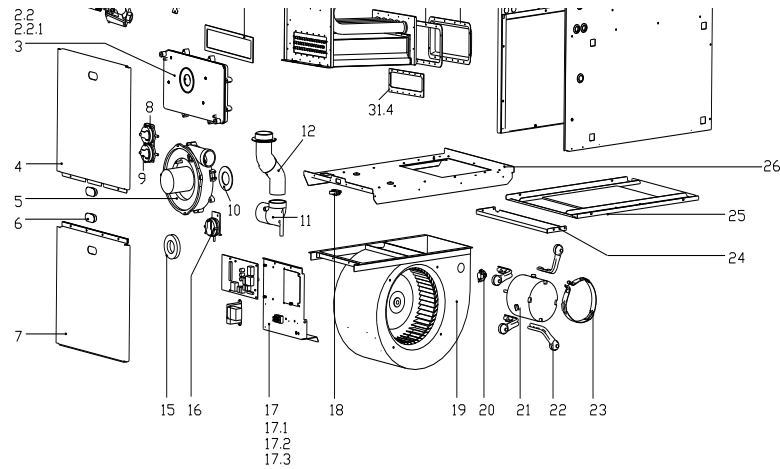
市场型号(Market model): MGH96M100C5A

产品型号(Product model): MGH96M100C5A

产品编码(Product code): 22027610000063

电源规格(Power supply): 115V_1Ph,FREQUENCY_60HZ 导出时间(Output time): 2020-01-18 15:54:29





序号	零部件名称		数量	物料编码	价格	代号	备注
No.	Chinese Name	Part Name	Quantity	BOM Code	Price	Model	Remark
1	燃烧器组件 RoHS MGH93M100	Combustor assembly	1.0	12227600000323		MGH93M100C5A.3	
1.1	温控器(手动复位) (UL) WKQ-	Thermostat	2.0	17400513000045		WKQ-300F	
1.2	点火针 DHZ-ACI1000-18 (用	Firing pin	1.0	17427600000007		DHZ-ACI1000-18	
1.3	特殊传感器 CGQ-TS-PSE-HW1	Flame sensor	1.0	11201006000010		CGQ-TS-PSE-HW1	
1.4	燃烧器 RSQ-11010	Combustor	5.0	17427600000004		RSQ-11010	
2	燃气管组件 RoHS MGH93M100	Gas pipe assembly	1.0	15427600000008		MGH93M100C5A.4	
2.1	燃气阀(CSA)(双级) RQF-36J	Gas valve	1.0	15527600000008		RQF-36J54-214	
2.2	燃气管组件 RoHS MGH93M100	Gas pipe assembly	1.0	15427600000006		MGH93M100C5A.4	
2.2.1	铜喷嘴 RoHS TPZ-45	Copper nozzle	5.0	15527600000001		TPZ-45	
3	接水盒焊接件 RoHS MGH93M0	Drain box weld assembly	1.0	12127600000019		MGH93M080C4A.8	
4	上盖板组件(SB3053) RoHS M	Upper cover assembly	1.0	12227600000166		MGH93M080C4A.6	
5	排烟风机组件 PYFJ-05(0.5A	Exhaust fan components	1.0	17400801000935		PYFJ-05(0.5A.5	
6	长形透明塑料盖 RoHS MGS80	Plastic cover	2.0	12127600000009		MGS80M050A3A-1	
7	下盖板组件(SB3053) RoHS M	Bottom cover assembly	1.0	12227600000167		MGH93M080C4A.7	
8	风压差开关 PW-13(1.1 W C)	Air switch	1.0	17400515000422		PW-13(1.1 W C)	
9	风压差开关 PW-12(0.55 W C)	Air switch	1.0	17400515000421		PW-12(0.55 W C)	
10	排烟风机密封垫 RoHS MGH93	Smoke exhaust fan gasket	1.0	12427600000049		MGH93M060B3A-2	
11	排烟管弯头 RoHS MGH93M060	Smoke exhaust elbow	1.0	12127600000015		MGH93M060B3A-1	
12	排烟管接头组件 RoHS MGH93	Smoke exhaust pipe joint	1.0	12127600000016		MGH93M060B3A.1	
13	接线盒盖 REACH, RoHS MGH96	Junction box cover	1.0	12227600000817		MGH96M060B3A-1	
14	接线盒 REACH, RoHS MGH96M0	Junction box	1.0	12227600000818		MGH96M060B3A-1	
15	排烟孔卡扣 RoHS MGH93M100	Smoke vent buckle	1.0	12127600000367		MGH93M100C5A-1	
16	风压差开关 PW-11(0.25 W C)	Air switch	1.0	17400515000420		PW-11(0.25 W C)	
17	燃气炉电控盒组件 REACH, Ro	E-part box assembly	1.0	17227600000341		MGH96M060B3A.D	
17.1	线性变压器 RoHS TT110-EI6	Transformer	1.0	11203103000197		TT110-EI66-24/	
17.2	燃气炉主控板组件 50M58-40	Gas furnace, Main control	1.0	17127600000168		50M58-400	

17.3	二位接线座(UL) RoHS JXZ-P	terminal block, 2P	3.0	17400401000208		JXZ-P22P-E	
18	门开关 MKG-02	Door switch	1.0	17427600001148		MKG-02	
19	离心风机 RoHS LX-325*285*	Centrifugal fan	1.0	12200102000031		LX-325*285*12.	
20	温控器 REACH, RoHS WKQ-100	Thermostat	2.0	17400513000874		WKQ-100/85F	
21	无刷直流电机 N/A, NA ZKSD-	Brushless DC Motor	1.0	11002015002322		ZKSD-750-10-1	
22	电机支架组件I RoHS UL-KF1	Motor bracket assembly I	4.0	12223000001933		UL-KF160V/X. 2	
23	电机支架 II UL-KF160V/X-2	Motor bracket II	1.0	12223000001993		UL-KF160V/X-2	
24	下支撑板(SB3053) RoHS MGH	Bottom supporting board	1.0	12227600000267		MGH93M080C4A-2	
25	底部密封板组件 REACH, RoHS	Base sealplate assembly	1.0	12227600000819		MGH96M080C4A. 6	
26	中隔板组件 RoHS MGH93M080	Partition board assembly	1.0	12227600000217		MGH93M080C4A. 5	
27	箱体组件 REACH, RoHS MGH96	Cabinet assembly	1.0	12227600000823		MGH96M080C4A. 1	
28	支撑条组件 RoHS MGH93M060	Supporting bar assembly	2.0	12227600000274		MGH93M060B3A. 1	
29	上前盖板组件(SB3053) RoHS	Front cover assembly	1.0	12227600000164		MGH93M080C4A. 1	
30	进气管接头 RoHS MGH93M060	Air inlet pipe joint	1.0	12127600000010		MGH93M060B3A-1	
31	换热器组件 RoHS MGH93M100	Heat exchanger assembly	1.0	15727600000035		MGH93M100C5A. 2	
31.1	一级换热器组件 RoHS MGH93	Primary heat exchanger as	1.0	15727600000013		MGH93M100C5A. 2	
31.2	二级换热器组件 MGH93M100C	Secondary heat exchanger	1.0	15827600000007		MGH93M100C5A. 2	
31.3	扰流片 RoHS MGH93M060B3A.	Spoiler	5.0	12227600000059		MGH93M060B3A. 2	
31.4	换热器玻纤垫 RoHS MGH93M0	Heat exchanger gasket	1.0	12427600000023		MGH93M080C4A. 2	
31.5	集气罩玻纤垫 RoHS MGH93M0	Gas-collecting cover gask	1.0	12427600000031		MGH93M080C4A. 2	
31.6	后集气罩 RoHS MGH93M080C4	Back gas-collecting cover	1.0	12227600000235		MGH93M080C4A. 2	
32	接水盘密封垫 RoHS MGH93M0	Drain pan gasket	1.0	12427600000033		MGH93M080C4A-1	
33	温控器(UL) (60T81 502105)	Temperature controller	1.0	17400513000052		WKQ-150/120F	
34	硅胶管 I RoHS MGH93M060B3	Silicone tube	1.0	12627600000005		MGH93M060B3A-3	
35	硅胶管IV RoHS MGH93M060B3	Silicone tube	2.0	12627600000006		MGH93M060B3A-3	
36	硅胶管 II RoHS MGH93M060B3	Silicone tube	1.0	12627600000007		MGH93M060B3A-3	
37	硅胶管III RoHS MGH93M060B3	Silicone tube	1.0	12627600000009		MGH93M060B3A-3	
38	强电连接线组 REACH, RoHS M	Strong electric cable gro	1.0	17401203016840		MGS96M120D5A. D	