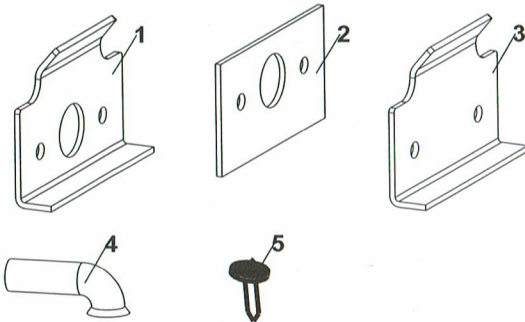


DRAIN KIT OF PTAC INSTALLATION INSTRUCTIONS

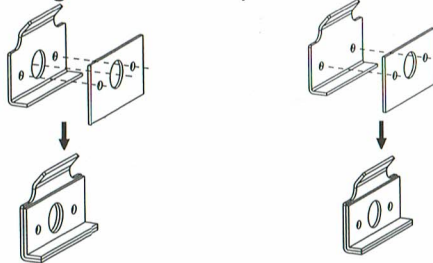
DRAIN KIT PARTS LIST

ITEM	DESCRIPTION	QT'Y	REMARKS
1	COVER PLATE WITH DRAIN OUTLET	1	
2	FOAM GASKET WITH DRAIN OUTLET	2	
3	COVER PLATE	1	
4	TUBE	1	
5	SCREW ST3.9*14(optional)	4	



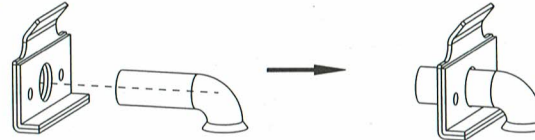
HOW TO INSTALL THE DRAIN KIT

- Attach foam gasket to cover plate as shown below.

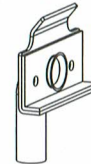


HOW TO INSTALL THE DRAIN KIT (CONTINUED)

- Insert tube into the cover plate with drain outlet as shown below.

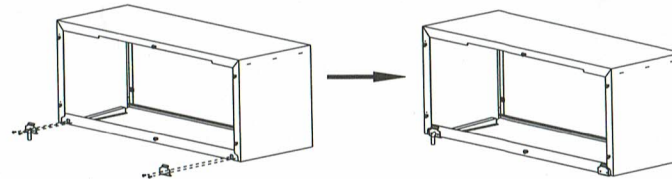


- Rotate the tube to proper position as shown below.



- Install the cover plate with tube to the drain outlet located at the back of the sleeve by using two screws and install the cover plate without tube to the other drain outlet by using two screws as shown below.

NOTE: The cover plate with tube may be placed on either side of the sleeve. Before tightening the screws, make sure the tube's position will allow the sleeve to fit through the wall.



CWO471-PTAC(PSG) 2020001B2826