

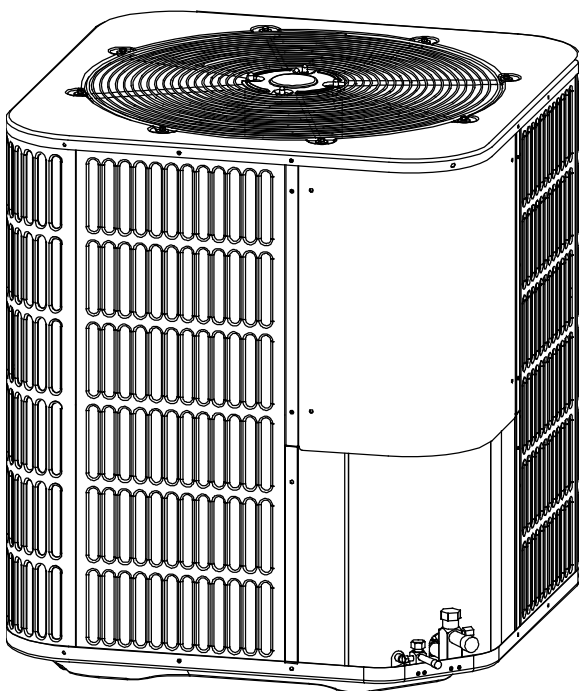


Split System Heat Pump

16M Series

1.5 TO 5 TONS

R410A



Notes: Appearance of unit may vary.

NOMENCLATURE.....	1
PRODUCT SPECIFICATIONS.....	2
COOLING DATA.....	6
AHRI RATINGS.....	34
DIMENSIONS.....	35
LINE SIZING.....	36
WIRING DIAGRAM.....	37
OPTIONAL ACCESSORIES LIST.....	39

Standard Features

- R410A chlorine-free refrigerant
- Service valves with sweat connections
- Internally protection against high temperature motor overload conditions
- Anti-rust: Painted galvanized steel cabinet, 1000 hours' salt spray test
- High quality condenser with inner-groove copper tube and Aluminum fin
- Service valves with sweat connections and easy-access gauge ports
- Multiple system protection:
 1. Factory-installed low pressure switch
 2. Factory-installed suction-line accumulator
 3. High condenser coil temperature protection
 4. Reliable defrost program
- AHRI certified and ETL listed

Cabinet Features

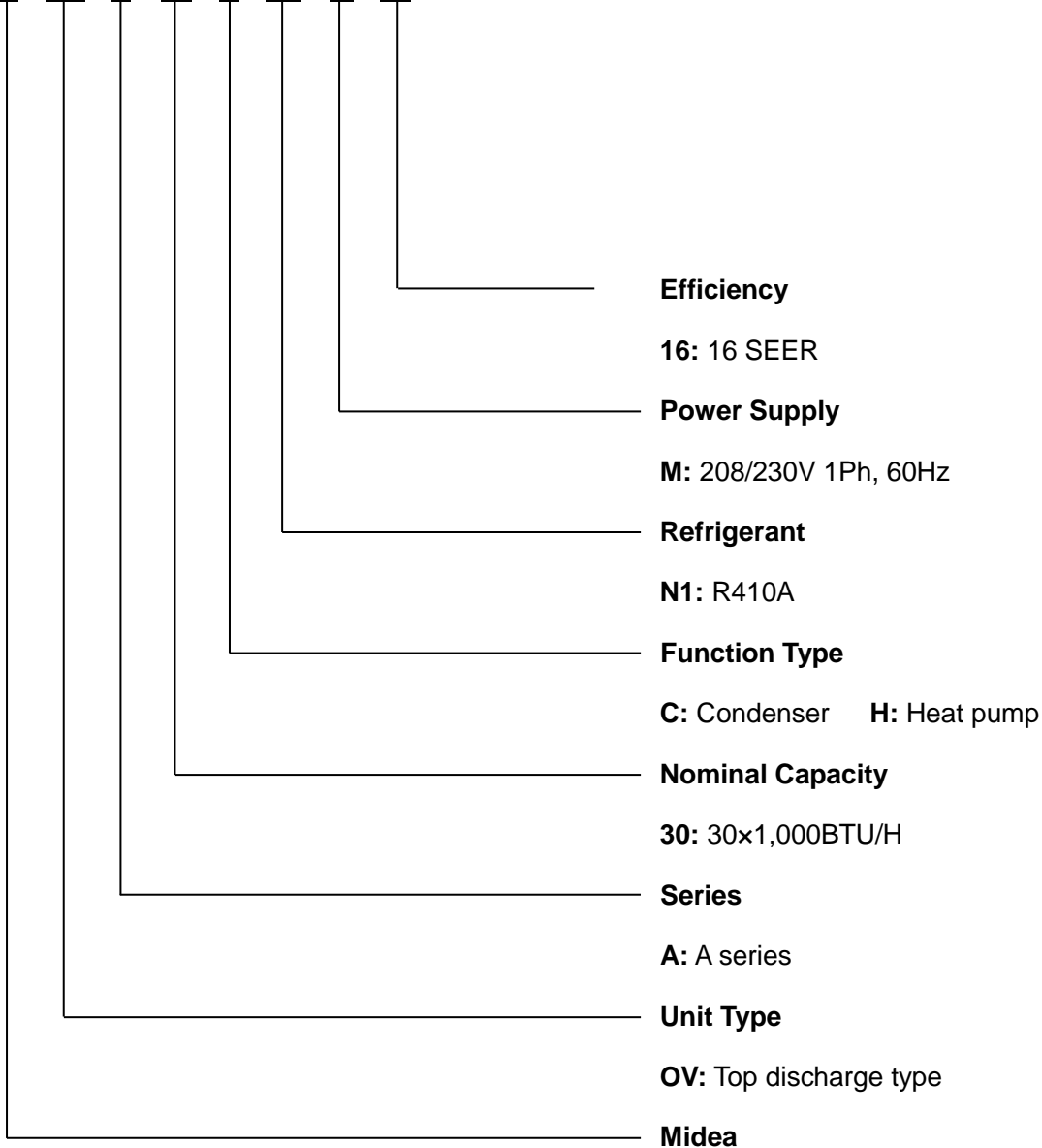
- Unique sound control top design
- Compact design for easy installation and transportation
- Baked-on powder paint finish
- Wind load compliant per Florida Building Code – 2010
- Wire fan discharge grille
- Steel louver coil guard



NOMENCLATURE

MIDEA CONDENSING UNIT NOMENCLATURE

M **OV** **A - 30** **H** **N1 - M** **16**



PRODUCT SPECIFICATIONS

Model Number		MOVA-18HN1-M16	MOVA-24HN1-M16
Cooling			
Capacity	Btu/h	18,000	24,000
SEER	Btu/h.W	15	15
Heating			
Capacity	Btu/h	17,500	23,200
HSPF		9.0	9.0
Compressor			
Type / Brand		Scroll / Copeland	Scroll / Copeland
Rated current (RLA)	A	9.0	13.5
Locked rotor Amp (LRA)	A	48.0	58.3
Capacitor	μF	30	35
Outdoor fan motor			
Type		PSC	PSC
Rated HP	HP	1/6	1/6
FLA	A	1.0	1.0
Capacitor	μF	6	6
Rated RPM	r/min	825	825
Outdoor fan type		Axial flow	Axial flow
Condenser coil	Inner groove Copper tube & Hydrophilic Aluminum fin		
Refrigeration system			
Liquid, Suction valve size (O.D.)	inch	3/8, 3/4	3/8, 3/4
Refrigeration charge (R410A)	lbs-oz	7-5	7-5
Electrical Data			
Voltage-Phase-Hz		208/230V-1Ph-60Hz	208/230V-1Ph-60Hz
Minimum circuit Amp.	A	12.3	17.9
Max. overcurrent protection	A	20	30
Min./Max. volts		187/253	187/253
Decibels	dB(A)	62	62
Outdoor unit			
Dimension (WxHxD)	mm	710x633x710	740x633x740
	inch	28x24-15/16x28	29-1/8x24-15/16x29-1/8
Packing (WxHxD)	mm	738x667x738	768x667x768
	inch	29x26-1/4x29	30-1/5x26-1/4x30-1/5
Net/Gross weight	Kg	79/84	77/83
	lbs	174/185	170/183
Shipping per STD40HQ		192	180

Notes:

1. Wire size should be determined in accordance with National Electrical Codes; extensive wire runs will require large wire size.
2. Must use time-delay fuses or HACR-type circuit breakers of the same size as noted.
3. Always check the rating plate for electrical data on the unit being installed.

PRODUCT SPECIFICATIONS

Model Number		MOVA-30HN1-M16	MOVA-36HN1-M16
Cooling			
Capacity	Btu/h	30,000	35,000
SEER	Btu/h.W	15	15
Heating			
Capacity	Btu/h	28,600	35,000
HSPF		9.0	9.0
Compressor			
Type / Brand		Scroll / Copeland	Scroll / Copeland
Rated current (RLA)	A	14.1	16.7
Locked rotor Amp (LRA)	A	73	79
Capacitor	µF	40	45
Outdoor fan motor			
Type		PSC	PSC
Rated HP	HP	1/6	1/6
FLA	A	1.0	1.0
Capacitor	µF	6	6
Rated RPM	r/min	825	825
Outdoor fan type		Axial flow	Axial flow
Condenser coil		Inner groove Copper tube & Hydrophilic Aluminum fin	
Refrigeration system			
Liquid, Suction valve size (O.D.)	inch	3/8, 3/4	3/8, 7/8
Refrigeration charge (R410A)	lbs-oz	7-9	9-12
Electrical Data			
Voltage-Phase-Hz		208/230V-1Ph-60Hz	208/230V-1Ph-60Hz
Minimum circuit Amp.	A	18.7	21.9
Max. overcurrent protection	A	30	35
Min./Max. volts		187/253	187/253
Decibels	dB(A)	64	64
Outdoor unit			
Dimension (WxHxD)	mm	740x633x740	740x843x740
	inch	29-1/8x24-15/16x29-1/8	29-1/8x33-3/16x29-1/8
Packing (WxHxD)	mm	768x667x768	768x877x768
	inch	30-1/5x26-1/4x30-1/5	30-1/5x34-1/2x30-1/5
Net/Gross weight	Kg	78/84	88/93
	lbs	172/185	194/205
Shipping per STD40HQ		180	135

Notes:

1. Wire size should be determined in accordance with National Electrical Codes; extensive wire runs will require large wire size.
2. Must use time-delay fuses or HACR-type circuit breakers of the same size as noted.
3. Always check the rating plate for electrical data on the unit being installed.

PRODUCT SPECIFICATIONS

Model Number		MOVA-42HN1-M16	MOVA-48HN1-M16
Cooling			
Capacity	Btu/h	42,000	46,500
SEER	Btu/h.W	15	15
Heating			
Capacity	Btu/h	42,000	45,000
HSPF		9.0	9.0
Compressor			
Type / Brand		Scroll / Copeland	Scroll / Copeland
Rated current (RLA)	A	17.9	19.9
Locked rotor Amp (LRA)	A	112	109
Capacitor	μF	45	45
Outdoor fan motor			
Type		PSC	PSC
Rated HP	HP	1/6	1/3
FLA	A	1.0	1.7
Capacitor	μF	6	15
Rated RPM	r/min	825	1,075
Outdoor fan type		Axial flow	Axial flow
Condenser coil		Inner groove Copper tube & Hydrophilic Aluminum fin	
Refrigeration system			
Liquid, Suction valve size (O.D.)	inch	3/8, 7/8	3/8, 7/8
Refrigeration charge (R410A)	lbs-oz	9-15	10-3
Electrical Data			
Voltage-Phase-Hz		208/230V-1Ph-60Hz	208/230V-1Ph-60Hz
Minimum circuit Amp.	A	23.4	26.6
Max. overcurrent protection	A	40	45
Min./Max. volts		187/253	187/253
Decibels	dB(A)	67	67
Outdoor unit			
Dimension (WxHxD)	mm	740x843x740	740x843x740
	inch	29-1/8x33-3/16x29-1/8	29-1/8x33-3/16x29-1/8
Packing (WxHxD)	mm	768x877x768	768x877x768
	inch	30-1/5x34-1/2x30-1/5	30-1/5x34-1/2x30-1/5
Net/Gross weight	Kg	104/111	104/109
	lbs	229/245	229/240
Shipping per STD40HQ		135	135

Notes:

1. Wire size should be determined in accordance with National Electrical Codes; extensive wire runs will require large wire size.
2. Must use time-delay fuses or HACR-type circuit breakers of the same size as noted.
3. Always check the rating plate for electrical data on the unit being installed.

PRODUCT SPECIFICATIONS

Model Number		MOVA-60HN1-M16
Cooling		
Capacity	Btu/h	57,500
SEER	Btu/h.W	15
Heating		
Capacity	Btu/h	55,500
HSPF		9.0
Compressor		
Type / Brand		Scroll / Copeland
Rated current (RLA)	A	25.0
Locked rotor Amp (LRA)	A	134
Capacitor	μF	70
Outdoor fan motor		
Type		PSC
Rated HP	HP	1/3
FLA	A	1.7
Capacitor	μF	15
Rated RPM	r/min	1,075
Outdoor fan type		Axial flow
Condenser coil	Inner groove Copper tube & Hydrophilic Aluminum fin	
Refrigeration system		
Liquid, Suction valve size (O.D.)	inch	3/8, 7/8
Refrigeration charge (R410A)	lbs-oz	10-14
Electrical Data		
Voltage-Phase-Hz		208/230V-1Ph-60Hz
Minimum circuit Amp.	A	33
Max. overcurrent protection	A	50
Min./Max. volts		187/253
Decibels	dB(A)	67
Outdoor unit		
Dimension (WxHxD)	mm	740x843x740
	inch	29-1/8x33-3/16x29-1/8
Packing (WxHxD)	mm	768x877x768
	inch	30-1/5x34-1/2x30-1/5
Net/Gross weight	Kg	106/111
	lbs	234/245
Shipping per STD40HQ		135

Notes:

1. Wire size should be determined in accordance with National Electrical Codes; extensive wire runs will require large wire size.
2. Must use time-delay fuses or HACR-type circuit breakers of the same size as noted.
3. Always check the rating plate for electrical data on the unit being installed.

COOLING DATA: MOVA-18HN1-M16 + MVA-1830WN1-M16P

MOVA-18HN1-M16 + MVA-1830WN1-M16P										
INDOOR AIRFLOW (CFM)	OUTDOOR DB (°F)	IWB (°F)	59				63			
		IDB (°F)	70	75	80	85	70	75	80	85
570	65	TC	18.3	18.3	18.7	19.1	19.4	19.4	19.4	19.8
		S/T	0.74	0.91	1.00	1.00	0.55	0.72	0.88	1.00
		kW	1.03	1.03	1.03	1.03	1.02	1.02	1.02	1.02
	75	TC	17.4	17.4	17.7	18.1	18.4	18.4	18.4	18.8
		S/T	0.75	0.93	1.00	1.00	0.56	0.73	0.90	1.00
		kW	1.15	1.15	1.15	1.15	1.14	1.14	1.14	1.14
	85	TC	16.5	16.8	17.1	17.4	17.5	17.5	17.5	17.9
		S/T	0.76	0.94	1.00	1.00	0.56	0.74	0.92	1.00
		kW	1.27	1.27	1.27	1.27	1.27	1.27	1.27	1.27
	95	TC	15.5	15.8	16.1	16.4	16.6	16.6	16.9	17.2
		S/T	0.78	0.97	1.00	1.00	0.57	0.76	0.94	1.00
		kW	1.40	1.40	1.40	1.40	1.40	1.40	1.40	1.40
	105	TC	14.6	14.9	15.2	15.5	15.5	15.5	15.8	16.1
		S/T	0.80	1.00	1.00	1.00	0.58	0.78	0.97	1.00
		kW	1.55	1.55	1.55	1.55	1.55	1.55	1.55	1.55
	115	TC	13.5	13.8	14.1	14.4	14.4	14.4	14.7	15.0
		S/T	0.82	1.00	1.00	1.00	0.59	0.81	1.00	1.00
		kW	1.72	1.72	1.72	1.72	1.73	1.73	1.73	1.73
650	65	TC	18.7	19.1	19.5	19.9	19.9	19.9	19.9	20.3
		S/T	0.76	0.95	1.00	1.00	0.57	0.75	0.93	1.00
		kW	1.05	1.05	1.05	1.05	1.04	1.04	1.04	1.04
	75	TC	17.8	18.2	18.6	19.0	18.9	18.9	19.3	19.7
		S/T	0.78	0.97	1.00	1.00	0.57	0.76	1.00	1.00
		kW	1.17	1.17	1.17	1.17	1.17	1.17	1.17	1.17
	85	TC	16.8	17.1	17.4	17.7	17.9	17.9	18.3	18.7
		S/T	0.80	1.00	1.00	1.00	0.58	0.78	1.00	1.00
		kW	1.29	1.29	1.29	1.29	1.30	1.30	1.30	1.30
	95	TC	15.9	16.2	16.5	16.8	16.9	16.9	17.2	17.5
		S/T	0.81	1.00	1.00	1.00	0.59	0.80	1.00	1.00
		kW	1.43	1.43	1.43	1.43	1.43	1.43	1.43	1.43
	105	TC	14.9	15.2	15.5	15.8	15.9	15.9	16.2	16.5
		S/T	0.84	1.00	1.00	1.00	0.59	0.82	1.00	1.00
		kW	1.58	1.58	1.58	1.58	1.59	1.59	1.59	1.59
	115	TC	13.8	14.1	14.4	14.7	14.8	14.8	15.1	15.4
		S/T	0.87	1.00	1.00	1.00	0.61	0.85	1.00	1.00
		kW	1.76	1.76	1.76	1.76	1.76	1.76	1.76	1.76

Notes:

TC: Total capacity; **S/T:** the rate of sensible heat and total capacity; **kW:** Total input power.

COOLING DATA: MOVA-18HN1-M16 + MVA-1830WN1-M16P

MOVA-18HN1-M16 + MVA-1830WN1-M16P										
INDOOR AIRFLOW (CFM)	OUTDOOR DB (°F)	IWB (°F)	59				63			
		IDB (°F)	70	75	80	85	70	75	80	85
730	65°F	TC	19.1	19.5	19.9	20.3	20.3	20.3	20.7	21.1
		S/T	0.79	0.99	1.00	1.00	0.58	0.77	1.00	1.00
		kW	1.07	1.07	1.07	1.07	1.06	1.06	1.06	1.06
	75°F	TC	18.2	18.6	19.0	19.4	19.3	19.3	19.7	20.1
		S/T	0.81	1.00	1.00	1.00	0.58	0.79	1.00	1.00
		kW	1.19	1.19	1.19	1.19	1.19	1.19	1.19	1.19
	85°F	TC	17.2	17.5	17.9	18.3	18.3	18.3	18.7	19.1
		S/T	0.83	1.00	1.00	1.00	0.59	0.81	1.00	1.00
		kW	1.32	1.32	1.32	1.32	1.32	1.32	1.32	1.32
	95°F	TC	16.2	16.5	16.8	17.1	17.3	17.3	17.6	18.0
		S/T	0.85	1.00	1.00	1.00	0.60	0.83	1.00	1.00
		kW	1.46	1.46	1.46	1.46	1.46	1.46	1.46	1.46
	105°F	TC	15.2	15.5	15.8	16.1	16.2	16.2	16.5	16.8
		S/T	0.87	1.00	1.00	1.00	0.61	0.86	1.00	1.00
		kW	1.61	1.61	1.61	1.61	1.62	1.62	1.62	1.62
	115°F	TC	14.1	14.4	14.7	15.0	15.1	15.1	15.4	15.7
		S/T	0.91	1.00	1.00	1.00	0.62	0.89	1.00	1.00
		kW	1.79	1.79	1.79	1.79	1.80	1.80	1.80	1.80

Notes:

TC: Total capacity; **S/T:** the rate of sensible heat and total capacity; **kW:** Total input power.

COOLING DATA: MOVA-18HN1-M16 + MVA-1830WN1-M16P

MOVA-18HN1-M16 + MVA-1830WN1-M16P										
INDOOR AIRFLOW (CFM)	OUTDOOR DB (°F)	IWB (°F)	67				71			
		IDB (°F)	70	75	80	85	70	75	80	85
530	65	TC	20.6	20.6	20.6	20.6	/	21.8	21.8	21.8
		S/T	0.39	0.54	0.70	0.85	/	0.38	0.53	0.67
		kW	1.01	1.01	1.01	1.01	/	1.01	1.01	1.01
	75	TC	19.6	19.6	19.6	19.6	/	20.7	20.7	20.7
		S/T	0.39	0.55	0.71	0.87	/	0.38	0.54	0.69
		kW	1.14	1.14	1.14	1.14	/	1.14	1.14	1.14
	85	TC	18.6	18.6	18.6	18.6	/	19.7	19.7	19.7
		S/T	0.39	0.55	0.72	0.89	/	0.38	0.54	0.70
		kW	1.27	1.27	1.27	1.27	/	1.28	1.28	1.28
	95	TC	17.6	17.6	17.6	17.6	/	18.7	18.7	18.7
		S/T	0.38	0.56	0.74	0.92	/	0.38	0.55	0.72
		kW	1.41	1.41	1.41	1.41	/	1.42	1.42	1.42
	105	TC	16.5	16.5	16.5	16.8	/	17.6	17.6	17.6
		S/T	0.38	0.57	0.76	0.94	/	0.38	0.56	0.74
		kW	1.56	1.56	1.56	1.56	/	1.57	1.57	1.57
	115	TC	15.4	15.4	15.4	15.7	/	16.4	16.4	16.4
		S/T	0.38	0.58	0.79	0.98	/	0.38	0.57	0.77
		kW	1.74	1.74	1.74	1.74	/	1.75	1.75	1.75
600	65	TC	21.0	21.0	21.0	21.0	/	22.3	22.3	22.3
		S/T	0.39	0.56	0.73	0.90	/	0.38	0.54	0.71
		kW	1.04	1.04	1.04	1.04	/	1.03	1.03	1.03
	75	TC	20.0	20.0	20.0	20.0	/	21.2	21.2	21.2
		S/T	0.38	0.56	0.74	0.92	/	0.38	0.55	0.72
		kW	1.17	1.17	1.17	1.17	/	1.17	1.17	1.17
	85	TC	19.0	19.0	19.0	19.4	/	20.2	20.2	20.2
		S/T	0.38	0.57	0.76	1.00	/	0.38	0.56	0.74
		kW	1.30	1.30	1.30	1.30	/	1.30	1.30	1.30
	95	TC	18.0	18.0	18.0	18.4	/	19.1	19.1	19.1
		S/T	0.38	0.58	0.78	1.00	/	0.38	0.57	0.76
		kW	1.44	1.44	1.44	1.44	/	1.44	1.44	1.44
	105	TC	16.9	16.9	16.9	17.2	/	18.0	18.0	18.0
		S/T	0.38	0.59	0.80	1.00	/	0.38	0.58	0.78
		kW	1.60	1.60	1.60	1.60	/	1.61	1.61	1.61
	115	TC	15.7	15.7	15.7	16.0	/	16.8	16.8	16.8
		S/T	0.38	0.60	0.83	1.00	/	0.38	0.60	0.81
		kW	1.77	1.77	1.77	1.77	/	1.79	1.79	1.79

Notes:

TC: Total capacity; **S/T:** the rate of sensible heat and total capacity; **kW:** Total input power.

COOLING DATA: MOVA-18HN1-M16 + MVA-1830WN1-M16P

MOVA-18HN1-M16 + MVA-1830WN1-M16P										
INDOOR AIRFLOW (CFM)	OUTDOOR DB (°F)	IWB (°F)	67				71			
		IDB (°F)	70	75	80	85	70	75	80	85
680	65°F	TC	21.5	21.5	21.5	21.5	/	22.7	22.7	22.7
		S/T	0.38	0.57	0.76	0.94	/	0.38	0.56	0.74
		kW	1.06	1.06	1.06	1.06	/	1.05	1.05	1.05
	75°F	TC	20.4	20.4	20.4	20.8	/	21.7	21.7	21.7
		S/T	0.38	0.58	0.77	1.00	/	0.38	0.57	0.75
		kW	1.19	1.19	1.19	1.19	/	1.19	1.19	1.19
	85°F	TC	19.4	19.4	19.4	19.8	/	20.6	20.6	20.6
		S/T	0.38	0.59	0.79	1.00	/	0.38	0.58	0.77
		kW	1.33	1.33	1.33	1.33	/	1.33	1.33	1.33
	95°F	TC	18.4	18.4	18.4	18.8	/	19.5	19.5	19.5
		S/T	0.38	0.60	0.81	1.00	/	0.38	0.59	0.80
		kW	1.47	1.47	1.47	1.47	/	1.48	1.48	1.48
	105°F	TC	17.3	17.3	17.3	17.6	/	18.4	18.4	18.4
		S/T	0.38	0.61	0.84	1.00	/	0.38	0.60	0.82
		kW	1.63	1.63	1.63	1.63	/	1.64	1.64	1.64
	115°F	TC	16.1	16.1	16.1	16.4	/	17.1	17.1	17.1
		S/T	0.37	0.62	0.87	1.00	/	0.38	0.62	0.86
		kW	1.81	1.81	1.81	1.81	/	1.82	1.82	1.82

Notes:

TC: Total capacity; **S/T:** the rate of sensible heat and total capacity; **kW:** Total input power.

COOLING DATA: MOVA-24HN1-M16 + MVA-1830WN1-M16P

MOVA-24HN1-M16 + MVA-1830WN1-M16P										
INDOOR AIRFLOW (CFM)	OUTDOOR DB (°F)	IWB (°F)	59				63			
		IDB (°F)	70	75	80	85	70	75	80	85
730	65	TC	24.4	24.4	24.9	25.4	25.9	25.9	25.9	26.4
		S/T	0.73	0.89	1.00	1.00	0.55	0.71	0.86	1.00
		kW	1.37	1.37	1.37	1.37	1.36	1.36	1.36	1.36
	75	TC	23.2	23.2	23.7	24.2	24.6	24.6	24.6	25.1
		S/T	0.74	0.91	1.00	1.00	0.56	0.72	0.88	1.00
		kW	1.53	1.53	1.53	1.53	1.53	1.53	1.53	1.53
	85	TC	22.0	22.0	22.4	22.8	23.4	23.4	23.4	23.9
		S/T	0.75	0.93	1.00	1.00	0.56	0.73	0.90	1.00
		kW	1.69	1.69	1.69	1.69	1.69	1.69	1.69	1.69
	95	TC	20.7	21.1	21.5	21.9	22.1	22.1	22.1	22.5
		S/T	0.77	0.95	1.00	1.00	0.57	0.75	0.93	1.00
		kW	1.87	1.87	1.87	1.87	1.87	1.87	1.87	1.87
	105	TC	19.5	19.9	20.3	20.7	20.8	20.8	21.2	21.6
		S/T	0.79	0.98	1.00	1.00	0.57	0.77	0.95	1.00
		kW	2.06	2.06	2.06	2.06	2.07	2.07	2.07	2.07
	115	TC	18.0	18.4	18.8	19.2	19.3	19.3	19.7	20.1
		S/T	0.81	1.00	1.00	1.00	0.58	0.79	0.99	1.00
		kW	2.29	2.29	2.29	2.29	2.30	2.30	2.30	2.30
830	65	TC	25.0	25.0	25.5	26.0	26.5	26.5	26.5	27.0
		S/T	0.75	0.93	1.00	1.00	0.56	0.73	0.91	1.00
		kW	1.40	1.40	1.40	1.40	1.39	1.39	1.39	1.39
	75	TC	23.7	24.2	24.7	25.2	25.2	25.2	25.2	25.7
		S/T	0.77	0.95	1.00	1.00	0.57	0.75	0.93	1.00
		kW	1.56	1.56	1.56	1.56	1.56	1.56	1.56	1.56
	85	TC	22.4	22.8	23.3	23.8	23.9	23.9	24.4	24.9
		S/T	0.78	0.98	1.00	1.00	0.57	0.76	1.00	1.00
		kW	1.73	1.73	1.73	1.73	1.73	1.73	1.73	1.73
	95	TC	21.2	21.6	22.0	22.4	22.6	22.6	23.1	23.6
		S/T	0.80	1.00	1.00	1.00	0.58	0.78	1.00	1.00
		kW	1.91	1.91	1.91	1.91	1.91	1.91	1.91	1.91
	105	TC	19.9	20.3	20.7	21.1	21.2	21.2	21.6	22.0
		S/T	0.82	1.00	1.00	1.00	0.59	0.80	1.00	1.00
		kW	2.11	2.11	2.11	2.11	2.12	2.12	2.12	2.12
	115	TC	18.4	18.8	19.2	19.6	19.7	19.7	20.1	20.5
		S/T	0.85	1.00	1.00	1.00	0.60	0.83	1.00	1.00
		kW	2.34	2.34	2.34	2.34	2.35	2.35	2.35	2.35

Notes:

TC: Total capacity; **S/T:** the rate of sensible heat and total capacity; **kW:** Total input power.

COOLING DATA: MOVA-24HN1-M16 + MVA-1830WN1-M16P

MOVA-24HN1-M16 + MVA-1830WN1-M16P										
INDOOR AIRFLOW (CFM)	OUTDOOR DB (°F)	IWB (°F)	59				63			
		IDB (°F)	70	75	80	85	70	75	80	85
930	65	TC	25.5	26.0	26.5	27.0	27.0	27.0	27.5	28.1
		S/T	0.78	0.97	1.00	1.00	0.57	0.76	1.00	1.00
		kW	1.43	1.43	1.43	1.43	1.42	1.42	1.42	1.42
	75	TC	24.2	24.7	25.2	25.7	25.7	25.7	26.2	26.7
		S/T	0.79	0.99	1.00	1.00	0.58	0.78	1.00	1.00
		kW	1.59	1.59	1.59	1.59	1.59	1.59	1.59	1.59
	85	TC	22.9	23.4	23.9	24.4	24.4	24.4	24.9	25.4
		S/T	0.81	1.00	1.00	1.00	0.58	0.79	1.00	1.00
		kW	1.76	1.76	1.76	1.76	1.76	1.76	1.76	1.76
	95	TC	21.6	22.0	22.4	22.8	23.0	23.0	23.5	24.0
		S/T	0.83	1.00	1.00	1.00	0.59	0.82	1.00	1.00
		kW	1.94	1.94	1.94	1.94	1.95	1.95	1.95	1.95
	105	TC	20.3	20.7	21.1	21.5	21.6	21.6	22.0	22.4
		S/T	0.85	1.00	1.00	1.00	0.60	0.84	1.00	1.00
		kW	2.15	2.15	2.15	2.15	2.16	2.16	2.16	2.16
	115	TC	18.8	19.2	19.6	20.0	20.1	20.1	20.5	20.9
		S/T	0.89	1.00	1.00	1.00	0.62	0.87	1.00	1.00
		kW	2.39	2.39	2.39	2.39	2.40	2.40	2.40	2.40

Notes:

TC: Total capacity; **S/T:** the rate of sensible heat and total capacity; **kW:** Total input power.

COOLING DATA: MOVA-24HN1-M16 + MVA-1830WN1-M16P

MOVA-24HN1-M16 + MVA-1830WN1-M16P										
INDOOR AIRFLOW (CFM)	OUTDOOR DB (°F)	IWB (°F)	67				71			
		IDB (°F)	70	75	80	85	70	75	80	85
730	65	TC	27.4	27.4	27.4	27.4	/	29.1	29.1	29.1
		S/T	0.39	0.54	0.69	0.83	/	0.39	0.52	0.66
		kW	1.35	1.35	1.35	1.35	/	1.35	1.35	1.35
	75	TC	26.1	26.1	26.1	26.1	/	27.7	27.7	27.7
		S/T	0.39	0.54	0.70	0.85	/	0.38	0.53	0.68
		kW	1.52	1.52	1.52	1.52	/	1.52	1.52	1.52
	85	TC	24.8	24.8	24.8	24.8	/	26.3	26.3	26.3
		S/T	0.39	0.55	0.71	0.87	/	0.38	0.54	0.69
		kW	1.70	1.70	1.70	1.70	/	1.70	1.70	1.70
	95	TC	23.5	23.5	23.5	23.5	/	25.0	25.0	25.0
		S/T	0.39	0.56	0.73	0.90	/	0.38	0.54	0.71
		kW	1.88	1.88	1.88	1.88	/	1.89	1.89	1.89
	105	TC	22.1	22.1	22.1	22.1	/	23.5	23.5	23.5
		S/T	0.38	0.57	0.75	0.93	/	0.38	0.55	0.73
		kW	2.08	2.08	2.08	2.08	/	2.10	2.10	2.10
	115	TC	20.6	20.6	20.6	21.0	/	21.9	21.9	21.9
		S/T	0.38	0.58	0.77	0.96	/	0.38	0.57	0.75
		kW	2.32	2.32	2.32	2.32	/	2.33	2.33	2.33
830	65	TC	28.0	28.0	28.0	28.0	/	29.7	29.7	29.7
		S/T	0.39	0.55	0.71	0.88	/	0.38	0.54	0.69
		kW	1.38	1.38	1.38	1.38	/	1.37	1.37	1.37
	75	TC	26.7	26.7	26.7	26.7	/	28.3	28.3	28.3
		S/T	0.39	0.56	0.73	0.90	/	0.38	0.55	0.71
		kW	1.56	1.56	1.56	1.56	/	1.56	1.56	1.56
	85	TC	25.3	25.3	25.3	25.3	/	26.9	26.9	26.9
		S/T	0.38	0.56	0.74	0.93	/	0.38	0.55	0.72
		kW	1.73	1.73	1.73	1.73	/	1.74	1.74	1.74
	95	TC	24.0	24.0	24.0	24.5	/	25.5	25.5	25.5
		S/T	0.38	0.57	0.76	1.00	/	0.38	0.56	0.74
		kW	1.92	1.92	1.92	1.92	/	1.92	1.92	1.92
	105	TC	22.6	22.6	22.6	23.1	/	24.0	24.0	24.0
		S/T	0.38	0.58	0.78	1.00	/	0.38	0.57	0.76
		kW	2.13	2.13	2.13	2.13	/	2.14	2.14	2.14
	115	TC	21.0	21.0	21.0	21.4	/	22.4	22.4	22.4
		S/T	0.38	0.60	0.81	1.00	/	0.38	0.59	0.79
		kW	2.37	2.37	2.37	2.37	/	2.38	2.38	2.38

Notes:

TC: Total capacity; **S/T:** the rate of sensible heat and total capacity; **kW:** Total input power.

COOLING DATA: MOVA-24HN1-M16 + MVA-1830WN1-M16P

MOVA-24HN1-M16 + MVA-1830WN1-M16P										
INDOOR AIRFLOW (CFM)	OUTDOOR DB (°F)	IWB (°F)	67				71			
		IDB (°F)	70	75	80	85	70	75	80	85
930	65	TC	28.6	28.6	28.6	28.6	/	30.3	30.3	30.3
		S/T	0.38	0.56	0.74	0.92	/	0.38	0.55	0.72
		kW	1.41	1.41	1.41	1.41	/	1.40	1.40	1.40
	75	TC	27.2	27.2	27.2	27.7	/	28.9	28.9	28.9
		S/T	0.38	0.57	0.76	1.00	/	0.38	0.56	0.74
		kW	1.59	1.59	1.59	1.59	/	1.59	1.59	1.59
	85	TC	25.9	25.9	25.9	26.4	/	27.5	27.5	27.5
		S/T	0.38	0.58	0.78	1.00	/	0.38	0.57	0.76
		kW	1.77	1.77	1.77	1.77	/	1.77	1.77	1.77
	95	TC	24.5	24.5	24.5	25.0	/	26.0	26.0	26.0
		S/T	0.38	0.59	0.80	1.00	/	0.38	0.58	0.78
		kW	1.96	1.96	1.96	1.96	/	1.97	1.97	1.97
	105	TC	23.0	23.0	23.0	23.5	/	24.5	24.5	24.5
		S/T	0.38	0.60	0.82	1.00	/	0.38	0.59	0.80
		kW	2.17	2.17	2.17	2.17	/	2.19	2.19	2.19
	115	TC	21.4	21.4	21.4	21.8	/	22.8	22.8	22.8
		S/T	0.38	0.61	0.85	1.00	/	0.38	0.61	0.83
		kW	2.41	2.41	2.41	2.41	/	2.43	2.43	2.43

Notes:

TC: Total capacity; **S/T:** the rate of sensible heat and total capacity; **kW:** Total input power.

COOLING DATA: MOVA-30HN1-M16 + MVA-1830WN1-M16P

MOVA-30HN1-M16 + MVA-1830WN1-M16P										
INDOOR AIRFLOW (CFM)	OUTDOOR DB (°F)	IWB (°F)	59				63			
		IDB (°F)	70	75	80	85	70	75	80	85
880	65	TC	30.6	30.6	31.2	31.8	32.4	32.4	32.4	33.0
		S/T	0.72	0.88	1.00	1.00	0.55	0.70	0.85	0.99
		kW	1.71	1.71	1.71	1.71	1.70	1.70	1.70	1.70
	75	TC	29.0	29.0	29.6	30.2	30.8	30.8	30.8	31.4
		S/T	0.73	0.90	1.00	1.00	0.55	0.71	0.87	1.00
		kW	1.91	1.91	1.91	1.91	1.91	1.91	1.91	1.91
	85	TC	27.5	27.5	28.1	28.7	29.2	29.2	29.2	29.8
		S/T	0.74	0.92	1.00	1.00	0.56	0.72	0.89	1.00
		kW	2.11	2.11	2.11	2.11	2.12	2.12	2.12	2.12
	95	TC	26.0	26.0	26.5	27.0	27.6	27.6	27.6	28.2
		S/T	0.76	0.94	1.00	1.00	0.56	0.74	0.91	1.00
		kW	2.33	2.33	2.33	2.33	2.34	2.34	2.34	2.34
	105	TC	24.3	24.8	25.3	25.8	26.0	26.0	26.0	26.5
		S/T	0.78	0.96	1.00	1.00	0.57	0.76	0.94	1.00
		kW	2.58	2.58	2.58	2.58	2.59	2.59	2.59	2.59
	115	TC	22.6	23.1	23.6	24.1	24.1	24.1	24.6	25.1
		S/T	0.80	1.00	1.00	1.00	0.58	0.78	0.97	1.00
		kW	2.87	2.87	2.87	2.87	2.88	2.88	2.88	2.88
1000	65	TC	31.2	31.2	31.8	32.4	33.1	33.1	33.1	33.8
		S/T	0.74	0.92	1.00	1.00	0.56	0.72	0.89	1.00
		kW	1.75	1.75	1.75	1.75	1.74	1.74	1.74	1.74
	75	TC	29.6	29.6	30.2	30.8	31.4	31.4	31.4	32.0
		S/T	0.76	0.94	1.00	1.00	0.56	0.74	0.91	1.00
		kW	1.95	1.95	1.95	1.95	1.95	1.95	1.95	1.95
	85	TC	28.0	28.6	29.2	29.8	29.8	29.8	29.8	30.4
		S/T	0.77	0.96	1.00	1.00	0.57	0.75	0.94	1.00
		kW	2.16	2.16	2.16	2.16	2.16	2.16	2.16	2.16
	95	TC	26.5	27.0	27.5	28.1	28.2	28.2	28.8	29.4
		S/T	0.79	0.99	1.00	1.00	0.57	0.77	1.00	1.00
		kW	2.38	2.38	2.38	2.38	2.39	2.39	2.39	2.39
	105	TC	24.8	25.3	25.8	26.3	26.5	26.5	27.0	27.5
		S/T	0.81	1.00	1.00	1.00	0.58	0.79	1.00	1.00
		kW	2.63	2.63	2.63	2.63	2.65	2.65	2.65	2.65
	115	TC	23.0	23.5	24.0	24.5	24.6	24.6	25.1	25.6
		S/T	0.83	1.00	1.00	1.00	0.59	0.82	1.00	1.00
		kW	2.93	2.93	2.93	2.93	2.94	2.94	2.94	2.94

Notes:

TC: Total capacity; **S/T:** the rate of sensible heat and total capacity; **kW:** Total input power.

COOLING DATA: MOVA-30HN1-M16 + MVA-1830WN1-M16P

MOVA-30HN1-M16 + MVA-1830WN1-M16P										
INDOOR AIRFLOW (CFM)	OUTDOOR DB (°F)	IWB (°F)	59				63			
		IDB (°F)	70	75	80	85	70	75	80	85
1130	65	TC	31.8	32.4	33.0	33.7	33.8	33.8	33.8	34.5
		S/T	0.77	0.96	1.00	1.00	0.57	0.75	0.94	1.00
		kW	1.78	1.78	1.78	1.78	1.77	1.77	1.77	1.77
	75	TC	30.2	30.8	31.4	32.0	32.1	32.1	32.7	33.4
		S/T	0.78	0.98	1.00	1.00	0.57	0.77	1.00	1.00
		kW	1.99	1.99	1.99	1.99	1.99	1.99	1.99	1.99
	85	TC	28.6	29.2	29.8	30.4	30.4	30.4	31.0	31.6
		S/T	0.80	1.00	1.00	1.00	0.58	0.79	1.00	1.00
		kW	2.20	2.20	2.20	2.20	2.21	2.21	2.21	2.21
	95	TC	27.0	27.5	28.1	28.7	28.8	28.8	29.4	30.0
		S/T	0.82	1.00	1.00	1.00	0.59	0.80	1.00	1.00
		kW	2.43	2.43	2.43	2.43	2.44	2.44	2.44	2.44
	105	TC	25.3	25.8	26.3	26.8	27.0	27.0	27.5	28.1
		S/T	0.84	1.00	1.00	1.00	0.60	0.83	1.00	1.00
		kW	2.69	2.69	2.69	2.69	2.70	2.70	2.70	2.70
	115	TC	23.5	24.0	24.5	25.0	25.1	25.1	25.6	26.1
		S/T	0.87	1.00	1.00	1.00	0.61	0.86	1.00	1.00
		kW	2.99	2.99	2.99	2.99	3.00	3.00	3.00	3.00

Notes:

TC: Total capacity; **S/T:** the rate of sensible heat and total capacity; **kW:** Total input power.

COOLING DATA: MOVA-30HN1-M16 + MVA-1830WN1-M16P

MOVA-30HN1-M16 + MVA-1830WN1-M16P										
INDOOR AIRFLOW (CFM)	OUTDOOR DB (°F)	IWB (°F)	67				71			
		IDB (°F)	70	75	80	85	70	75	80	85
880	65	TC	34.3	34.3	34.3	34.3	/	36.3	36.3	36.3
		S/T	0.39	0.53	0.68	0.82	/	0.39	0.52	0.65
		kW	1.69	1.69	1.69	1.69	/	1.68	1.68	1.68
	75	TC	32.7	32.7	32.7	32.7	/	34.6	34.6	34.6
		S/T	0.39	0.54	0.69	0.84	/	0.39	0.53	0.67
		kW	1.90	1.90	1.90	1.90	/	1.90	1.90	1.90
	85	TC	31.0	31.0	31.0	31.0	/	33.0	33.0	33.0
		S/T	0.39	0.55	0.70	0.86	/	0.38	0.53	0.68
		kW	2.12	2.12	2.12	2.12	/	2.13	2.13	2.13
	95	TC	29.4	29.4	29.4	29.4	/	31.2	31.2	31.2
		S/T	0.39	0.55	0.72	0.88	/	0.38	0.54	0.70
		kW	2.35	2.35	2.35	2.35	/	2.36	2.36	2.36
	105	TC	27.6	27.6	27.6	27.6	/	29.4	29.4	29.4
		S/T	0.38	0.56	0.74	0.91	/	0.38	0.55	0.71
		kW	2.60	2.60	2.60	2.60	/	2.62	2.62	2.62
	115	TC	25.7	25.7	25.7	26.2	/	27.4	27.4	27.4
		S/T	0.38	0.57	0.76	0.94	/	0.38	0.56	0.74
		kW	2.90	2.90	2.90	2.90	/	2.91	2.91	2.91
1000	65	TC	35.0	35.0	35.0	35.0	/	37.1	37.1	37.1
		S/T	0.39	0.55	0.70	0.86	/	0.38	0.53	0.68
		kW	1.73	1.73	1.73	1.73	/	1.72	1.72	1.72
	75	TC	33.3	33.3	33.3	33.3	/	35.3	35.3	35.3
		S/T	0.39	0.55	0.72	0.88	/	0.38	0.54	0.70
		kW	1.95	1.95	1.95	1.95	/	1.95	1.95	1.95
	85	TC	31.7	31.7	31.7	31.7	/	33.6	33.6	33.6
		S/T	0.38	0.56	0.73	0.91	/	0.38	0.55	0.71
		kW	2.17	2.17	2.17	2.17	/	2.17	2.17	2.17
	95	TC	30.0	30.0	30.0	30.0	/	31.9	31.9	31.9
		S/T	0.38	0.57	0.75	0.93	/	0.38	0.56	0.73
		kW	2.40	2.40	2.40	2.40	/	2.40	2.40	2.40
	105	TC	28.2	28.2	28.2	28.8	/	30.0	30.0	30.0
		S/T	0.38	0.58	0.77	1.00	/	0.38	0.57	0.75
		kW	2.66	2.66	2.66	2.66	/	2.68	2.68	2.68
	115	TC	26.2	26.2	26.2	26.7	/	28.0	28.0	28.0
		S/T	0.38	0.59	0.80	1.00	/	0.38	0.58	0.78
		kW	2.96	2.96	2.96	2.96	/	2.98	2.98	2.98

Notes:

TC: Total capacity; **S/T:** the rate of sensible heat and total capacity; **kW:** Total input power.

COOLING DATA: MOVA-30HN1-M16 + MVA-1830WN1-M16P

MOVA-30HN1-M16 + MVA-1830WN1-M16P										
INDOOR AIRFLOW (CFM)	OUTDOOR DB (°F)	IWB (°F)	67				71			
		IDB (°F)	70	75	80	85	70	75	80	85
1130	65	TC	35.7	35.7	35.7	35.7	/	37.8	37.8	37.8
		S/T	0.38	0.56	0.73	0.91	/	0.38	0.55	0.71
		kW	1.76	1.76	1.76	1.76	/	1.75	1.75	1.75
	75	TC	34.0	34.0	34.0	34.0	/	36.0	36.0	36.0
		S/T	0.38	0.57	0.75	0.93	/	0.38	0.56	0.73
		kW	1.99	1.99	1.99	1.99	/	1.99	1.99	1.99
	85	TC	32.3	32.3	32.3	32.9	/	34.3	34.3	34.3
		S/T	0.38	0.57	0.77	1.00	/	0.38	0.56	0.75
		kW	2.21	2.21	2.21	2.21	/	2.22	2.22	2.22
	95	TC	30.6	30.6	30.6	31.2	/	32.5	32.5	32.5
		S/T	0.38	0.58	0.79	1.00	/	0.38	0.57	0.77
		kW	2.45	2.45	2.45	2.45	/	2.46	2.46	2.46
	105	TC	28.8	28.8	28.8	29.4	/	30.6	30.6	30.6
		S/T	0.38	0.59	0.81	1.00	/	0.38	0.59	0.79
		kW	2.71	2.71	2.71	2.71	/	2.73	2.73	2.73
	115	TC	26.8	26.8	26.8	27.3	/	28.5	28.5	28.5
		S/T	0.38	0.61	0.84	1.00	/	0.38	0.60	0.82
		kW	3.02	3.02	3.02	3.02	/	3.04	3.04	3.04

Notes:

TC: Total capacity; **S/T:** the rate of sensible heat and total capacity; **kW:** Total input power.

COOLING DATA: MOVA-36HN1-M16 + MVA-3642WN1-M16P

MOVA-36HN1-M16 + MVA-3642WN1-M16P										
INDOOR AIRFLOW (CFM)	OUTDOOR DB (°F)	IWB (°F)	59				63			
		IDB (°F)	70	75	80	85	70	75	80	85
1050	65	TC	35.7	35.7	36.4	37.1	37.8	37.8	37.8	38.6
		S/T	0.72	0.88	1.00	1.00	0.55	0.70	0.86	1.00
		kW	1.99	1.99	1.99	1.99	1.98	1.98	1.98	1.98
	75	TC	33.8	33.8	34.5	35.2	35.9	35.9	35.9	36.6
		S/T	0.74	0.91	1.00	1.00	0.55	0.72	0.88	1.00
		kW	2.23	2.23	2.23	2.23	2.22	2.22	2.22	2.22
	85	TC	32.1	32.1	32.7	33.4	34.1	34.1	34.1	34.8
		S/T	0.75	0.93	1.00	1.00	0.56	0.73	0.90	1.00
		kW	2.46	2.46	2.46	2.46	2.47	2.47	2.47	2.47
	95	TC	30.3	30.9	31.5	32.1	32.3	32.3	32.3	32.9
		S/T	0.76	0.94	1.00	1.00	0.56	0.74	0.92	1.00
		kW	2.72	2.72	2.72	2.72	2.73	2.73	2.73	2.73
	105	TC	28.4	29.0	29.6	30.2	30.3	30.3	30.9	31.5
		S/T	0.78	0.97	1.00	1.00	0.57	0.76	0.94	1.00
		kW	3.01	3.01	3.01	3.01	3.02	3.02	3.02	3.02
	115	TC	26.3	26.8	27.3	27.8	28.1	28.1	28.7	29.3
		S/T	0.81	1.00	1.00	1.00	0.58	0.79	0.98	1.00
		kW	3.34	3.34	3.34	3.34	3.36	3.36	3.36	3.36
1200	65	TC	36.4	36.4	37.1	37.8	38.6	38.6	38.6	39.4
		S/T	0.75	0.93	1.00	1.00	0.56	0.73	0.90	1.00
		kW	2.04	2.04	2.04	2.04	2.03	2.03	2.03	2.03
	75	TC	34.5	35.2	35.9	36.6	36.7	36.7	36.7	37.4
		S/T	0.76	0.95	1.00	1.00	0.57	0.75	0.93	1.00
		kW	2.27	2.27	2.27	2.27	2.27	2.27	2.27	2.27
	85	TC	32.7	33.4	34.1	34.8	34.8	34.8	35.5	36.2
		S/T	0.78	0.97	1.00	1.00	0.57	0.76	1.00	1.00
		kW	2.52	2.52	2.52	2.52	2.52	2.52	2.52	2.52
	95	TC	30.9	31.5	32.1	32.7	32.9	32.9	33.6	34.3
		S/T	0.80	1.00	1.00	1.00	0.58	0.78	1.00	1.00
		kW	2.78	2.78	2.78	2.78	2.79	2.79	2.79	2.79
	105	TC	29.0	29.6	30.2	30.8	30.9	30.9	31.5	32.1
		S/T	0.82	1.00	1.00	1.00	0.59	0.80	1.00	1.00
		kW	3.07	3.07	3.07	3.07	3.09	3.09	3.09	3.09
	115	TC	26.9	27.4	27.9	28.5	28.7	28.7	29.3	29.9
		S/T	0.84	1.00	1.00	1.00	0.60	0.83	1.00	1.00
		kW	3.42	3.42	3.42	3.42	3.43	3.43	3.43	3.43

Notes:

TC: Total capacity; **S/T:** the rate of sensible heat and total capacity; **kW:** Total input power.

COOLING DATA: MOVA-36HN1-M16 + MVA-3642WN1-M16P

MOVA-36HN1-M16 + MVA-3642WN1-M16P										
INDOOR AIRFLOW (CFM)	OUTDOOR DB (°F)	IWB (°F)	59				63			
		IDB (°F)	70	75	80	85	70	75	80	85
1350	65	TC	37.1	37.8	38.6	39.4	39.4	39.4	40.2	41.0
		S/T	0.78	0.97	1.00	1.00	0.57	0.76	1.00	1.00
		kW	2.08	2.08	2.08	2.08	2.07	2.07	2.07	2.07
	75	TC	35.2	35.9	36.6	37.3	37.4	37.4	38.1	38.9
		S/T	0.79	0.99	1.00	1.00	0.58	0.78	1.00	1.00
		kW	2.32	2.32	2.32	2.32	2.32	2.32	2.32	2.32
	85	TC	33.4	34.1	34.8	35.5	35.5	35.5	36.2	36.9
		S/T	0.81	1.00	1.00	1.00	0.58	0.79	1.00	1.00
		kW	2.57	2.57	2.57	2.57	2.57	2.57	2.57	2.57
	95	TC	31.5	32.1	32.7	33.4	33.6	33.6	34.3	35.0
		S/T	0.83	1.00	1.00	1.00	0.59	0.81	1.00	1.00
		kW	2.84	2.84	2.84	2.84	2.85	2.85	2.85	2.85
	105	TC	29.6	30.2	30.8	31.4	31.5	31.5	32.1	32.7
		S/T	0.85	1.00	1.00	1.00	0.60	0.84	1.00	1.00
		kW	3.14	3.14	3.14	3.14	3.15	3.15	3.15	3.15
	115	TC	27.4	27.9	28.5	29.1	29.3	29.3	29.9	30.5
		S/T	0.88	1.00	1.00	1.00	0.62	0.87	1.00	1.00
		kW	3.49	3.49	3.49	3.49	3.50	3.50	3.50	3.50

Notes:

TC: Total capacity; **S/T:** the rate of sensible heat and total capacity; **kW:** Total input power.

COOLING DATA: MOVA-36HN1-M16 + MVA-3642WN1-M16P

MOVA-36HN1-M16 + MVA-3642WN1-M16P										
INDOOR AIRFLOW (CFM)	OUTDOOR DB (°F)	IWB (°F)	67				71			
		IDB (°F)	70	75	80	85	70	75	80	85
1050	65	TC	40.1	40.1	40.1	40.1	/	42.4	42.4	42.4
		S/T	0.39	0.54	0.68	0.83	/	0.39	0.52	0.66
		kW	1.97	1.97	1.97	1.97	/	1.96	1.96	1.96
	75	TC	38.1	38.1	38.1	38.1	/	40.4	40.4	40.4
		S/T	0.39	0.54	0.69	0.85	/	0.39	0.53	0.67
		kW	2.22	2.22	2.22	2.22	/	2.22	2.22	2.22
	85	TC	36.2	36.2	36.2	36.2	/	38.4	38.4	38.4
		S/T	0.39	0.55	0.71	0.87	/	0.38	0.53	0.69
		kW	2.47	2.47	2.47	2.47	/	2.48	2.48	2.48
	95	TC	34.3	34.3	34.3	34.3	/	36.4	36.4	36.4
		S/T	0.39	0.55	0.72	0.89	/	0.38	0.54	0.70
		kW	2.74	2.74	2.74	2.74	/	2.75	2.75	2.75
	105	TC	32.2	32.2	32.2	32.2	/	34.3	34.3	34.3
		S/T	0.38	0.56	0.74	0.92	/	0.38	0.55	0.72
		kW	3.04	3.04	3.04	3.04	/	3.06	3.06	3.06
	115	TC	30.0	30.0	30.0	30.6	/	32.0	32.0	32.0
		S/T	0.38	0.57	0.77	0.95	/	0.38	0.56	0.75
		kW	3.38	3.38	3.38	3.38	/	3.40	3.40	3.40
1200	65	TC	40.9	40.9	40.9	40.9	/	43.3	43.3	43.3
		S/T	0.39	0.55	0.71	0.87	/	0.38	0.54	0.69
		kW	2.02	2.02	2.02	2.02	/	2.00	2.00	2.00
	75	TC	38.9	38.9	38.9	38.9	/	41.2	41.2	41.2
		S/T	0.39	0.56	0.73	0.90	/	0.38	0.54	0.71
		kW	2.27	2.27	2.27	2.27	/	2.27	2.27	2.27
	85	TC	37.0	37.0	37.0	37.0	/	39.2	39.2	39.2
		S/T	0.38	0.56	0.74	0.92	/	0.38	0.55	0.72
		kW	2.53	2.53	2.53	2.53	/	2.53	2.53	2.53
	95	TC	35.0	35.0	35.0	35.7	/	37.2	37.2	37.2
		S/T	0.38	0.57	0.76	1.00	/	0.38	0.56	0.74
		kW	2.80	2.80	2.80	2.80	/	2.80	2.80	2.80
	105	TC	32.9	32.9	32.9	33.6	/	35.0	35.0	35.0
		S/T	0.38	0.58	0.78	1.00	/	0.38	0.57	0.76
		kW	3.10	3.10	3.10	3.10	/	3.12	3.12	3.12
	115	TC	30.6	30.6	30.6	31.2	/	32.6	32.6	32.6
		S/T	0.38	0.59	0.81	1.00	/	0.38	0.59	0.79
		kW	3.45	3.45	3.45	3.45	/	3.47	3.47	3.47

Notes:

TC: Total capacity; **S/T:** the rate of sensible heat and total capacity; **kW:** Total input power.

COOLING DATA: MOVA-36HN1-M16 + MVA-3642WN1-M16P

MOVA-36HN1-M16 + MVA-3642WN1-M16P										
INDOOR AIRFLOW (CFM)	OUTDOOR DB (°F)	IWB (°F)	67				71			
		IDB (°F)	70	75	80	85	70	75	80	85
1350	65	TC	41.7	41.7	41.7	41.7	/	44.1	44.1	44.1
		S/T	0.38	0.56	0.74	0.92	/	0.38	0.55	0.72
		kW	2.06	2.06	2.06	2.06	/	2.05	2.05	2.05
	75	TC	39.7	39.7	39.7	39.7	/	42.1	42.1	42.1
		S/T	0.38	0.57	0.76	0.94	/	0.38	0.56	0.74
		kW	2.32	2.32	2.32	2.32	/	2.32	2.32	2.32
	85	TC	37.7	37.7	37.7	38.5	/	40.0	40.0	40.0
		S/T	0.38	0.58	0.78	1.00	/	0.38	0.57	0.76
		kW	2.58	2.58	2.58	2.58	/	2.59	2.59	2.59
	95	TC	35.7	35.7	35.7	36.4	/	37.9	37.9	37.9
		S/T	0.38	0.59	0.80	1.00	/	0.38	0.58	0.78
		kW	2.86	2.86	2.86	2.86	/	2.87	2.87	2.87
	105	TC	33.6	33.6	33.6	34.3	/	35.7	35.7	35.7
		S/T	0.38	0.60	0.82	1.00	/	0.38	0.59	0.80
		kW	3.17	3.17	3.17	3.17	/	3.19	3.19	3.19
	115	TC	31.2	31.2	31.2	31.8	/	33.3	33.3	33.3
		S/T	0.38	0.61	0.85	1.00	/	0.38	0.61	0.83
		kW	3.52	3.52	3.52	3.52	/	3.55	3.55	3.55

Notes:

TC: Total capacity; **S/T:** the rate of sensible heat and total capacity; **kW:** Total input power.

COOLING DATA: MOVA-42HN1-M16 + MVA-3642WN1-M16P

MOVA-42HN1-M16 + MVA-3642WN1-M16P										
INDOOR AIRFLOW (CFM)	OUTDOOR DB (°F)	IWB (°F)	59				63			
		IDB (°F)	70	75	80	85	70	75	80	85
1230	65	TC	42.8	42.8	43.7	44.6	45.4	45.4	45.4	46.3
		S/T	0.72	0.88	1.00	1.00	0.55	0.70	0.85	0.99
		kW	2.40	2.40	2.40	2.40	2.38	2.38	2.38	2.38
	75	TC	40.6	40.6	41.4	42.2	43.2	43.2	43.2	44.1
		S/T	0.73	0.90	1.00	1.00	0.55	0.71	0.87	1.00
		kW	2.67	2.67	2.67	2.67	2.67	2.67	2.67	2.67
	85	TC	38.5	38.5	39.3	40.1	41.0	41.0	41.0	41.8
		S/T	0.74	0.92	1.00	1.00	0.56	0.72	0.89	1.00
		kW	2.96	2.96	2.96	2.96	2.96	2.96	2.96	2.96
	95	TC	36.4	36.4	37.1	37.8	38.7	38.7	38.7	39.5
		S/T	0.76	0.94	1.00	1.00	0.56	0.74	0.91	1.00
		kW	3.26	3.26	3.26	3.26	3.28	3.28	3.28	3.28
	105	TC	34.1	34.8	35.5	36.2	36.4	36.4	36.4	37.1
		S/T	0.77	0.96	1.00	1.00	0.57	0.76	0.94	1.00
		kW	3.61	3.61	3.61	3.61	3.63	3.63	3.63	3.63
	115	TC	31.6	32.2	32.8	33.5	33.8	33.8	34.5	35.2
		S/T	0.80	1.00	1.00	1.00	0.58	0.78	0.97	1.00
		kW	4.01	4.01	4.01	4.01	4.03	4.03	4.03	4.03
1400	65	TC	43.7	43.7	44.6	45.5	46.3	46.3	46.3	47.2
		S/T	0.74	0.92	1.00	1.00	0.56	0.72	0.89	1.00
		kW	2.45	2.45	2.45	2.45	2.43	2.43	2.43	2.43
	75	TC	41.4	41.4	42.2	43.0	44.0	44.0	44.0	44.9
		S/T	0.76	0.94	1.00	1.00	0.56	0.74	0.91	1.00
		kW	2.73	2.73	2.73	2.73	2.73	2.73	2.73	2.73
	85	TC	39.3	40.1	40.9	41.7	41.8	41.8	41.8	42.6
		S/T	0.77	0.96	1.00	1.00	0.57	0.75	0.94	1.00
		kW	3.02	3.02	3.02	3.02	3.02	3.02	3.02	3.02
	95	TC	37.1	37.8	38.6	39.4	39.5	39.5	40.3	41.1
		S/T	0.79	0.99	1.00	1.00	0.57	0.77	1.00	1.00
		kW	3.33	3.33	3.33	3.33	3.35	3.35	3.35	3.35
	105	TC	34.8	35.5	36.2	36.9	37.1	37.1	37.8	38.6
		S/T	0.81	1.00	1.00	1.00	0.58	0.79	1.00	1.00
		kW	3.69	3.69	3.69	3.69	3.70	3.70	3.70	3.70
	115	TC	32.2	32.8	33.5	34.2	34.5	34.5	35.2	35.9
		S/T	0.83	1.00	1.00	1.00	0.59	0.82	1.00	1.00
		kW	4.10	4.10	4.10	4.10	4.12	4.12	4.12	4.12

Notes:

TC: Total capacity; **S/T:** the rate of sensible heat and total capacity; **kW:** Total input power.

COOLING DATA: MOVA-42HN1-M16 + MVA-3642WN1-M16P

MOVA-42HN1-M16 + MVA-3642WN1-M16P										
INDOOR AIRFLOW (CFM)	OUTDOOR DB (°F)	IWB (°F)	59				63			
		IDB (°F)	70	75	80	85	70	75	80	85
1580	65	TC	44.5	45.4	46.3	47.2	47.2	47.2	47.2	48.1
		S/T	0.77	0.96	1.00	1.00	0.57	0.75	0.94	1.00
		kW	2.50	2.50	2.50	2.50	2.48	2.48	2.48	2.48
	75	TC	42.2	43.0	43.9	44.8	44.9	44.9	45.8	46.7
		S/T	0.79	0.98	1.00	1.00	0.57	0.77	1.00	1.00
		kW	2.79	2.79	2.79	2.79	2.78	2.78	2.78	2.78
	85	TC	40.0	40.8	41.6	42.4	42.6	42.6	43.5	44.4
		S/T	0.80	1.00	1.00	1.00	0.58	0.78	1.00	1.00
		kW	3.08	3.08	3.08	3.08	3.09	3.09	3.09	3.09
	95	TC	37.8	38.6	39.4	40.2	40.2	40.2	41.0	41.8
		S/T	0.82	1.00	1.00	1.00	0.59	0.81	1.00	1.00
		kW	3.40	3.40	3.40	3.40	3.41	3.41	3.41	3.41
	105	TC	35.4	36.1	36.8	37.5	37.8	37.8	38.6	39.4
		S/T	0.84	1.00	1.00	1.00	0.60	0.83	1.00	1.00
		kW	3.77	3.77	3.77	3.77	3.78	3.78	3.78	3.78
	115	TC	32.9	33.6	34.3	35.0	35.1	35.1	35.8	36.5
		S/T	0.87	1.00	1.00	1.00	0.61	0.86	1.00	1.00
		kW	4.19	4.19	4.19	4.19	4.20	4.20	4.20	4.20

Notes:

TC: Total capacity; **S/T:** the rate of sensible heat and total capacity; **kW:** Total input power.

COOLING DATA: MOVA-42HN1-M16 + MVA-3642WN1-M16P

MOVA-42HN1-M16 + MVA-3642WN1-M16P										
INDOOR AIRFLOW (CFM)	OUTDOOR DB (°F)	IWB (°F)	67				71			
		IDB (°F)	70	75	80	85	70	75	80	85
1230	65	TC	48.1	48.1	48.1	48.1	/	50.9	50.9	50.9
		S/T	0.39	0.53	0.68	0.82	/	0.39	0.52	0.65
		kW	2.37	2.37	2.37	2.37	/	2.36	2.36	2.36
	75	TC	45.8	45.8	45.8	45.8	/	48.5	48.5	48.5
		S/T	0.39	0.54	0.69	0.84	/	0.39	0.53	0.67
		kW	2.67	2.67	2.67	2.67	/	2.67	2.67	2.67
	85	TC	43.5	43.5	43.5	43.5	/	46.2	46.2	46.2
		S/T	0.39	0.55	0.70	0.86	/	0.38	0.53	0.68
		kW	2.97	2.97	2.97	2.97	/	2.98	2.98	2.98
	95	TC	41.2	41.2	41.2	41.2	/	43.8	43.8	43.8
		S/T	0.39	0.55	0.72	0.88	/	0.38	0.54	0.69
		kW	3.29	3.29	3.29	3.29	/	3.31	3.31	3.31
	105	TC	38.7	38.7	38.7	38.7	/	41.2	41.2	41.2
		S/T	0.38	0.56	0.73	0.91	/	0.38	0.55	0.71
		kW	3.65	3.65	3.65	3.65	/	3.67	3.67	3.67
	115	TC	36.0	36.0	36.0	36.7	/	38.4	38.4	38.4
		S/T	0.38	0.57	0.76	0.94	/	0.38	0.56	0.74
		kW	4.05	4.05	4.05	4.05	/	4.08	4.08	4.08
1400	65	TC	49.1	49.1	49.1	49.1	/	51.9	51.9	51.9
		S/T	0.39	0.55	0.70	0.86	/	0.38	0.53	0.68
		kW	2.42	2.42	2.42	2.42	/	2.41	2.41	2.41
	75	TC	46.7	46.7	46.7	46.7	/	49.5	49.5	49.5
		S/T	0.39	0.55	0.72	0.88	/	0.38	0.54	0.70
		kW	2.72	2.72	2.72	2.72	/	2.72	2.72	2.72
	85	TC	44.4	44.4	44.4	44.4	/	47.1	47.1	47.1
		S/T	0.38	0.56	0.73	0.91	/	0.38	0.55	0.71
		kW	3.03	3.03	3.03	3.03	/	3.04	3.04	3.04
	95	TC	42.0	42.0	42.0	42.0	/	44.6	44.6	44.6
		S/T	0.38	0.57	0.75	0.93	/	0.38	0.56	0.73
		kW	3.36	3.36	3.36	3.36	/	3.36	3.36	3.36
	105	TC	39.5	39.5	39.5	40.3	/	42.0	42.0	42.0
		S/T	0.38	0.58	0.77	1.00	/	0.38	0.57	0.75
		kW	3.72	3.72	3.72	3.72	/	3.75	3.75	3.75
	115	TC	36.7	36.7	36.7	37.4	/	39.1	39.1	39.1
		S/T	0.38	0.59	0.80	1.00	/	0.38	0.58	0.78
		kW	4.14	4.14	4.14	4.14	/	4.17	4.17	4.17

Notes:

TC: Total capacity; **S/T:** the rate of sensible heat and total capacity; **kW:** Total input power.

COOLING DATA: MOVA-42HN1-M16 + MVA-3642WN1-M16P

MOVA-42HN1-M16 + MVA-3642WN1-M16P										
INDOOR AIRFLOW (CFM)	OUTDOOR DB (°F)	IWB (°F)	67				71			
		IDB (°F)	70	75	80	85	70	75	80	85
1580	65	TC	50.0	50.0	50.0	50.0	/	52.9	52.9	52.9
		S/T	0.38	0.56	0.73	0.91	/	0.38	0.55	0.71
		kW	2.47	2.47	2.47	2.47	/	2.46	2.46	2.46
	75	TC	47.6	47.6	47.6	47.6	/	50.4	50.4	50.4
		S/T	0.38	0.57	0.75	0.93	/	0.38	0.56	0.73
		kW	2.78	2.78	2.78	2.78	/	2.78	2.78	2.78
	85	TC	45.2	45.2	45.2	46.1	/	48.0	48.0	48.0
		S/T	0.38	0.57	0.77	1.00	/	0.38	0.56	0.75
		kW	3.09	3.09	3.09	3.09	/	3.10	3.10	3.10
	95	TC	42.8	42.8	42.8	43.7	/	45.5	45.5	45.5
		S/T	0.38	0.58	0.79	1.00	/	0.38	0.57	0.77
		kW	3.43	3.43	3.43	3.43	/	3.45	3.45	3.45
	105	TC	40.2	40.2	40.2	41.0	/	42.8	42.8	42.8
		S/T	0.38	0.59	0.81	1.00	/	0.38	0.59	0.79
		kW	3.80	3.80	3.80	3.80	/	3.82	3.82	3.82
	115	TC	37.4	37.4	37.4	38.1	/	39.9	39.9	39.9
		S/T	0.38	0.61	0.84	1.00	/	0.38	0.60	0.82
		kW	4.23	4.23	4.23	4.23	/	4.25	4.25	4.25

Notes:

TC: Total capacity; **S/T:** the rate of sensible heat and total capacity; **kW:** Total input power.

COOLING DATA: MOVA-48HN1-M16 + MVA-4860WN1-M16P

MOVA-48HN1-M16 + MVA-4860WN1-M16P										
INDOOR AIRFLOW (CFM)	OUTDOOR DB (°F)	IWB (°F)	59				63			
		IDB (°F)	70	75	80	85	70	75	80	85
1440	65	TC	47.4	47.4	48.3	49.3	50.3	50.3	50.3	51.3
		S/T	0.73	0.90	1.00	1.00	0.55	0.71	0.87	1.00
		kW	2.66	2.66	2.66	2.66	2.64	2.64	2.64	2.64
	75	TC	45.0	45.0	45.9	46.8	47.8	47.8	47.8	48.8
		S/T	0.74	0.92	1.00	1.00	0.56	0.72	0.89	1.00
		kW	2.96	2.96	2.96	2.96	2.96	2.96	2.96	2.96
	85	TC	42.6	42.6	43.5	44.4	45.4	45.4	45.4	46.3
		S/T	0.76	0.94	1.00	1.00	0.56	0.74	0.91	1.00
		kW	3.28	3.28	3.28	3.28	3.29	3.29	3.29	3.29
	95	TC	40.3	41.1	41.9	42.7	42.9	42.9	42.9	43.8
		S/T	0.77	0.96	1.00	1.00	0.57	0.75	0.94	1.00
		kW	3.62	3.62	3.62	3.62	3.63	3.63	3.63	3.63
	105	TC	37.8	38.6	39.4	40.2	40.3	40.3	41.1	41.9
		S/T	0.79	0.99	1.00	1.00	0.58	0.77	0.96	1.00
		kW	4.01	4.01	4.01	4.01	4.02	4.02	4.02	4.02
	115	TC	35.0	35.7	36.4	37.1	37.4	37.4	38.1	38.9
		S/T	0.82	1.00	1.00	1.00	0.59	0.80	1.00	1.00
		kW	4.45	4.45	4.45	4.45	4.47	4.47	4.47	4.47
1650	65	TC	48.4	49.4	50.4	51.4	51.3	51.3	51.3	52.3
		S/T	0.76	0.94	1.00	1.00	0.56	0.74	0.92	1.00
		kW	2.71	2.71	2.71	2.71	2.69	2.69	2.69	2.69
	75	TC	45.9	46.8	47.7	48.7	48.7	48.7	48.7	49.7
		S/T	0.77	0.96	1.00	1.00	0.57	0.76	0.94	1.00
		kW	3.02	3.02	3.02	3.02	3.02	3.02	3.02	3.02
	85	TC	43.5	44.4	45.3	46.2	46.2	46.2	47.1	48.0
		S/T	0.79	0.99	1.00	1.00	0.58	0.77	1.00	1.00
		kW	3.34	3.34	3.34	3.34	3.35	3.35	3.35	3.35
	95	TC	41.1	41.9	42.7	43.6	43.7	43.7	44.6	45.5
		S/T	0.81	1.00	1.00	1.00	0.58	0.79	1.00	1.00
		kW	3.69	3.69	3.69	3.69	3.70	3.70	3.70	3.70
	105	TC	38.5	39.3	40.1	40.9	41.1	41.1	41.9	42.7
		S/T	0.83	1.00	1.00	1.00	0.59	0.81	1.00	1.00
		kW	4.08	4.08	4.08	4.08	4.10	4.10	4.10	4.10
	115	TC	35.7	36.4	37.1	37.8	38.1	38.1	38.9	39.7
		S/T	0.86	1.00	1.00	1.00	0.60	0.84	1.00	1.00
		kW	4.54	4.54	4.54	4.54	4.56	4.56	4.56	4.56

Notes:

TC: Total capacity; **S/T:** the rate of sensible heat and total capacity; **kW:** Total input power.

COOLING DATA: MOVA-48HN1-M16 + MVA-4860WN1-M16P

MOVA-48HN1-M16 + MVA-4860WN1-M16P										
INDOOR AIRFLOW (CFM)	OUTDOOR DB (°F)	IWB (°F)	59				63			
		IDB (°F)	70	75	80	85	70	75	80	85
1860	65	TC	49.3	50.3	51.3	52.3	52.3	52.3	53.3	54.4
		S/T	0.79	0.99	1.00	1.00	0.58	0.77	1.00	1.00
		kW	2.76	2.76	2.76	2.76	2.74	2.74	2.74	2.74
	75	TC	46.8	47.7	48.7	49.7	49.7	49.7	50.7	51.7
		S/T	0.80	1.00	1.00	1.00	0.58	0.79	1.00	1.00
		kW	3.08	3.08	3.08	3.08	3.07	3.07	3.07	3.07
	85	TC	44.3	45.2	46.1	47.0	47.1	47.1	48.0	49.0
		S/T	0.82	1.00	1.00	1.00	0.59	0.81	1.00	1.00
		kW	3.41	3.41	3.41	3.41	3.41	3.41	3.41	3.41
	95	TC	41.8	42.6	43.5	44.4	44.6	44.6	45.5	46.4
		S/T	0.84	1.00	1.00	1.00	0.60	0.83	1.00	1.00
		kW	3.76	3.76	3.76	3.76	3.77	3.77	3.77	3.77
	105	TC	39.2	40.0	40.8	41.6	41.9	41.9	42.7	43.6
		S/T	0.87	1.00	1.00	1.00	0.61	0.85	1.00	1.00
		kW	4.16	4.16	4.16	4.16	4.18	4.18	4.18	4.18
	115	TC	36.4	37.1	37.8	38.6	38.9	38.9	39.7	40.5
		S/T	0.90	1.00	1.00	1.00	0.62	0.89	1.00	1.00
		kW	4.62	4.62	4.62	4.62	4.64	4.64	4.64	4.64

Notes:

TC: Total capacity; **S/T:** the rate of sensible heat and total capacity; **kW:** Total input power.

COOLING DATA: MOVA-48HN1-M16 + MVA-4860WN1-M16P

MOVA-48HN1-M16 + MVA-4860WN1-M16P										
INDOOR AIRFLOW (CFM)	OUTDOOR DB (°F)	IWB (°F)	67				71			
		IDB (°F)	70	75	80	85	70	75	80	85
1440	65	TC	53.3	53.3	53.3	53.3	/	56.4	56.4	56.4
		S/T	0.39	0.54	0.69	0.84	/	0.39	0.53	0.67
		kW	2.63	2.63	2.63	2.63	/	2.61	2.61	2.61
	75	TC	50.7	50.7	50.7	50.7	/	53.7	53.7	53.7
		S/T	0.39	0.55	0.70	0.86	/	0.38	0.53	0.68
		kW	2.96	2.96	2.96	2.96	/	2.96	2.96	2.96
	85	TC	48.2	48.2	48.2	48.2	/	51.1	51.1	51.1
		S/T	0.39	0.55	0.72	0.88	/	0.38	0.54	0.69
		kW	3.29	3.29	3.29	3.29	/	3.30	3.30	3.30
	95	TC	45.6	45.6	45.6	45.6	/	48.4	48.4	48.4
		S/T	0.38	0.56	0.73	0.91	/	0.38	0.55	0.71
		kW	3.65	3.65	3.65	3.65	/	3.67	3.67	3.67
	105	TC	42.9	42.9	42.9	42.9	/	45.6	45.6	45.6
		S/T	0.38	0.57	0.75	0.94	/	0.38	0.56	0.73
		kW	4.04	4.04	4.04	4.04	/	4.07	4.07	4.07
	115	TC	39.9	39.9	39.9	40.7	/	42.5	42.5	42.5
		S/T	0.38	0.58	0.78	0.97	/	0.38	0.57	0.76
		kW	4.50	4.50	4.50	4.50	/	4.53	4.53	4.53
1650	65	TC	54.3	54.3	54.3	54.3	/	57.5	57.5	57.5
		S/T	0.39	0.55	0.72	0.89	/	0.38	0.54	0.70
		kW	2.68	2.68	2.68	2.68	/	2.66	2.66	2.66
	75	TC	51.7	51.7	51.7	51.7	/	54.8	54.8	54.8
		S/T	0.38	0.56	0.74	0.91	/	0.38	0.55	0.72
		kW	3.02	3.02	3.02	3.02	/	3.01	3.01	3.01
	85	TC	49.1	49.1	49.1	49.1	/	52.1	52.1	52.1
		S/T	0.38	0.57	0.75	0.94	/	0.38	0.56	0.73
		kW	3.36	3.36	3.36	3.36	/	3.37	3.37	3.37
	95	TC	46.5	46.5	46.5	47.4	/	49.4	49.4	49.4
		S/T	0.38	0.58	0.77	1.00	/	0.38	0.57	0.75
		kW	3.72	3.72	3.72	3.72	/	3.72	3.72	3.72
	105	TC	43.7	43.7	43.7	44.6	/	46.5	46.5	46.5
		S/T	0.38	0.59	0.80	1.00	/	0.38	0.58	0.77
		kW	4.12	4.12	4.12	4.12	/	4.15	4.15	4.15
	115	TC	40.7	40.7	40.7	41.5	/	43.3	43.3	43.3
		S/T	0.38	0.60	0.82	1.00	/	0.38	0.59	0.80
		kW	4.58	4.58	4.58	4.58	/	4.61	4.61	4.61

Notes:

TC: Total capacity; **S/T:** the rate of sensible heat and total capacity; **kW:** Total input power.

COOLING DATA: MOVA-48HN1-M16 + MVA-4860WN1-M16P

MOVA-48HN1-M16 + MVA-4860WN1-M16P										
INDOOR AIRFLOW (CFM)	OUTDOOR DB (°F)	IWB (°F)	67				71			
		IDB (°F)	70	75	80	85	70	75	80	85
1860	65	TC	55.4	55.4	55.4	55.4	/	58.6	58.6	58.6
		S/T	0.38	0.57	0.75	0.94	/	0.38	0.56	0.73
		kW	2.73	2.73	2.73	2.73	/	2.71	2.71	2.71
	75	TC	52.7	52.7	52.7	53.8	/	55.8	55.8	55.8
		S/T	0.38	0.58	0.77	1.00	/	0.38	0.57	0.75
		kW	3.07	3.07	3.07	3.07	/	3.07	3.07	3.07
	85	TC	50.1	50.1	50.1	51.1	/	53.1	53.1	53.1
		S/T	0.38	0.58	0.79	1.00	/	0.38	0.58	0.77
		kW	3.42	3.42	3.42	3.42	/	3.43	3.43	3.43
	95	TC	47.4	47.4	47.4	48.3	/	50.4	50.4	50.4
		S/T	0.38	0.59	0.81	1.00	/	0.38	0.59	0.79
		kW	3.79	3.79	3.79	3.79	/	3.81	3.81	3.81
	105	TC	44.6	44.6	44.6	45.5	/	47.4	47.4	47.4
		S/T	0.38	0.61	0.84	1.00	/	0.38	0.60	0.82
		kW	4.20	4.20	4.20	4.20	/	4.23	4.23	4.23
	115	TC	41.5	41.5	41.5	42.3	/	44.2	44.2	44.2
		S/T	0.37	0.62	0.87	1.00	/	0.38	0.62	0.85
		kW	4.67	4.67	4.67	4.67	/	4.70	4.70	4.70

Notes:

TC: Total capacity; **S/T:** the rate of sensible heat and total capacity; **kW:** Total input power.

COOLING DATA: MOVA-60HN1-M16 + MVA-4860WN1-M16P+TXV

MOVA-60HN1-M16 + MVA-4860WN1-M16P+TXV											
INDOOR AIRFLOW (CFM)	OUTDOOR DB (°F)	IWB (°F)	59				63				
		IDB (°F)	70	75	80	85	70	75	80	85	
1600	65	TC	58.7	58.7	59.9	61.1	62.2	62.2	62.2	63.4	
		S/T	0.71	0.86	1.00	1.00	0.54	0.69	0.83	0.96	
		kW	3.28	3.28	3.28	3.28	3.26	3.26	3.26	3.26	
	75	TC	55.6	55.6	56.7	57.8	59.1	59.1	59.1	60.3	
		S/T	0.72	0.88	1.00	1.00	0.55	0.70	0.85	0.99	
		kW	3.66	3.66	3.66	3.66	3.66	3.66	3.66	3.66	
	85	TC	52.7	52.7	53.8	54.9	56.1	56.1	56.1	57.2	
		S/T	0.73	0.90	1.00	1.00	0.55	0.71	0.87	1.00	
		kW	4.05	4.05	4.05	4.05	4.06	4.06	4.06	4.06	
	95	TC	49.8	49.8	50.8	51.8	53.0	53.0	53.0	54.1	
		S/T	0.74	0.92	1.00	1.00	0.56	0.72	0.89	1.00	
		kW	4.47	4.47	4.47	4.47	4.49	4.49	4.49	4.49	
	105	TC	46.7	47.6	48.6	49.6	49.8	49.8	49.8	50.8	
		S/T	0.76	0.94	1.00	1.00	0.56	0.74	0.92	1.00	
		kW	4.95	4.95	4.95	4.95	4.97	4.97	4.97	4.97	
	115	TC	43.3	44.2	45.1	46.0	46.3	46.3	47.2	48.1	
		S/T	0.78	0.97	1.00	1.00	0.57	0.76	0.94	1.00	
		kW	5.50	5.50	5.50	5.50	5.53	5.53	5.53	5.53	
	1830	65	TC	59.8	59.8	61.0	62.2	63.4	63.4	63.4	64.7
			S/T	0.73	0.90	1.00	1.00	0.55	0.71	0.87	1.00
			kW	3.35	3.35	3.35	3.35	3.33	3.33	3.33	3.33
		75	TC	56.7	56.7	57.8	59.0	60.3	60.3	60.3	61.5
			S/T	0.74	0.92	1.00	1.00	0.56	0.72	0.89	1.00
			kW	3.74	3.74	3.74	3.74	3.73	3.73	3.73	3.73
85		TC	53.8	54.9	56.0	57.1	57.2	57.2	57.2	58.3	
		S/T	0.76	0.94	1.00	1.00	0.56	0.74	0.92	1.00	
		kW	4.13	4.13	4.13	4.13	4.14	4.14	4.14	4.14	
95		TC	50.8	51.8	52.8	53.9	54.1	54.1	54.1	55.2	
		S/T	0.77	0.96	1.00	1.00	0.57	0.76	0.94	1.00	
		kW	4.56	4.56	4.56	4.56	4.58	4.58	4.58	4.58	
105		TC	47.6	48.6	49.6	50.6	50.8	50.8	51.8	52.8	
		S/T	0.79	0.99	1.00	1.00	0.58	0.78	1.00	1.00	
		kW	5.05	5.05	5.05	5.05	5.07	5.07	5.07	5.07	
115		TC	44.2	45.1	46.0	46.9	47.2	47.2	48.1	49.1	
		S/T	0.82	1.00	1.00	1.00	0.59	0.80	1.00	1.00	
		kW	5.61	5.61	5.61	5.61	5.64	5.64	5.64	5.64	

Notes:

TC: Total capacity; **S/T:** the rate of sensible heat and total capacity; **kW:** Total input power.

COOLING DATA: MOVA-60HN1-M16 + MVA-4860WN1-M16P+TXV

MOVA-60HN1-M16 + MVA-4860WN1-M16P+TXV										
INDOOR AIRFLOW (CFM)	OUTDOOR DB (°F)	IWB (°F)	59				63			
		IDB (°F)	70	75	80	85	70	75	80	85
2060	65	TC	61.0	61.0	62.2	63.4	64.7	64.7	64.7	66.0
		S/T	0.76	0.94	1.00	1.00	0.56	0.74	0.91	1.00
		kW	3.41	3.41	3.41	3.41	3.40	3.40	3.40	3.40
	75	TC	57.9	59.1	60.3	61.5	61.5	61.5	61.5	62.7
		S/T	0.77	0.96	1.00	1.00	0.57	0.75	0.94	1.00
		kW	3.81	3.81	3.81	3.81	3.81	3.81	3.81	3.81
	85	TC	54.9	56.0	57.1	58.2	58.4	58.4	59.6	60.8
		S/T	0.79	0.98	1.00	1.00	0.57	0.77	1.00	1.00
		kW	4.21	4.21	4.21	4.21	4.22	4.22	4.22	4.22
	95	TC	51.8	52.8	53.9	55.0	55.2	55.2	56.3	57.4
		S/T	0.80	1.00	1.00	1.00	0.58	0.79	1.00	1.00
		kW	4.65	4.65	4.65	4.65	4.67	4.67	4.67	4.67
	105	TC	48.6	49.6	50.6	51.6	51.8	51.8	52.8	53.9
		S/T	0.83	1.00	1.00	1.00	0.59	0.81	1.00	1.00
		kW	5.15	5.15	5.15	5.15	5.17	5.17	5.17	5.17
	115	TC	45.1	46.0	46.9	47.8	48.2	48.2	49.2	50.2
		S/T	0.85	1.00	1.00	1.00	0.60	0.84	1.00	1.00
		kW	5.72	5.72	5.72	5.72	5.75	5.75	5.75	5.75

Notes:

TC: Total capacity; **S/T:** the rate of sensible heat and total capacity; **kW:** Total input power.

COOLING DATA: MOVA-60HN1-M16 + MVA-4860WN1-M16P+TXV

MOVA-60HN1-M16 + MVA-4860WN1-M16P+TXV										
INDOOR AIRFLOW (CFM)	OUTDOOR DB (°F)	IWB (°F)	67				71			
		IDB (°F)	70	75	80	85	70	75	80	85
1600	65	TC	65.9	65.9	65.9	65.9	/	69.7	69.7	69.7
		S/T	0.40	0.53	0.66	0.80	/	0.39	0.51	0.64
		kW	3.25	3.25	3.25	3.25	/	3.23	3.23	3.23
	75	TC	62.7	62.7	62.7	62.7	/	66.4	66.4	66.4
		S/T	0.39	0.53	0.67	0.82	/	0.39	0.52	0.65
		kW	3.66	3.66	3.66	3.66	/	3.66	3.66	3.66
	85	TC	59.6	59.6	59.6	59.6	/	63.2	63.2	63.2
		S/T	0.39	0.54	0.69	0.84	/	0.39	0.52	0.66
		kW	4.07	4.07	4.07	4.07	/	4.08	4.08	4.08
	95	TC	56.4	56.4	56.4	56.4	/	59.9	59.9	59.9
		S/T	0.39	0.55	0.70	0.86	/	0.38	0.53	0.68
		kW	4.51	4.51	4.51	4.51	/	4.53	4.53	4.53
	105	TC	53.0	53.0	53.0	53.0	/	56.4	56.4	56.4
		S/T	0.39	0.55	0.72	0.89	/	0.38	0.54	0.70
		kW	5.00	5.00	5.00	5.00	/	5.03	5.03	5.03
	115	TC	49.3	49.3	49.3	49.3	/	52.6	52.6	52.6
		S/T	0.38	0.56	0.74	0.92	/	0.38	0.55	0.72
		kW	5.56	5.56	5.56	5.56	/	5.59	5.59	5.59
1830	65	TC	67.2	67.2	67.2	67.2	/	71.1	71.1	71.1
		S/T	0.39	0.54	0.69	0.84	/	0.39	0.53	0.67
		kW	3.31	3.31	3.31	3.31	/	3.29	3.29	3.29
	75	TC	63.9	63.9	63.9	63.9	/	67.7	67.7	67.7
		S/T	0.39	0.55	0.70	0.86	/	0.38	0.53	0.68
		kW	3.73	3.73	3.73	3.73	/	3.73	3.73	3.73
	85	TC	60.7	60.7	60.7	60.7	/	64.5	64.5	64.5
		S/T	0.39	0.55	0.72	0.89	/	0.38	0.54	0.70
		kW	4.15	4.15	4.15	4.15	/	4.16	4.16	4.16
	95	TC	57.5	57.5	57.5	57.5	/	61.1	61.1	61.1
		S/T	0.38	0.56	0.74	0.91	/	0.38	0.55	0.71
		kW	4.60	4.60	4.60	4.60	/	4.60	4.60	4.60
	105	TC	54.1	54.1	54.1	54.1	/	57.5	57.5	57.5
		S/T	0.38	0.57	0.76	0.94	/	0.38	0.56	0.73
		kW	5.10	5.10	5.10	5.10	/	5.13	5.13	5.13
	115	TC	50.3	50.3	50.3	51.3	/	53.6	53.6	53.6
		S/T	0.38	0.58	0.78	1.00	/	0.38	0.57	0.76
		kW	5.67	5.67	5.67	5.67	/	5.70	5.70	5.70

Notes:

TC: Total capacity; **S/T:** the rate of sensible heat and total capacity; **kW:** Total input power.

COOLING DATA: MOVA-60HN1-M16 + MVA-4860WN1-M16P+TXV

MOVA-60HN1-M16 + MVA-4860WN1-M16P+TXV										
INDOOR AIRFLOW (CFM)	OUTDOOR DB (°F)	IWB (°F)	67				71			
		IDB (°F)	70	75	80	85	70	75	80	85
2060	65	TC	68.6	68.6	68.6	68.6	/	72.6	72.6	72.6
		S/T	0.39	0.55	0.72	0.88	/	0.38	0.54	0.70
		kW	3.38	3.38	3.38	3.38	/	3.36	3.36	3.36
	75	TC	65.2	65.2	65.2	65.2	/	69.2	69.2	69.2
		S/T	0.38	0.56	0.73	0.91	/	0.38	0.55	0.71
		kW	3.80	3.80	3.80	3.80	/	3.80	3.80	3.80
	85	TC	62.0	62.0	62.0	62.0	/	65.8	65.8	65.8
		S/T	0.38	0.57	0.75	0.93	/	0.38	0.56	0.73
		kW	4.23	4.23	4.23	4.23	/	4.25	4.25	4.25
	95	TC	58.7	58.7	58.7	59.9	/	62.4	62.4	62.4
		S/T	0.38	0.57	0.77	1.00	/	0.38	0.57	0.75
		kW	4.69	4.69	4.69	4.69	/	4.71	4.71	4.71
	105	TC	55.2	55.2	55.2	56.3	/	58.7	58.7	58.7
		S/T	0.38	0.58	0.79	1.00	/	0.38	0.58	0.77
		kW	5.20	5.20	5.20	5.20	/	5.23	5.23	5.23
	115	TC	51.3	51.3	51.3	52.3	/	54.7	54.7	54.7
		S/T	0.38	0.60	0.82	1.00	/	0.38	0.59	0.80
		kW	5.78	5.78	5.78	5.78	/	5.82	5.82	5.82

Notes:

TC: Total capacity; **S/T:** the rate of sensible heat and total capacity; **kW:** Total input power.

AHRI RATINGS

OUTDOOR UNIT	INDOOR UNITS	COOLING RATINGS				HEATING RATINGS		CFM	AHRI#
	COILS/AIR HANDLERS	TOTAL ¹	SENS. ²	SEER ³	EER ⁴	HighHeat ⁵	HSPF ⁶		
MOVA-18HN1-M16	MVA-1830WN1-M16P	18000	14000	15.00	12.50	17500	9.00	650	4640566
MOVA-24HN1-M16	MVA-1830WN1-M16P	24000	18200	15.00	12.50	23200	9.00	830	4640568
MOVA-30HN1-M16	MVA-1830WN1-M16P	30000	22400	15.00	12.50	28600	9.00	1000	4640569
MOVA-36HN1-M16	MVA-3642WN1-M16P	35000	26400	15.00	12.50	35000	9.00	1200	4579190
MOVA-42HN1-M16	MVA-3642WN1-M16P	42000	30000	15.00	12.50	42000	9.00	1400	4640567
MOVA-48HN1-M16	MVA-4860WN1-M16P	46500	35800	15.00	12.50	45000	9.00	1650	5360560
MOVA-60HN1-M16	MVA-4860WN1-M16P+TXV	57500	42000	15.00	12.50	55500	9.00	1830	5360561

1. Total cooling capacity [BTU/h];

3. Seasonal Energy Efficiency Ratio;

5. Heating Capacity @47°F [BTU/h];

2. Sensible Cooling capacity [BTU/h];

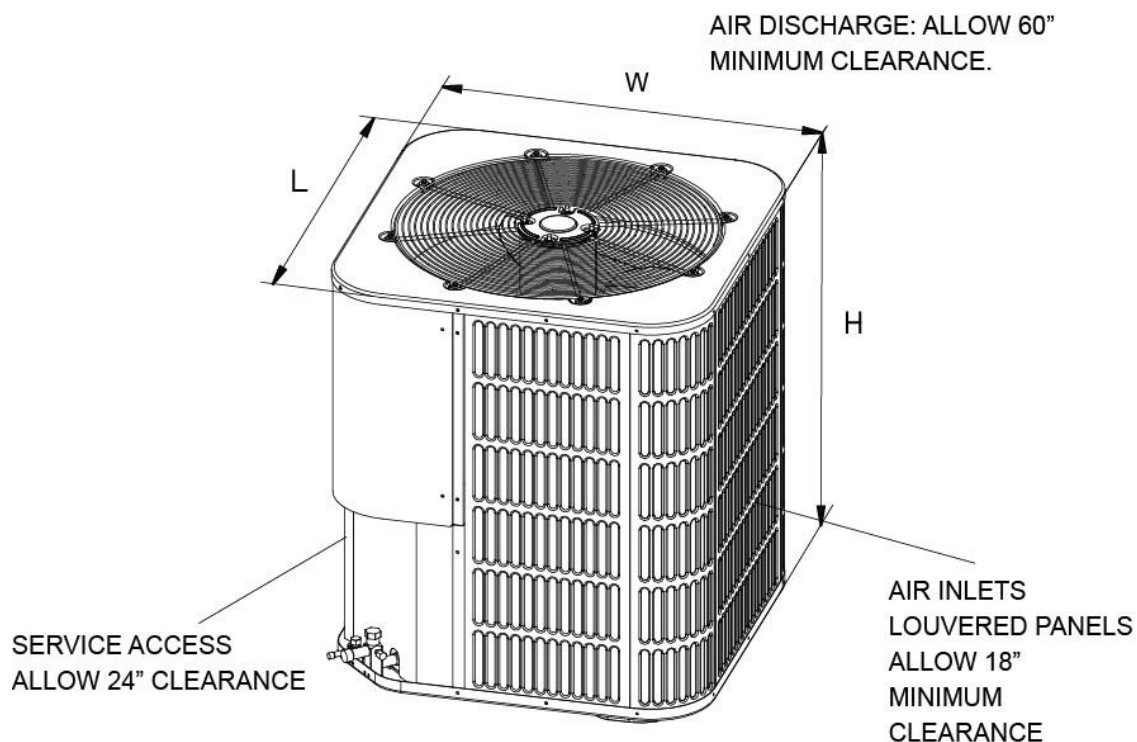
4. Energy Efficiency Ratio @ 95°F;

6. Heating Seasonal Performance Factor.

Notes:

- Always check the rating plate for electrical data on the unit being installed.
- The above data are for reference only, specific to the AHRI official inquiries shall prevail.

DIMENSIONS



NOTE: APPEARANCE OF UNIT MAY VARY.

MODEL SIZE	DIMENSIONS		
	"H" IN. [mm]	"W" IN. [mm]	"L" IN. [mm]
MOVA-18HN1-M16	24-15/16 [633]	28 [710]	28 [710]
MOVA-24HN1-M16	24-15/16 [633]	29-1/8 [740]	29-1/8 [740]
MOVA-30HN1-M16	24-15/16 [633]	29-1/8 [740]	29-1/8 [740]
MOVA-36HN1-M16	33-3/16 [843]	29-1/8 [740]	29-1/8 [740]
MOVA-42HN1-M16	33-3/16 [843]	29-1/8 [740]	29-1/8 [740]
MOVA-48HN1-M16	33-3/16 [843]	29-1/8 [740]	29-1/8 [740]
MOVA-60HN1-M16	33-3/16 [843]	29-1/8 [740]	29-1/8 [740]

LINING SIZE

Suction line length / size Vs Capacity multiplier (R410A):

System Capacity		1.5 Ton	2 Ton	2.5 Ton	3 Ton
Suction Line Connection Size		3/4" O.D.	3/4" O.D.	3/4" O.D.	7/8" O.D.
Suction Line Run-feet		5/8 Opt.	5/8 Opt.	5/8 Opt	3/4 Opt
		3/4" * Std.	3/4" * Std.	3/4" * Std.	7/8" * Std.
25	Optional	1.00	1.00	1.00	1.00
	Standard	1.00	1.00	1.00	1.00
50	Optional	0.97	0.97	0.97	0.98
	Standard	0.98	0.98	0.98	0.99
100	Optional	0.94	0.94	0.94	0.96
	Standard	0.95	0.95	0.96	0.97

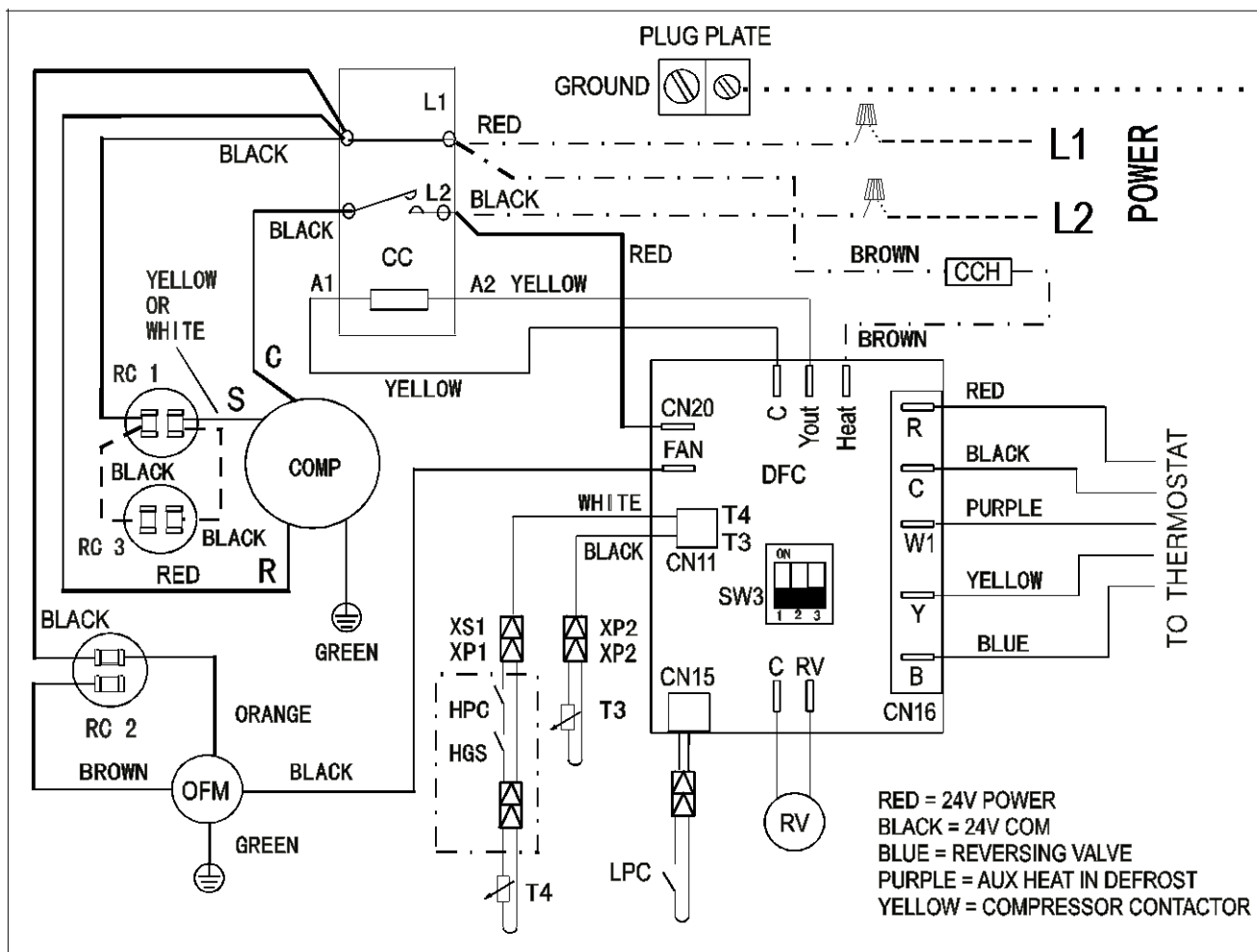
System Capacity		3.5 Ton	4 Ton	5 Ton
Suction Line Connection Size		7/8" O.D.	7/8" O.D.	7/8" O.D.
Suction Line Run-feet		3/4 Opt	1 1/8 Opt	1 1/8 Opt.
		7/8" * Std.	7/8" * Std.	7/8" * Std.
25	Optional	1.00	1.00	1.00
	Standard	1.00	0.99	0.99
50	Optional	0.98	0.98	0.98
	Standard	0.98	0.97	0.97
100	Optional	0.95	0.96	0.96
	Standard	0.97	0.94	0.94

Note:

1. *Standard size
2. Using suction line larger than shown in chart will result in poor oil return and is not recommended.

WIRING DIAGRAM

Wiring diagram:



	SW3-1	ON	MANUAL DEFROST
		OFF	AUTOMATIC DEFROST
	SW3-2	ON	RESERVED
		OFF	NORMAL DEFROST
	SW3-3	ON	DEFROSTING CYCLE: 30MIN
		OFF	DEFROSTING CYCLE: 60MIN

- STEADY ON = NORMAL OPERATION
- OFF = DFC FAILURE
- 1 FLASH = T3 SENSOR FAILURE
- 2 FLASH = T4 SENSOR FAILURE OR HGS OPEN
- 3 FLASH = LPC OPEN

- CC COMPRESSOR CONTACTOR
- CCH CRANKCASE HEATER
- COMP COMPRESSOR
- DFC DEFROST CONTROL
- T4 AMBIENT TEMPERATURE
- T3 PIPE TEMPERATURE
- HPC HIGH PRESSURE CUT-OUT CONTROL
- LPC LOW PRESSURE CUT-OUT CONTROL
- OFM OUTDOOR FAN MOTOR
- RC 1 RUN CAPACITOR 1
- RC 2 RUN CAPACITOR 2
- RC 3 RUN CAPACITOR 3
- RV REVERSING VALVE
- GND GROUND CHASSIS
- HGS HOT GAS SENSOR

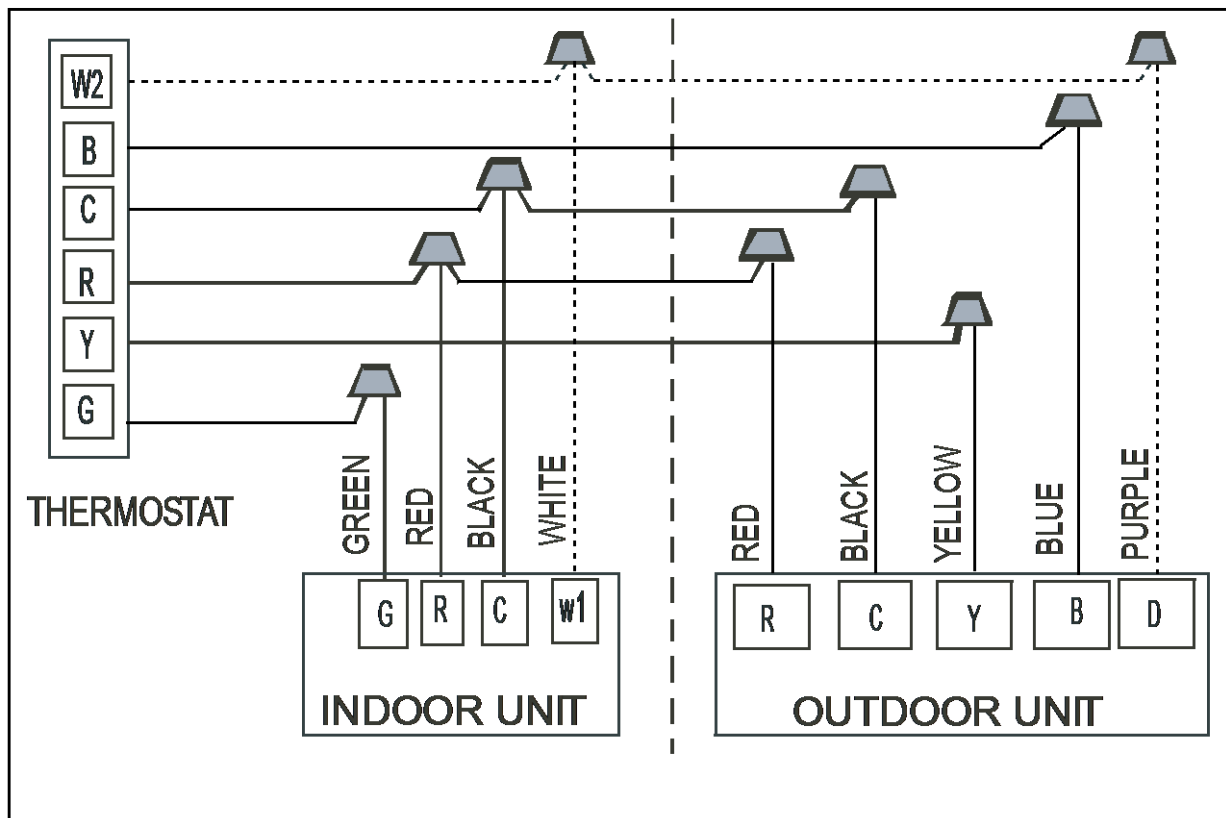
- LINE VOLTAGE
- FACTORY STANDARD _____
- FIELD INSTALLED (dashed)
- FACTORY OPTIONAL (dotted)

- LOW VOLTAGE
- FACTORY STANDARD _____
- FIELD INSTALLED (dashed)
- FACTORY OPTIONAL (dotted)
- USE COPPER CONDUCTORS ONLY

WARNING :
 CABINET MUST BE PERMANENTLY GROUNDED AND ALL WIRING TO CONFORM TO I.E.C, N.E.C, C.E.C, C.L.C, AND LOCAL CODES AS APPLICABLE REPLACEMENT WIRE MUST BE THE SAME GAUGE AND INSULATION TYPE AS ORIGINAL WIRE.

WIRING DIAGRAM

Thermostat wiring diagram:



Suggestion:

When choosing a thermostat, choose KJR-25B or a non-programmable electric thermostat series. Please refer to thermostat electrical manual for wiring schematic.

OPTIONAL ACCESSORIES LIST

Items	Accessories
a	Filter drier
b	Crankcase heater kit

[16HP-201606-02]: 在[16HP-201602-01]基础上更改参数和手册名称。

Commercial Air Conditioner Division
Midea Group

Add.: West Region of Midea Commercial Air Conditioner Department, Industry Avenue, Beijiao,
Shunde, Foshan, Guangdong, P.R.China.

Postal Code: 528311

Cac.midea.com

midea.com.cn

Midea CAC owns the rights to change the data without notice for product improvement.