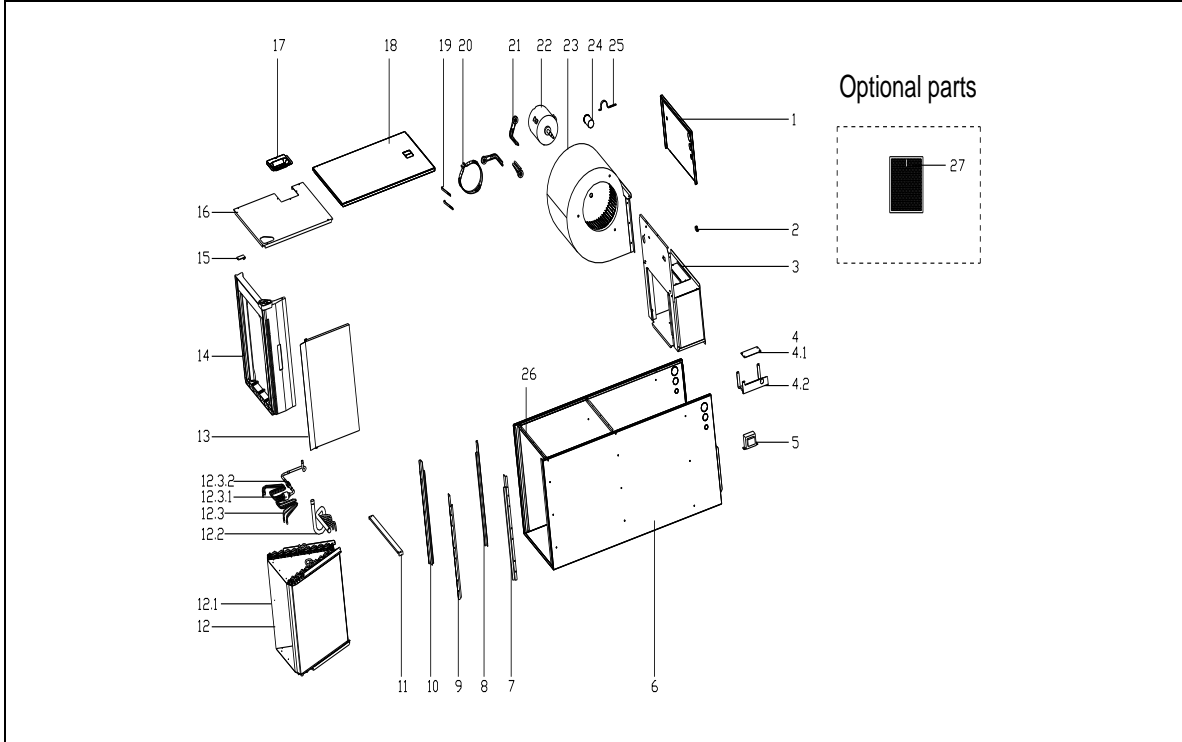


This document contains classified information.
 All individuals are strictly forbidden from any form of disclosure in whole or in part.
 Copy and/or distribution without expressed Midea consent is forbidden.

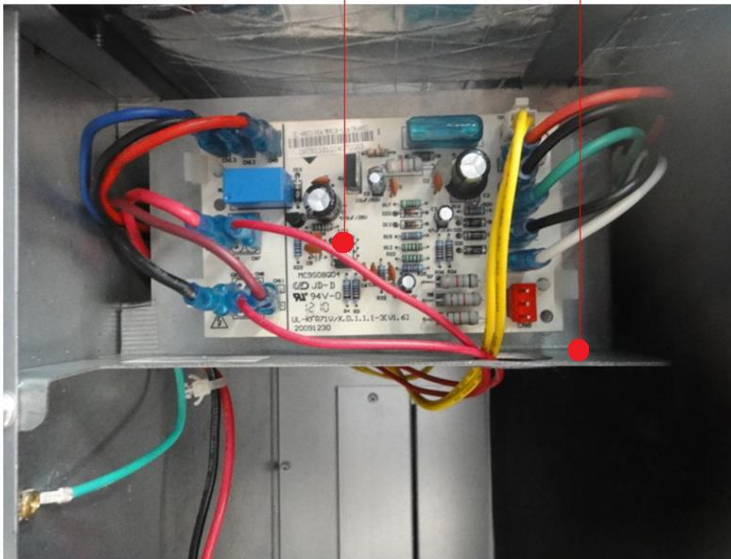
美的中央空调爆炸图 (Midea CAC Exploded view)

市场型号(Market model): MVA-30N1B
 产品型号(Product model): UL-KF90V/N1X-B
 产品编码(Product code): 22023011000944
 电源规格(Power supply): 208And230V_1Pn,FREQUENCY_60HZ 导出时间(Output time): 2017-12-15 14:42:59



4.1

4.2



序号	零部件名称	数量	物料编码	价格	代号	备注
----	-------	----	------	----	----	----

No.	Chinese Name	Part Name	Quantity	BOM Code	Price	Model	Remark
1	上前侧板组件(SB3053) RoHS U	Side board ass'y	1.0	12223000002190		UL-KF105V/N1X.4	
2	接线柱 RoHS JXZH-CuH62-a6.6	Wiring Terminal	1.0	11201708000008		JXZH-CuH62-a6.6	
3	风道组件 RoHS UL-KF105V/N1	Air duct ass'y	1.0	122230000002121		UL-KF105V/N1X.1	
4	室内电控盒组件 RoHS UL-KF160V/N1X-I	E-part box ass'y	1.0	172230000000470		UL-KF160V/N1X-I	
4.1	室内主控板组件(中央) RoHS UL	Main control board subassembly	1.0	171277000000037		UL-WKC105A/MN	
4.2	电器安装板 UL-KF105V/N1X.D.	Electric installation board	1.0	122230000002175		UL-KF105V/N1X.I	
5	线性变压器 RoHS TT220-EI66-2	Transformer	1.0	11203103000141		TT220-EI66-24/15	
6	底盘组件(SB3053) RoHS UL-KF	Base ass'y	1.0	122230000002373		UL-KF105V/N1X.1	
8	接水盘支撑焊合件II RoHS UL-KI	Drainage pan supporting board	2.0	122230000001935		UL-KF105V/N1X.6	
11	滤尘网盖板(SB3053,单面喷涂)	Filter Cover board	1.0	122230000001997		UL-KF105V/N1X.6	
12	蒸发器部件 RoHS UL-KF90V/N	Evaporator ass'y	1.0	158230000000589		UL-KF90V/N1X-M	
12.1	蒸发器(亲水/1.6) RoHS UL-KF1	Evaporator	2.0	158230000000624		UL-KF105V/N1X.2	
12.2	输出管组件 RoHS UL-KF105V/N	Outlet tube components	1.0	151230000001699		UL-KF105V/N1XB	
12.3	输入管组件 RoHS UL-KF90V/N	Input pipe ass'y	1.0	154230000000573		UL-KF90V/N1X-M	
12.3.1	分配器 RoHS FPQ-0804BT	Distributor	1.0	155005020000051		FPQ-0804BT	
12.3.2	节流阀 RoHS JLF(H)-063	Throttle	1.0	155002100000428		JLF(H)-063	
13	接水盘II(SB3053) RoHS UL-KF1	Drainage pan	1.0	122230000001206		UL-KF105V/N1X.7	
14	接水盘组件 RoHS UL-KF105V/N	Drain pan ass'y	1.0	121230000000114		UL-KF105V/N1X.1	
15	接水盘固定块 RoHS UL-KF71V	Water pan cushion	1.0	122230000000028		UL-KF71V/N1X-2	
16	下侧板组件(SB3053) RoHS UL-I	Underside board ass'y	1.0	122230000002226		UL-KF105V/N1X.3	
17	配管盖板组件(SB3053) RoHS S.	Cover plate ass'y	1.0	122230000002157		SA-KF71V/X.5	
18	上侧板组件(SB3053) RoHS UL-I	Side board ass'y	1.0	122230000002213		UL-KF105V/N1X.2	
19	接水盘拉条2 UL-KF71V/N1X-10	Bar 2, drainage pan	2.0	122230000002178		UL-KF71V/N1X-10	
20	电机支架 II RoHS UL-KF71V/N	Supporter of fan motor	1.0	122230000001992		UL-KF71V/N1X-2	
21	电机支架组件I RoHS UL-KF71V	Supporter subassembly of fan m	3.0	122230000001932		UL-KF71V/N1X.16	
22	单相异步电机 RoHS YKS-150-6	Single phase asynchronous mot	1.0	11002012001690		YKS-150-6-5	
23	风轮部件 RoHS LX-279*271*12.	Fan assembly	1.0	122001010000029		LX-279*271*12.7-	
24	压缩机电容 RoHS 10uF/450V-P	Capacitor of compressor	1.0	17400103000154		10uF/450V-P2(20	
25	接水盘拉条 UL-KF71V/N1X-10	Drainage pan clamp	1.0	122230000002177		UL-KF71V/N1X-10	
26	支撑条 RoHS UL-KF105V/N1X-I	Supporting bar	1.0	122231000000197		UL-KF105V/N1X-I	

