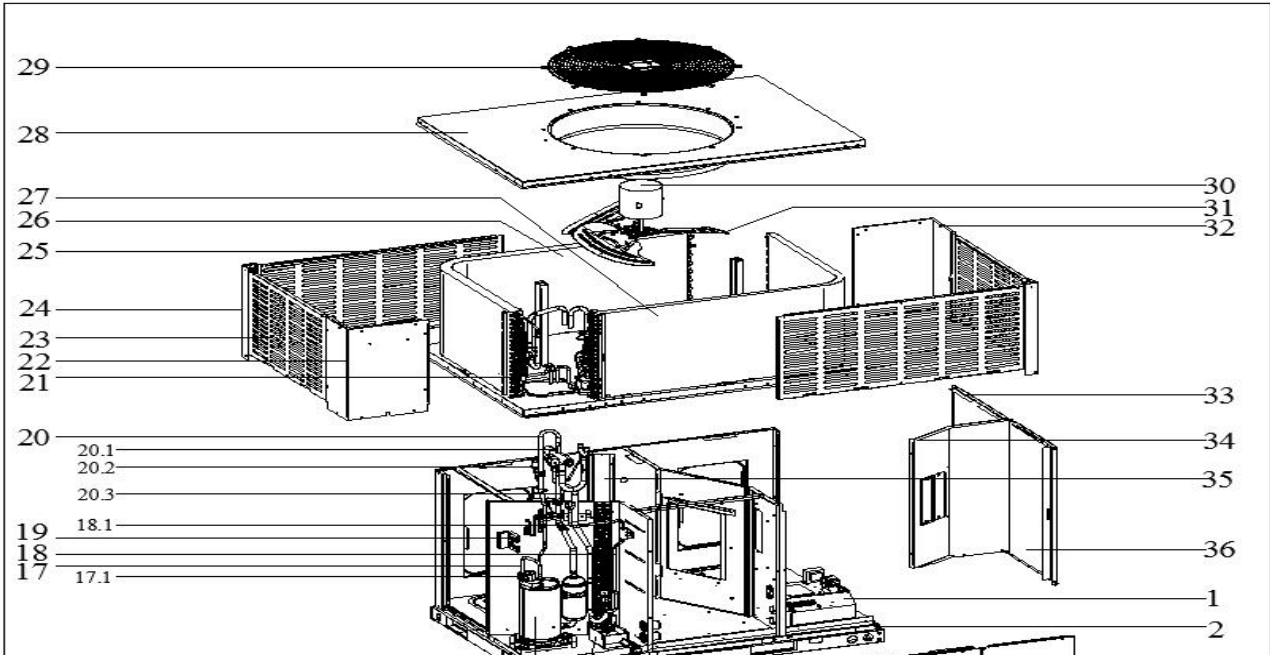
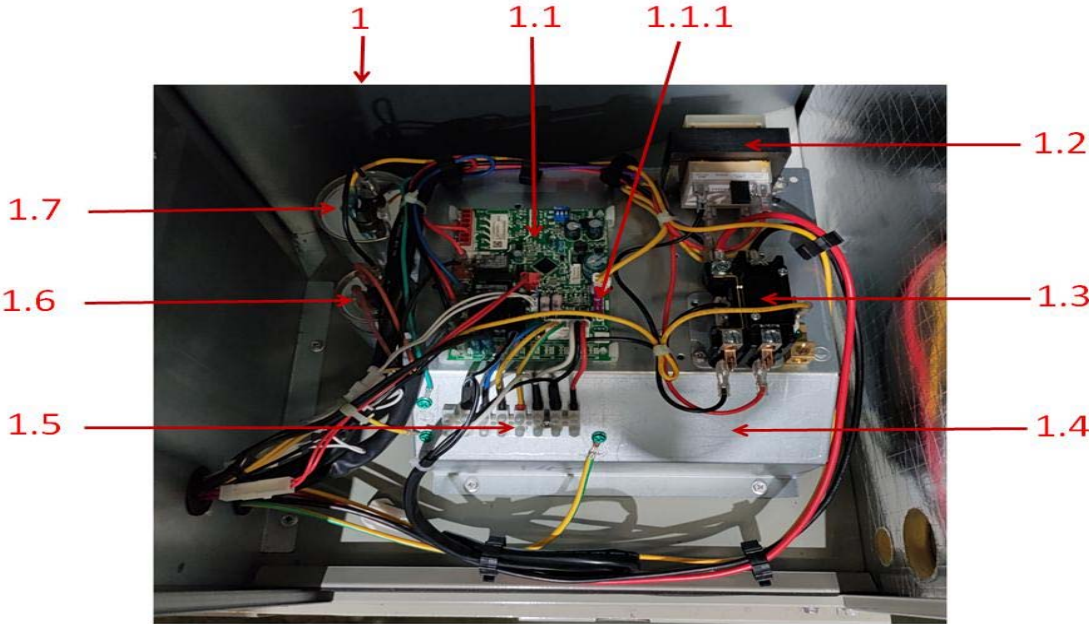
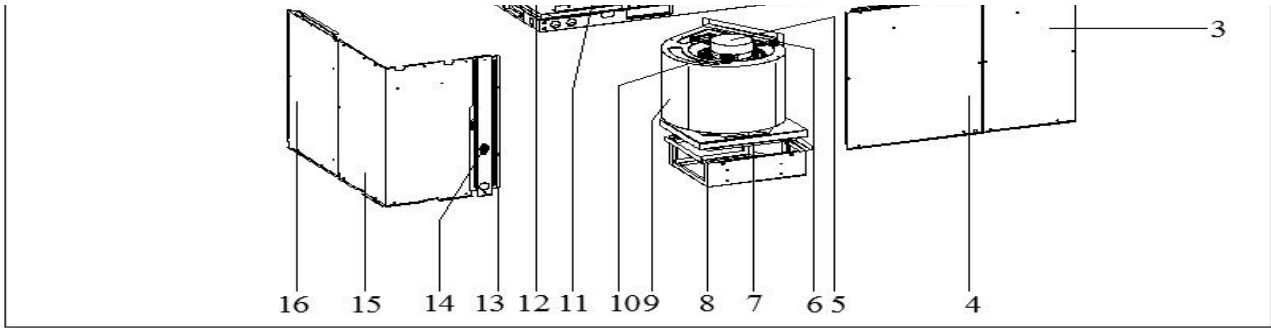


**Exploded View**

MRD-36HWN1-M134G





6	1222300001932	Supporter subassembly of fan motor	3
7	12227700006519	Wind wheel fixed plate	1
8	12227700006515	Fan support board	1
9	12200102000175	Centrifugal fan	1
10	12223000001992	Supporter of fan motor	1
11	12127700000117	Drainage pan assembly	1
12	11103010019040	Fixed Speed Rotary Compressor	1
13	12227700A07180	Column assembly	1
14	11201007000025	Room Temperature Sensor	1
15	12227700A06879	Panel	1
16	12227700A06854	Internal panel assembly	1
17	15427700001990	Air discharge pipe assembly	1
17.1	17400513000066	Discharge temp sensor	1
18	15427700002290	Throttle assembly	1
18.1	15500210004428	Two-way throttle valve	1
19	12227700006741	Installation board	1
20	15427700002271	Four-way valve assembly	1
20.1	15500216000084	4-way valve	1
20.3	17400516000089	Pressure switch	1
21	11201007000412	Pipe Temperature Sensor	1
22	12227700A07120	Column assembly	1
23	12227700A06866	Protective plate assembly	2
24	12227700006740	Column	2
25	12227700A06877	Protective plate assembly	2
26	15827700000750	B unit condenser assembly	1
27	15827700000752	Condenser part	1
28	12227700A06875	Top cover welding assembly	1
29	12927700000341	protection net	1
30	11002012000506	Single Phase Asynchronous Motor	1
31	12200104000038	Fan	1
32	12227700A06868	Column	1
33	12227700A06856	Internal panel assembly	1
34	12227700006518	Circuit board assembly duct	1
35	15827700001229	Evaporator assembly	1
36	12227700A07191	Column assembly	1