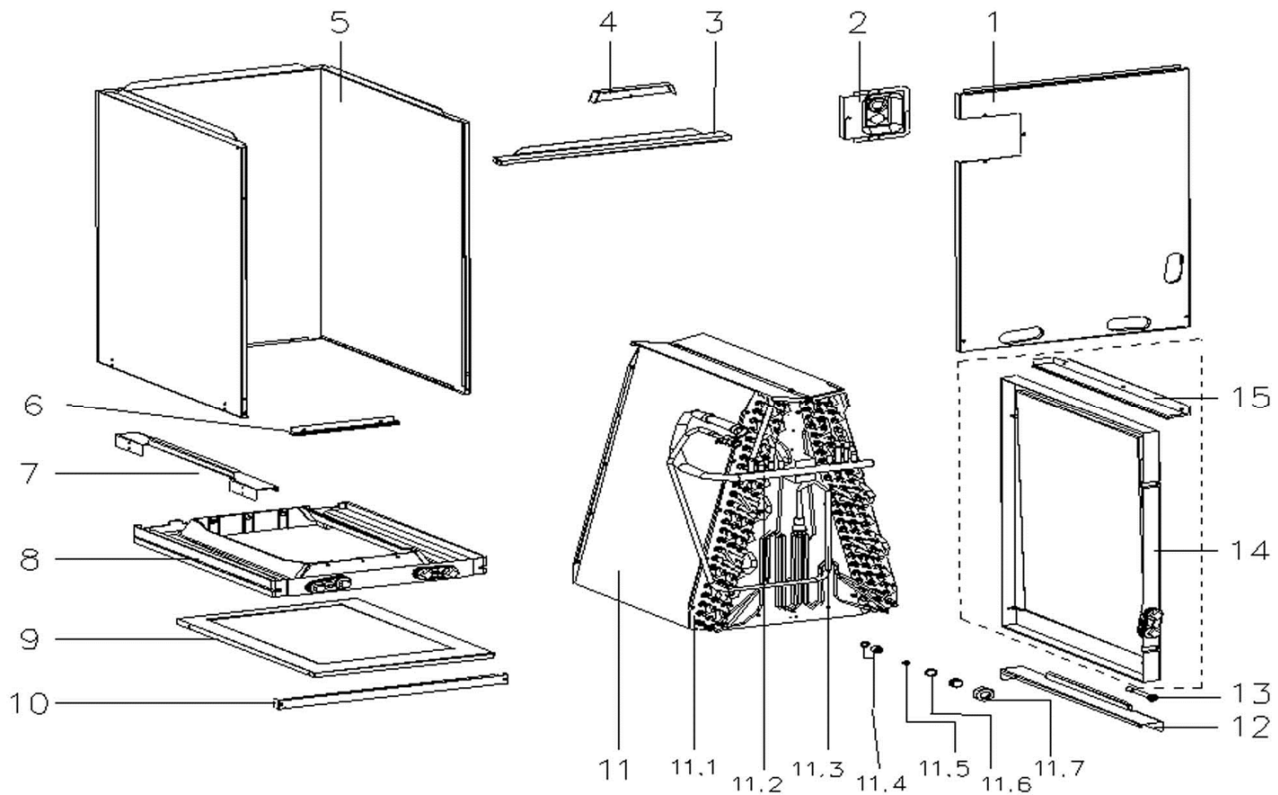


(Midea CAC Exploded view)

MCPM4248BNOH



No.	Part Name	Quantity	BOM Code
1	Side panel assembly	1.0	12223000008691
2	Cover plate assembly	1.0	12223000007647
3	Top support strip	1.0	12223000005775
4	Fixing board	1.0	12223000001973
5	Base assembly	1.0	12223000008687
6	Drain pan baffle	1.0	12223000001948
7	Drain pan right support board	1.0	12223000002120
8	Drain pan ass'y	1.0	12123000000102
9	Fixing board	1.0	122230000012028
10	Bottom support strip	1.0	12223000005762
11	Evaporator ass'y	1.0	15823000006472
11.1	Evaporator	2.0	15823000006470
11.2	Evaporator output pipe assembl	1.0	15223000000465
11.3	Evaporator input pipe assembly	1.0	15423000005780
11.4	Throttle	1.0	15500210000968
11.5	Valve plug	1.0	15500220000015
11.6	Sealing ring	1.0	12100901000010

11.7	Nut	1.0	15500402000191
12	Drainage pan supporting board	1.0	12223000002115
13	Attachment-flange connection p	1.0	15500302000006
14	Drainage pan assembly	1.0	12123000000113
15	Drain pan fixing block	1.0	12223000002117