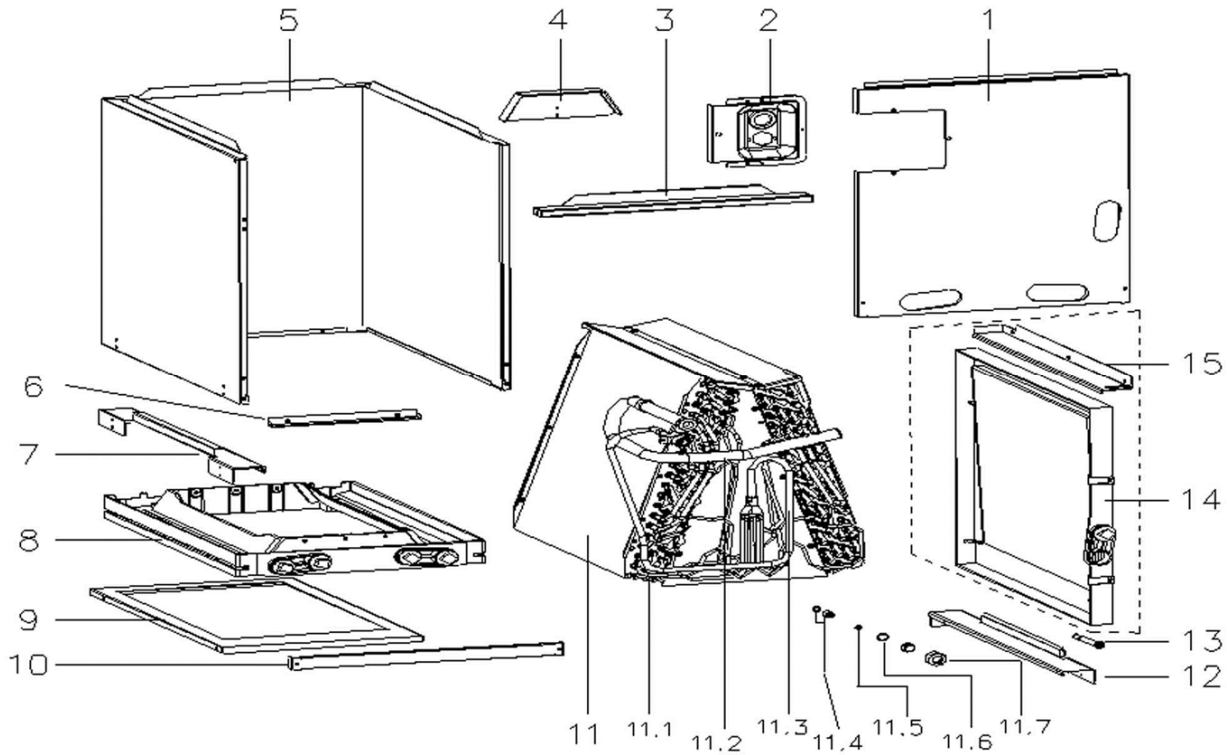


(Midea CAC Exploded view)

MCPM3036ANOH



No.	Part Name	Quantity	BOM Code
1	Side panel assembly	1.0	12223000A02522
2	Cover plate assembly	1.0	12223000007647
3	Top support strip	1.0	12223000005777
4	Fixing board	1.0	12223000004371
5	Base assembly	1.0	12223000005842
6	Drain pan baffle	1.0	12223000001948
7	Drain pan right support board	1.0	12223000002120
8	Drain pan ass'y	1.0	12123000000109
9	Fixing board	1.0	12223000012031
10	Bottom support strip	1.0	12223000005765
11	Evaporator ass'y	1.0	15823000006471
11.1	Evaporator	2.0	15823000006463
11.2	Evaporator output pipe assembl	1.0	15223000000466
11.3	Evaporator input pipe assembly	1.0	15423000005787
11.4	Throttle	1.0	15500210000968
11.5	Valve plug	1.0	15500220000007
11.6	Sealing ring	1.0	12100901000010
11.7	Nut	2.0	15500402000265

12	Drainage pan supporting board	1.0	12223000002115
13	Attachment-flange connection p	1.0	15500302000006
14	Drainage pan assembly	1.0	12123000000105
15	Drain pan fixing block	1.0	12223000002117