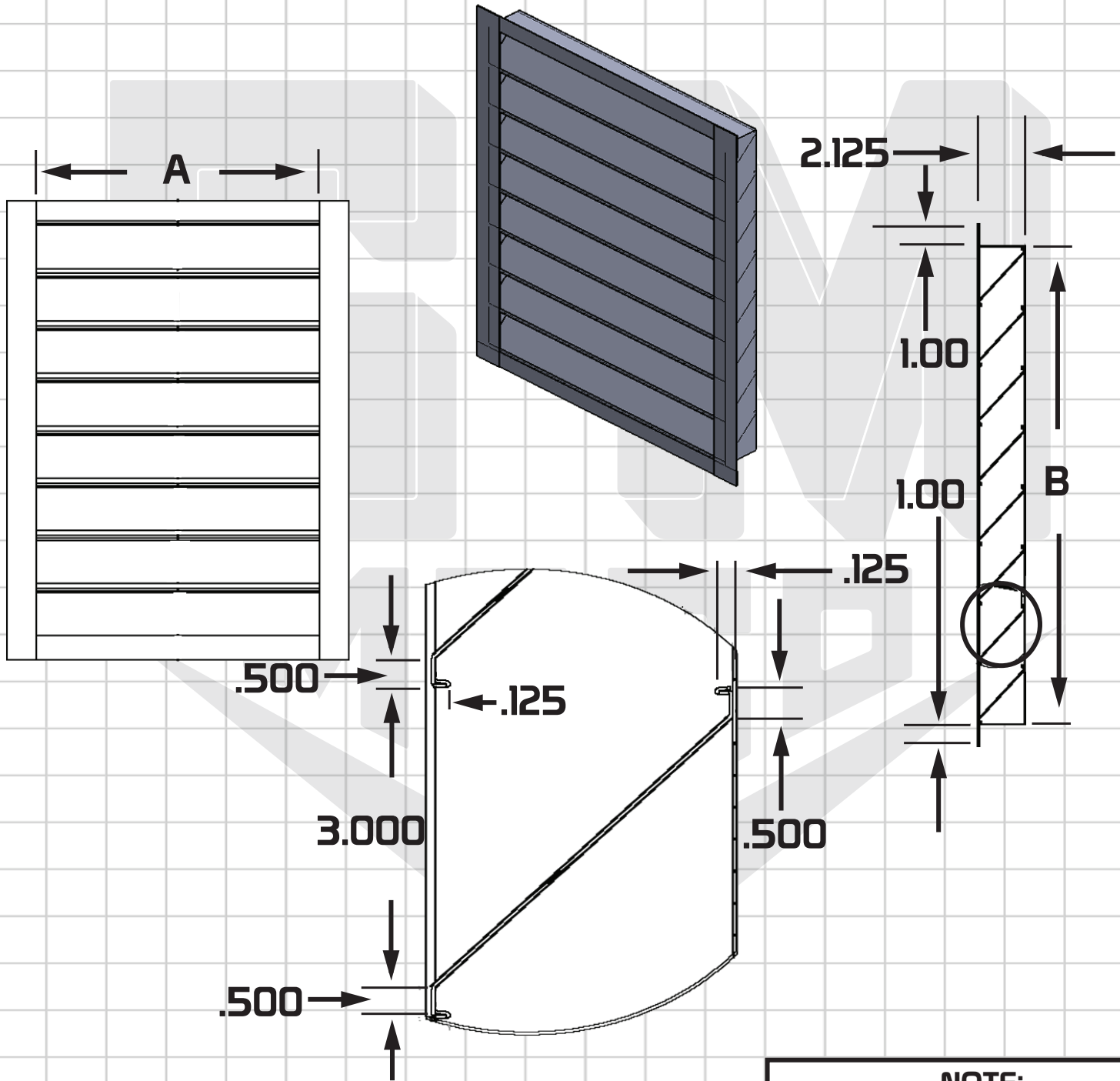


MODEL: Gable Louver
ITEM: GL XX^Ax XX^B

SUBMITTAL SHEET

GENERAL METALS MFG
 2727 W, WELDON AVE.
 PHOENIX, AZ 85017
 FAX: 602.277.6039
 PHONE: 602.264.4815
 www.generalmetals.com



NOT TO SCALE

NOTE:
 All Gable's Have 1/4" Hardware Cloth Mesh Meets ICBO Requirement. Subtract 1/2" Of "A" and "B" Net Demension

JOB: _____
ARCHITECT: _____
ENGINEER: _____
CONTRACTOR: _____
LOCATION: _____

FINISH: _____			
TAG	QTY	WIDTH "A"	HEIGHT "B"