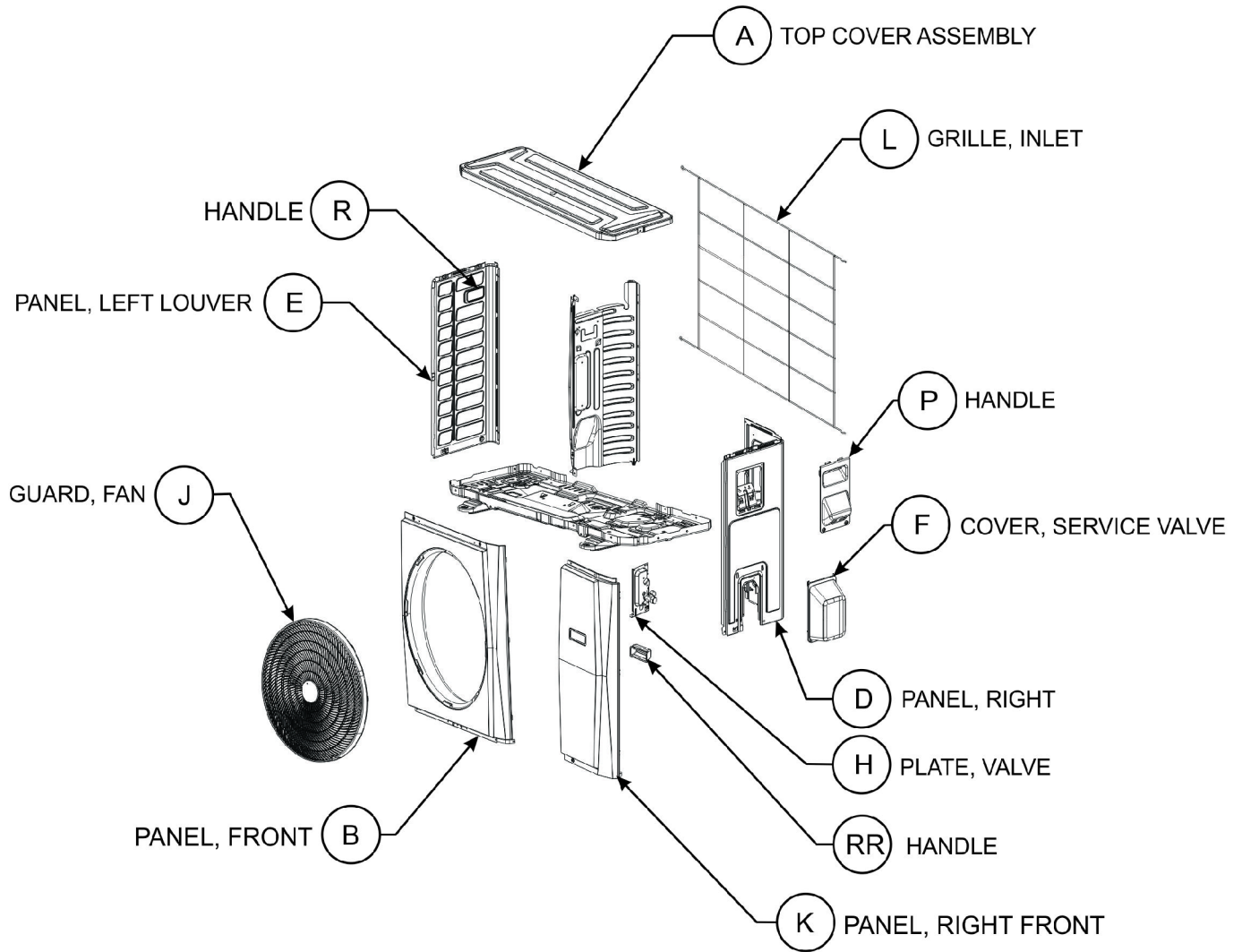


DUCTLESS SPLIT OUTDOOR UNIT



Note: This illustration is for reference only. Your unit may differ in appearance or may not include all components shown.

CASING PARTS

DLCSRA-1

Available Views

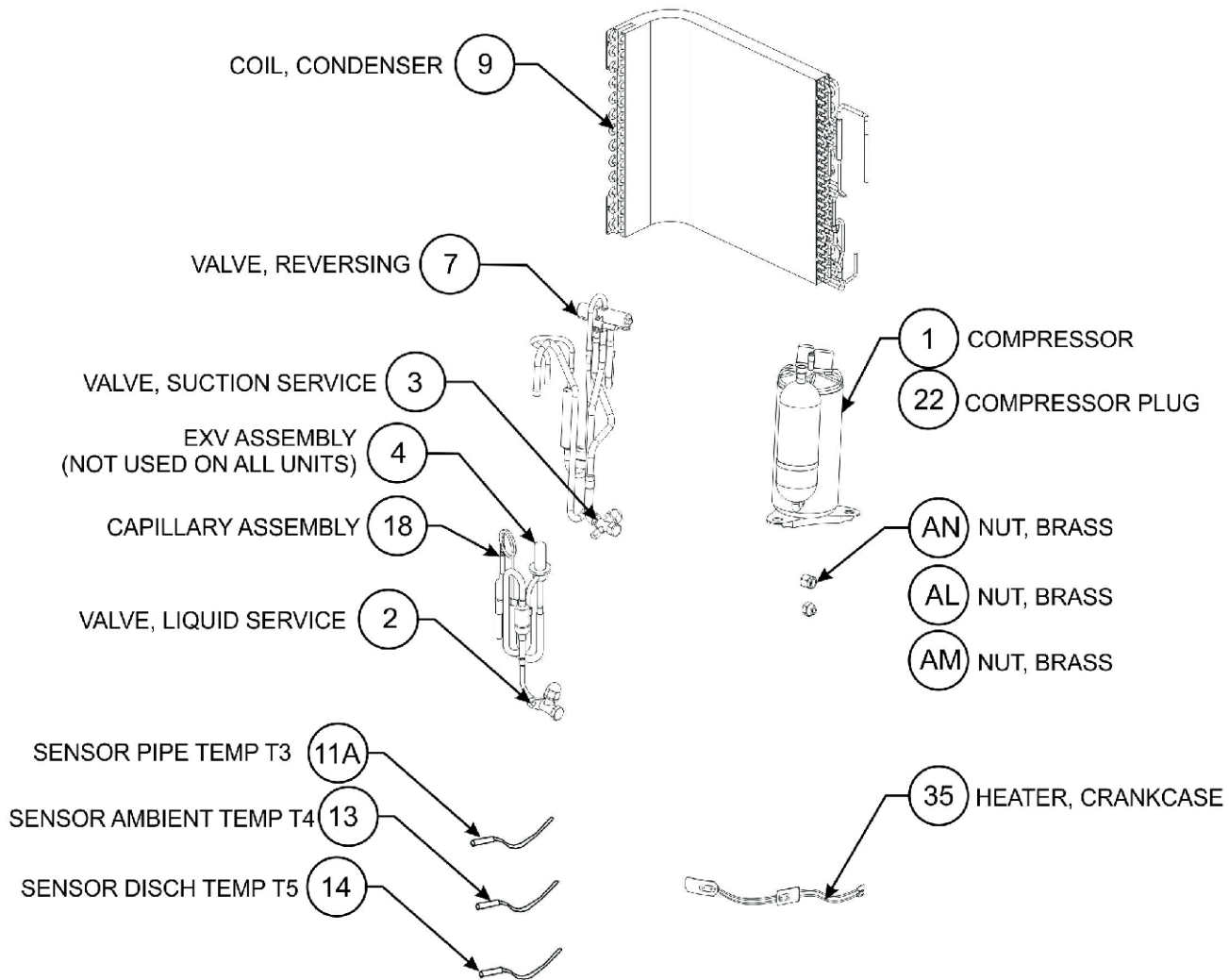
Zoom

CASING PARTS

100%

Print

DUCTLESS SPLIT OUTDOOR UNIT

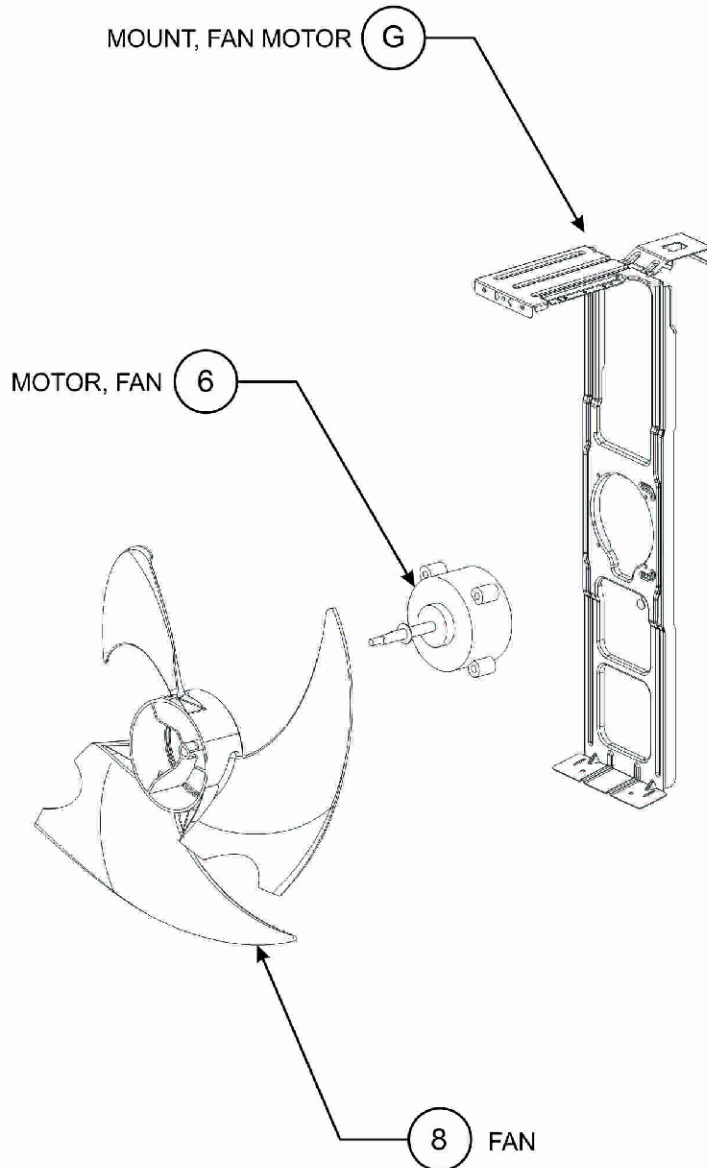


Note: This illustration is for reference only. Your unit may differ in appearance or may not include all components shown.

COIL, PIPING & COMPRESSOR PARTS

DLCSRA-4

DUCTLESS SPLIT OUTDOOR UNIT

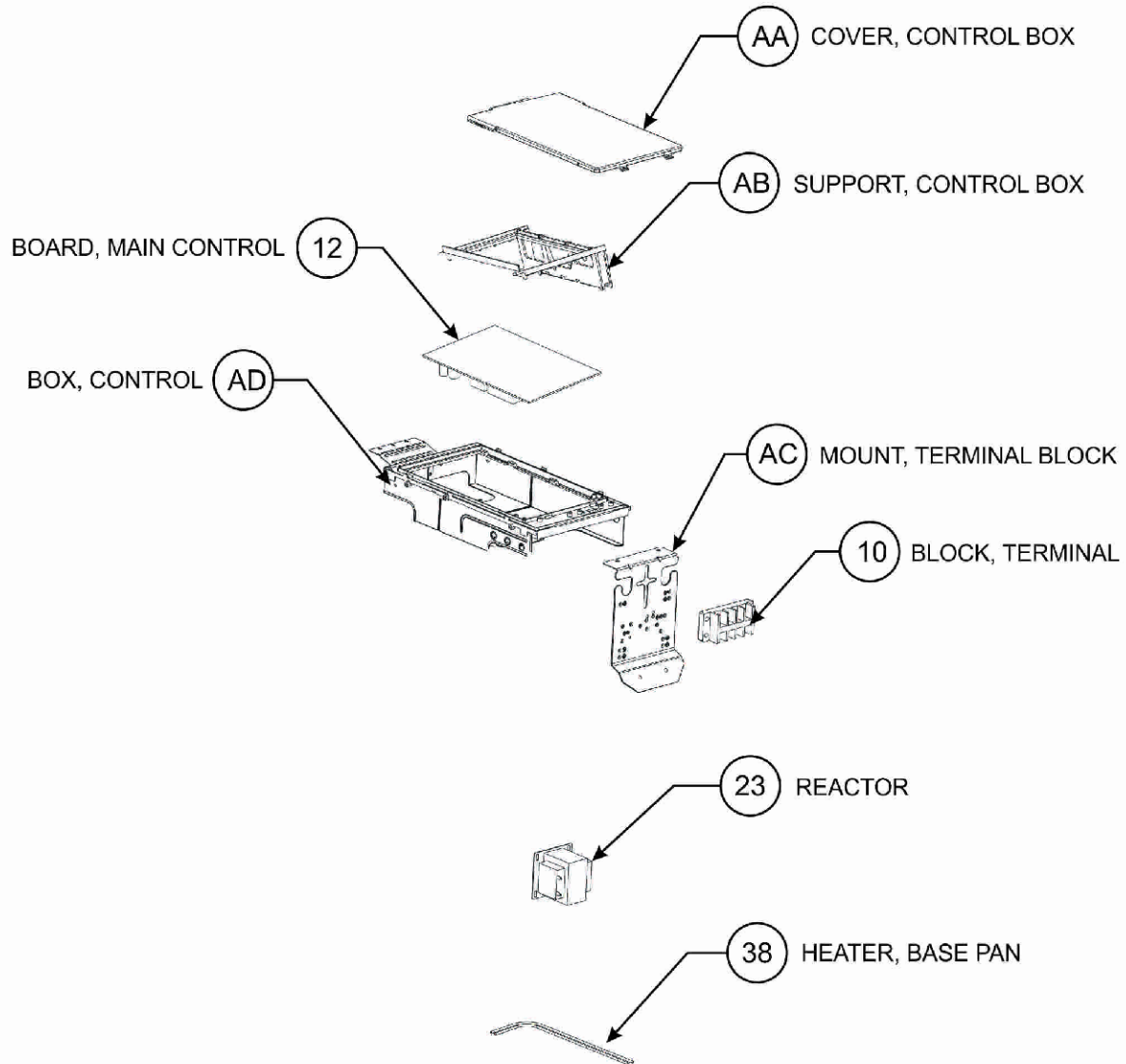


Note: This illustration is for reference only. Your unit may differ in appearance or may not include all components shown.

FAN & MOTOR PARTS

DLCPRA-3

DUCTLESS SPLIT OUTDOOR UNIT



Note: This illustration is for reference only. Your unit may differ in appearance or may not include all components shown.

ELECTRICAL PARTS

DLCpra-2