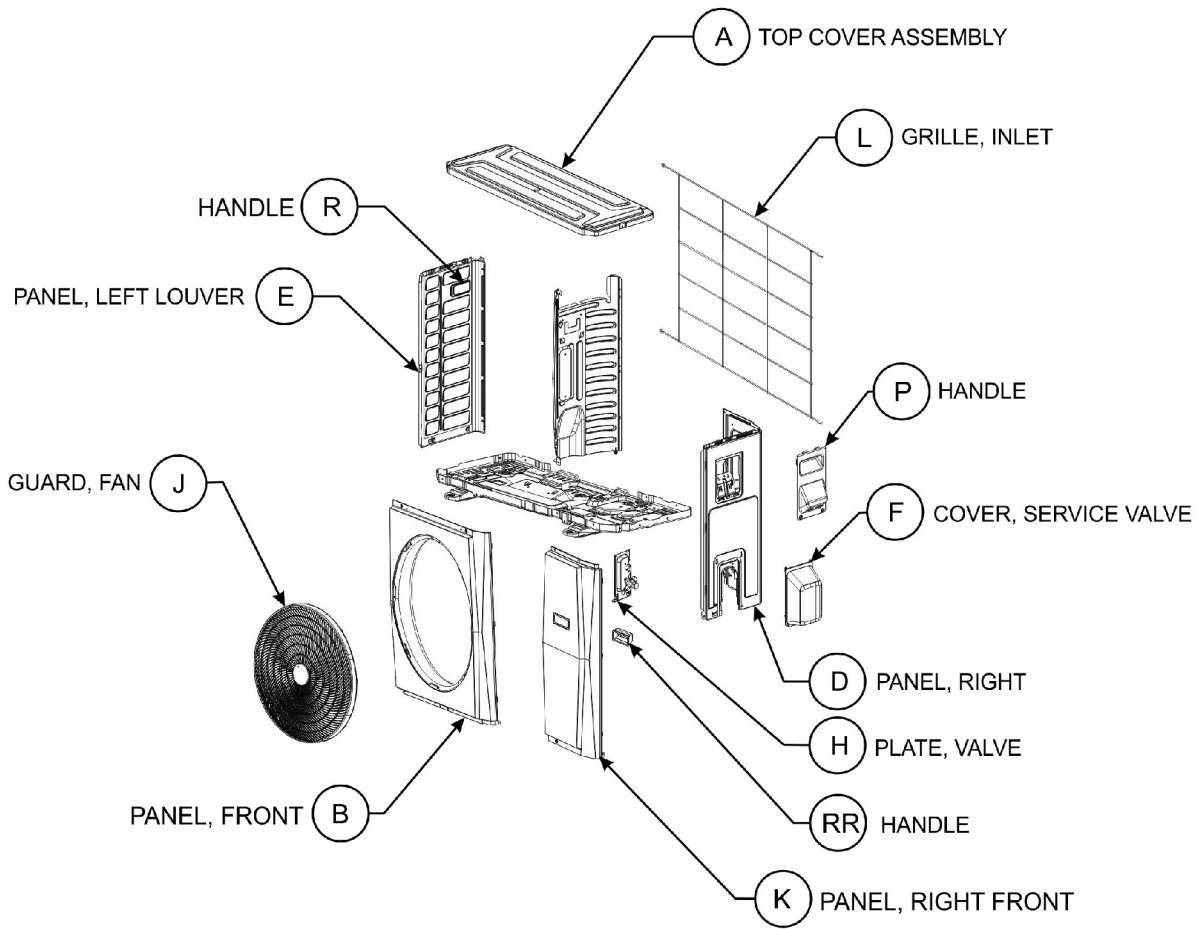


DUCTLESS SPLIT OUTDOOR UNIT



Note: This illustration is for reference only. Your unit may differ in appearance or may not include all components shown.

CASING PARTS

DLCSRA-1

Available Views

Zoom

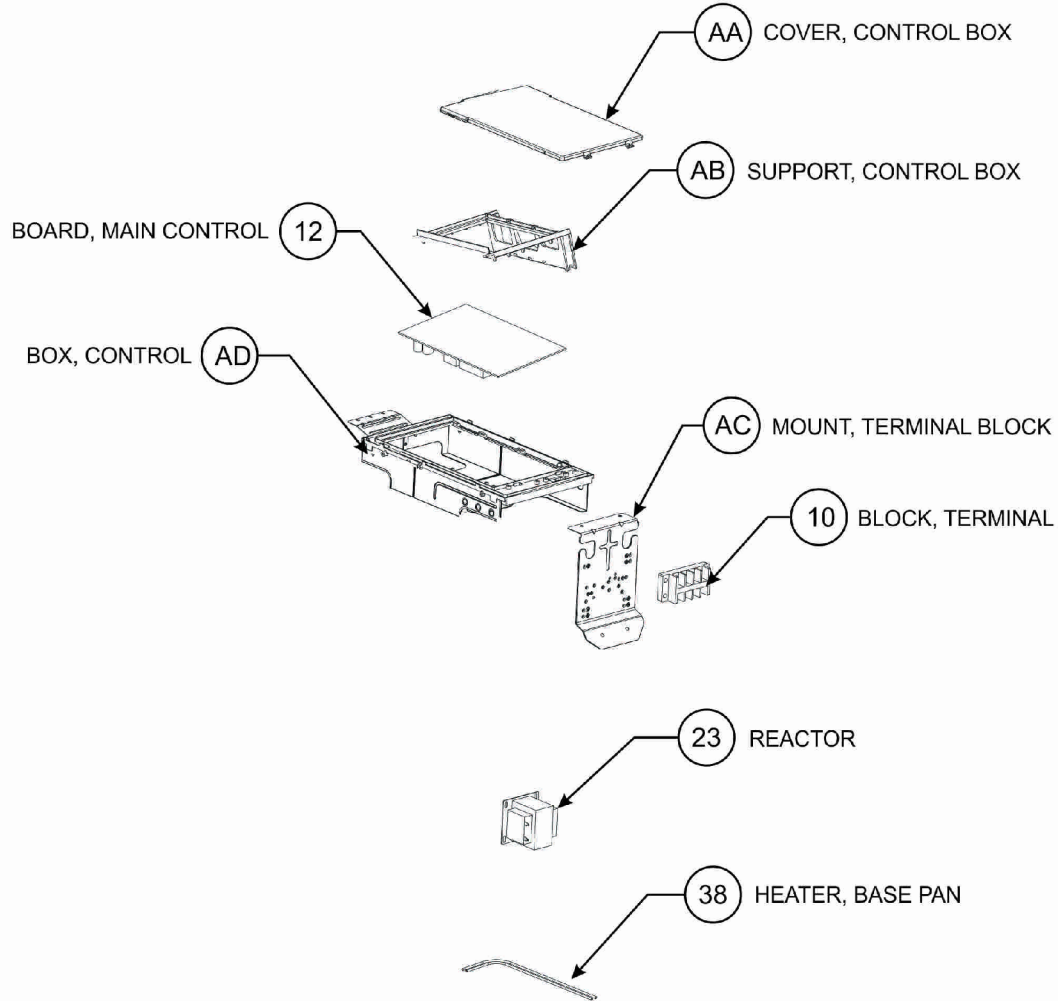
CASING PARTS



100%



DUCTLESS SPLIT OUTDOOR UNIT



Note: This illustration is for reference only. Your unit may differ in appearance or may not include all components shown.

ELECTRICAL PARTS

DLCpra-2

Available Views

Zoom

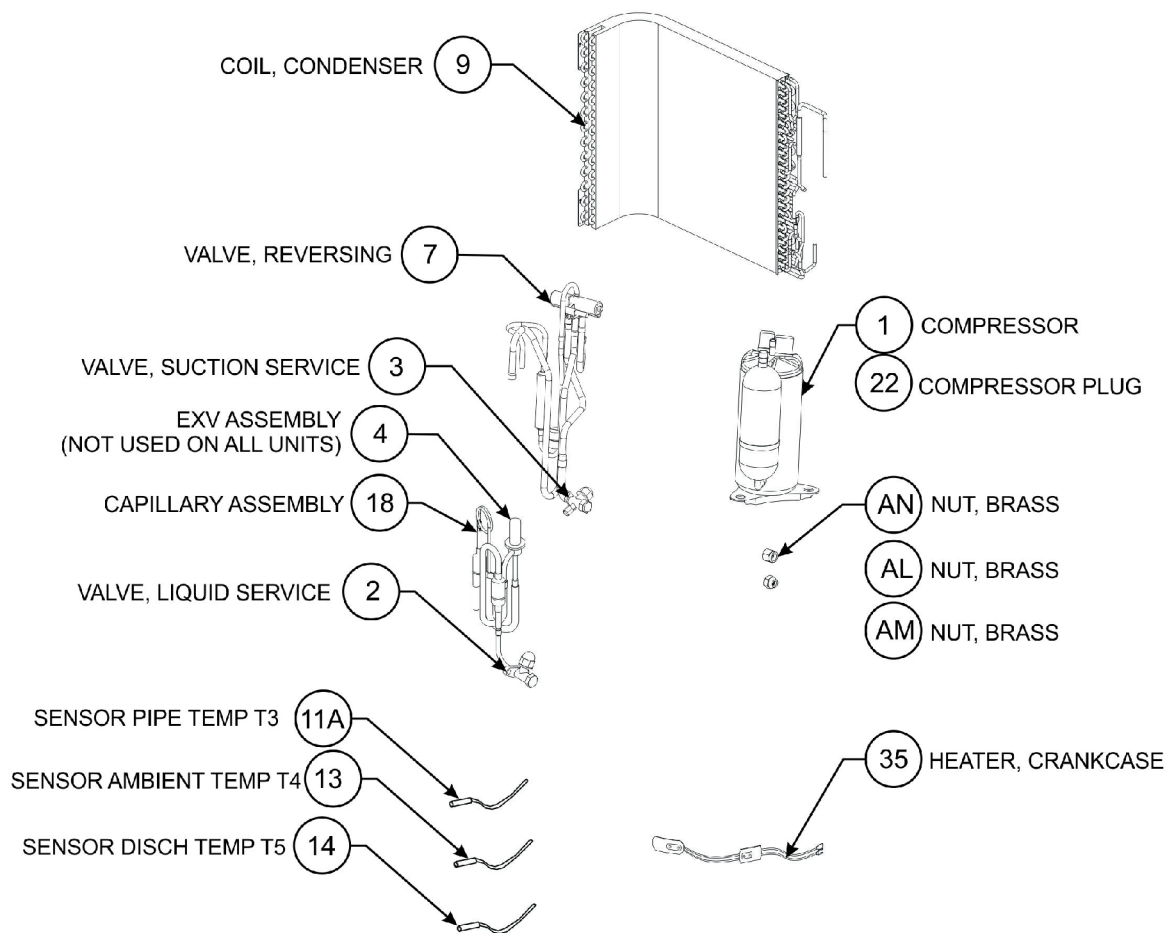
ELECTRICAL PARTS



100%



DUCTLESS SPLIT OUTDOOR UNIT



Note: This illustration is for reference only. Your unit may differ in appearance or may not include all components shown.

COIL, PIPING & COMPRESSOR PARTS

DLCSRA-4

Available Views

Zoom

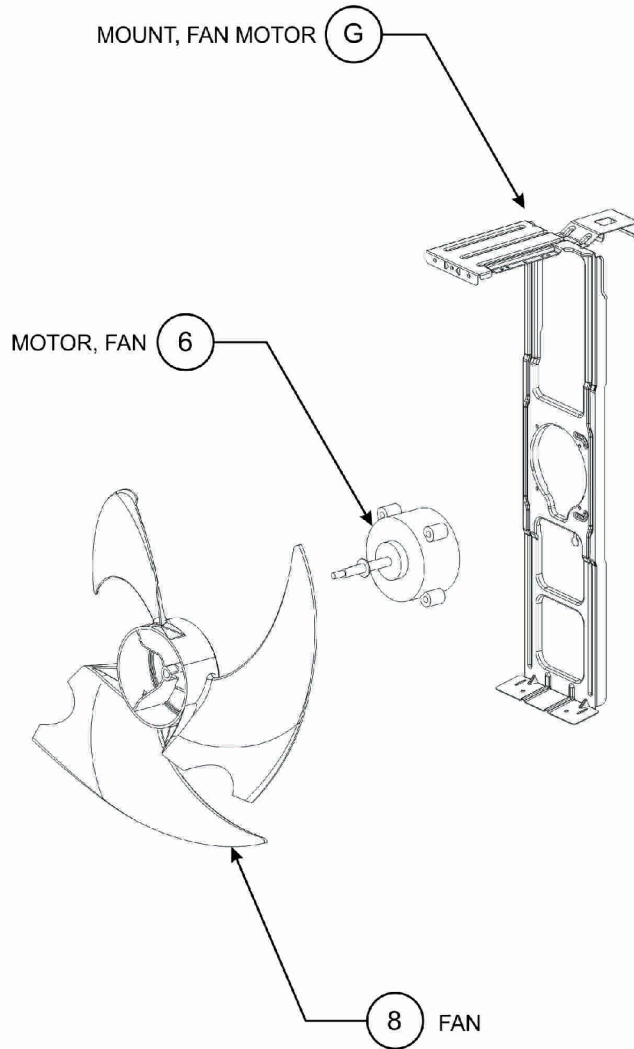
COIL, PIPING & COMP PARTS



100%



DUCTLESS SPLIT OUTDOOR UNIT



Note: This illustration is for reference only. Your unit may differ in appearance or may not include all components shown.

FAN & MOTOR PARTS

DLCpra-3

Available Views

Zoom

FAN & MOTOR PARTS



100%

