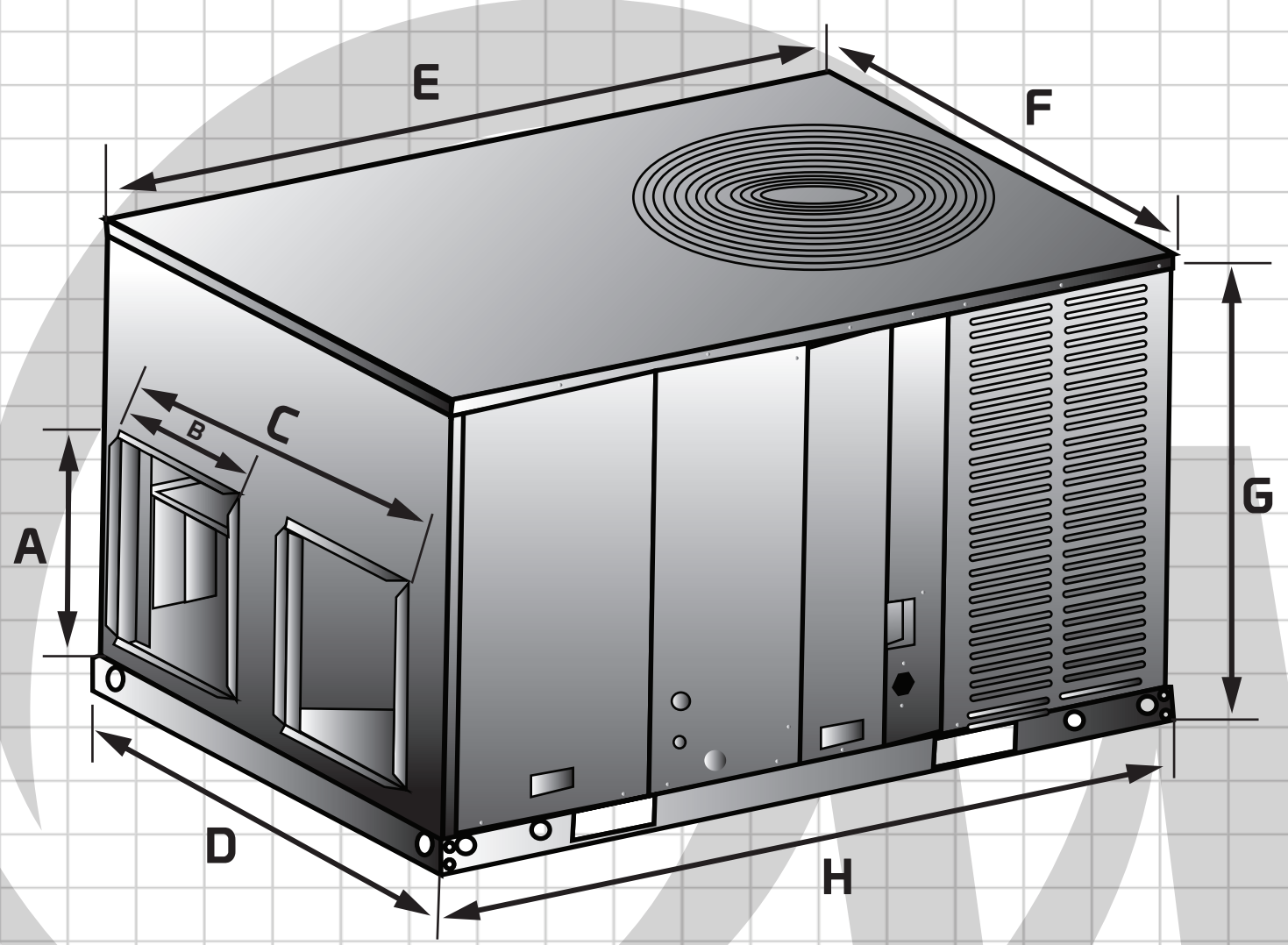


MODEL: MA MRC
ITEM: Horizontal Packaged Unit

SUBMITTAL SHEET

GENERAL METALS MFG
 2727 W, WELDON AVE.
 PHOENIX, AZ 85017
 FAX: 602.277.6039
 PHONE: 602.264.4815
 www.generalmetals.com

MODEL	A	B	C	D	E	F	G	H
MRC-24-HWNI-M13								
MRC-36-HWNI-M13			32"	37"	51"	37"	25"	51"
MRC-42-HWNI-M13	19"	14"						
MRC-48-HWNI-M13			34"	42"	58"	42"	33"	58"
MRC-60-HWNI-M13								

NOT TO SCALE



JOB: _____
 ARCHITECT: _____
 ENGINEER: _____
 CONTRACTOR: _____
 LOCATION: _____

FREE AREA: 75 SQ. INCH

TAG	QTY		