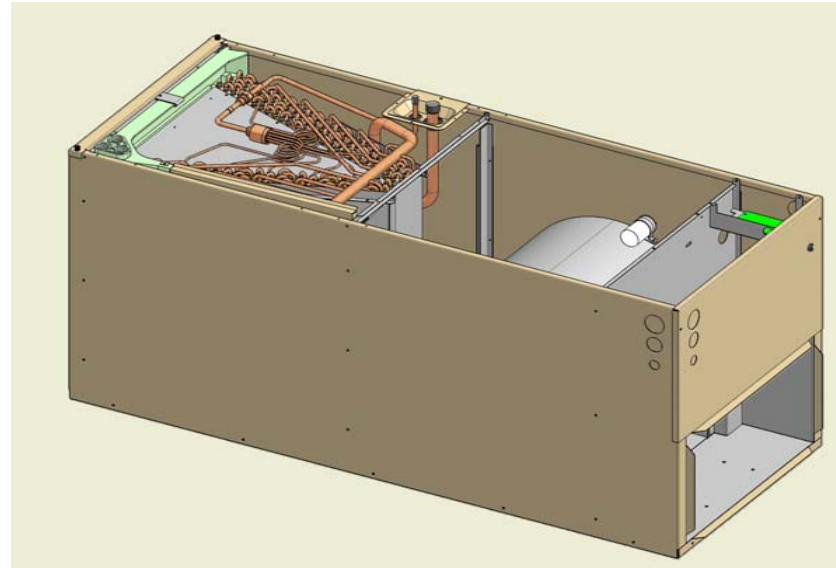
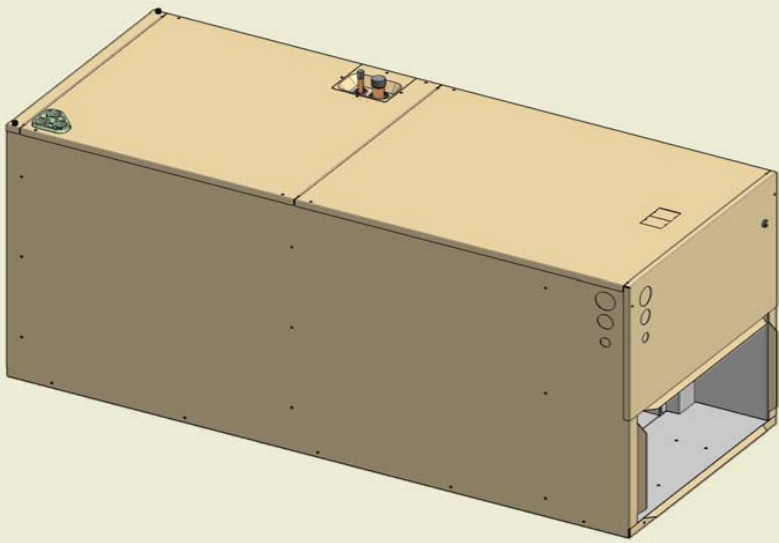
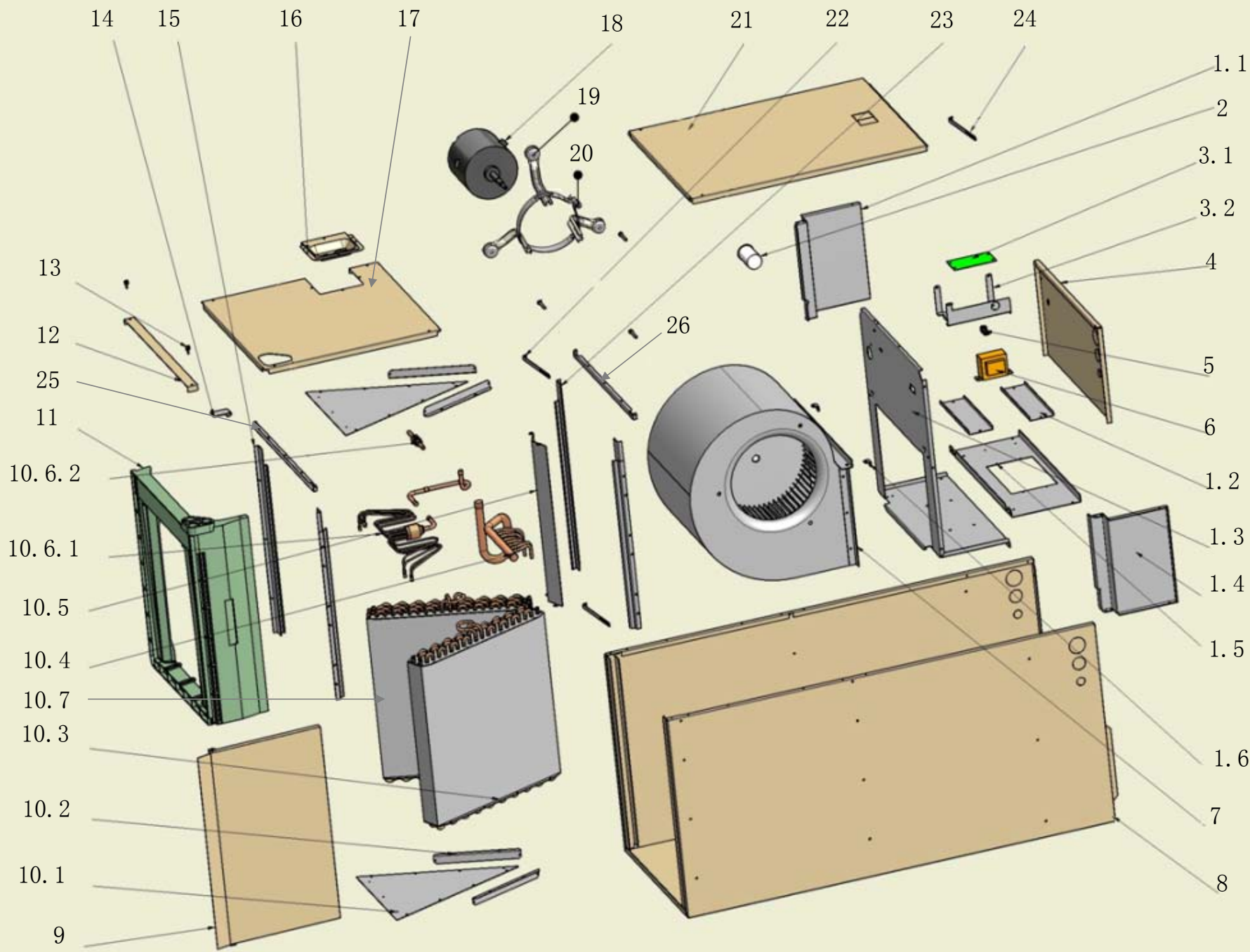


**Market Model:** MVA-48HWN1-M13

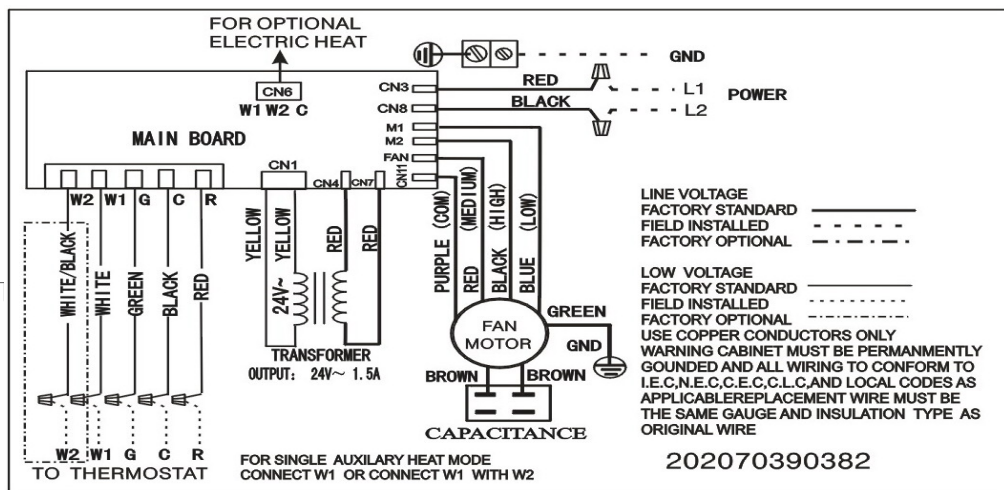
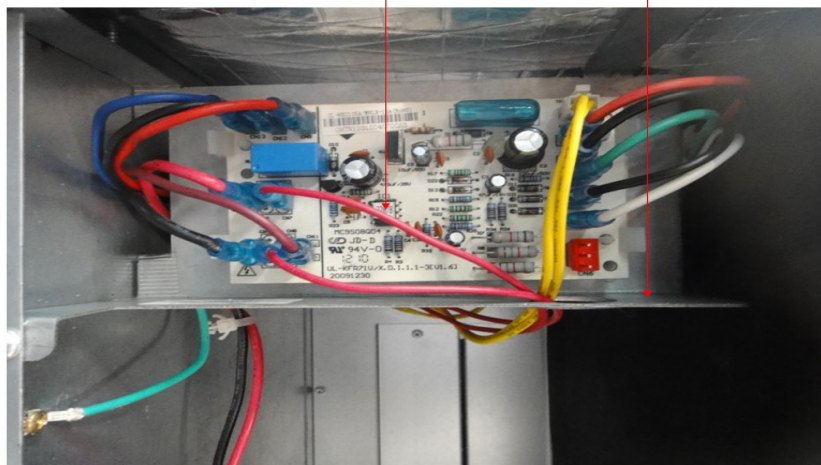
**Product Code:** 220070701031





3.1

3.2



No.	中文	Part Name	Quantity	BOM code	Price(\$)	Remark
1	风道组件 (RoHS)	Air duct assy'	1	201270890101		
1.1	风道侧挡板I	Side board I	1	201270890073		
1.2	电辅热挡板	Clapboard	2	201270390203		
1.3	风道固定板	Fixing board	1	201270890071		
1.4	风道侧挡板II	Side board II	1	201270890072		
1.5	风道上挡板	Baffle	1	201270890070		
1.6	风轮固定板	Fixing board of fan	2	201270890239		
2	压缩机电容 (RoHS)	Capacitor	1	202401000888		
3	室内电控盒组件 (RoHS)	E-part box ass'y	1	203370590052		
3.1	室内主控板组件 (RoHS) (中	Main control board ass'y	1	201396090006		
3.2	电器安装板 (RoHS)	Electric installation board	1	201270590096		
4	上前侧板组件 (SB3053, RoH	Side board ass'y	1	201270890064		
5	接地端子 (ROHS)	Grounding terminal	1	202301440007		
6	线性变压器 (RoHS, 带防脱	Transformer	1	202300930295		
7	风轮部件 (RoHS)	Fan ass'y	1	201200300276		
8	底盘组件 (SB3053, RoHS)	Base ass'y	1	201270890076		
9	接水盘II (SB3053, RoHS)	Drainage pan	1	201270890068		
10	蒸发器部件	Evaporator ass'y	1	201570790048		
10.1	蒸发器挡板	Evaporator baffle	2	201270890081		
10.2	挡水板	Waterproof board	4	201270890079		
10.3	蒸发器I	Evaporator ass'y	1	201570890059		
10.4	输出管组件	Output tube components	1	201670890288		
10.5	蒸发器连接板组件	Evaporator joint board ass'y	1	201270890094		
10.6	输入管组件	Input tube components	1	2016707A0020		
10.6.1	输入管	Input pipe	1	201670890132		
10.6.2	节流阀 (RoHS)	Throttle	1	201600800050		
10.7	蒸发器II	Evaporator ass'y	1	201570890058		
11	接水盘组件 (RoHS)	Drain pan ass'y	1	201170890005		
12	滤尘网盖板 (SB3053, RoHS	Cover board	1	201270890065		
13	手拧螺钉 (RoHS)	Screw	2	202500300039		
14	接水盘固定块	Drainage pan clap	1	201270390194		
15	接水盘支撑焊合件I	Drainage pan supporting board	1	201270890067		
16	配管盖板组件 (SB3053, RoH	Cover plate ass'y	1	201270390192		
17	下侧板组件 (SB3053, RoHS)	Underside board ass'y	1	201270890074		
18	异步电机 (RoHS)	Motor	1	202400400281		
19	电机支架组件I (RoHS)	Motor bracket I	3	201270390288		
20	电机支架II (RoHS)	Motor bracket II	1	201270390273		
21	上侧板组件 (SB3053, RoHS)	Upside board ass'y	1	201270890075		
22	接水盘拉条2	2 water tray brace	2	201270390363		
23	接水盘支撑焊合件II	Drainage pan supporting board	1	201270890066		
24	接水盘拉条	Drainage pan clamp	1	201270390202		
25	支撑条	Supporting bar	1	201270890069		
26	支撑条组件 (RoHS)	Supporter ass'y	1	201270890107		