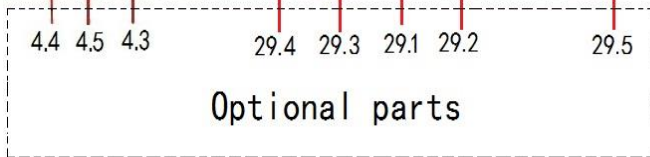
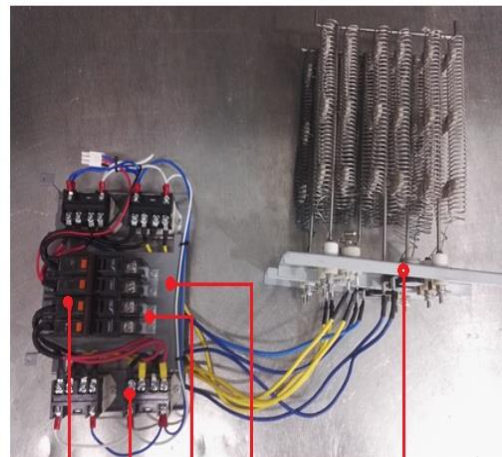
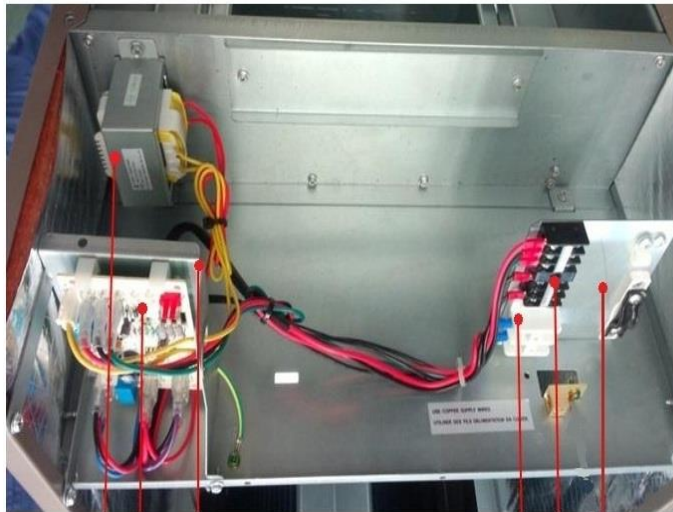
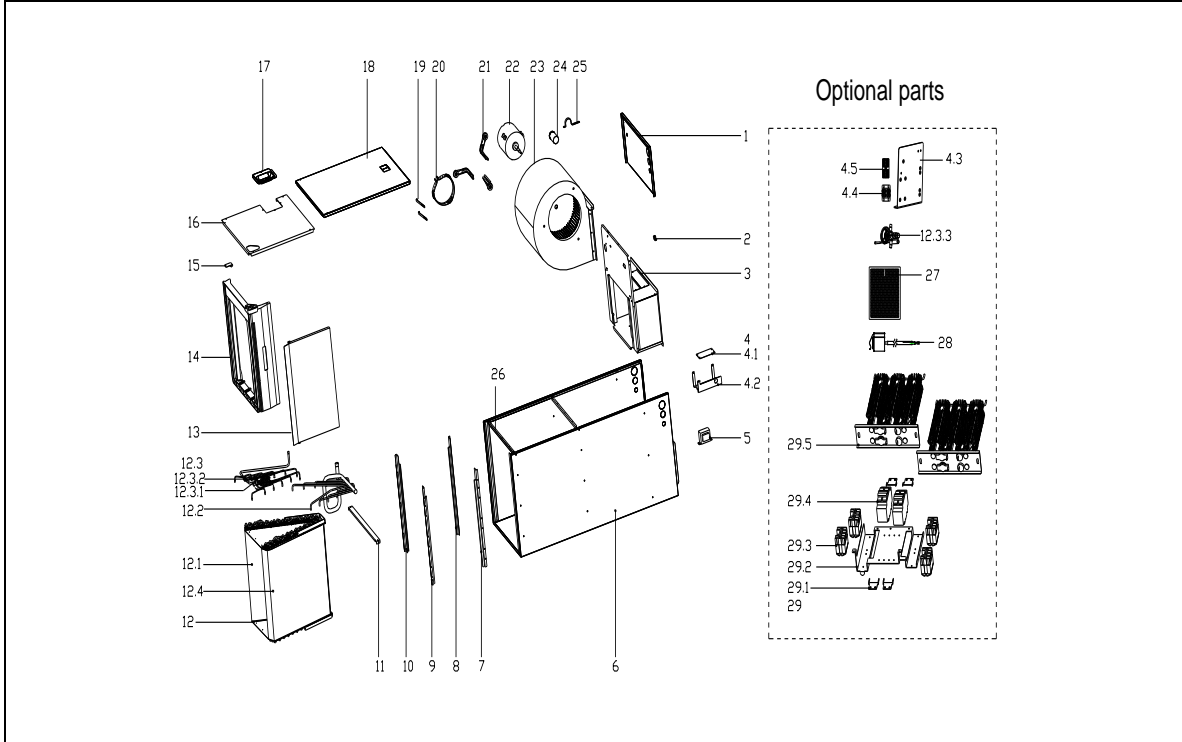


This document contains classified information.
 All individuals are strictly forbidden from any form of disclosure in whole or in part.
 Copy and/or distribution without expressed Midea consent is forbidden.

美的中央空调爆炸图 (Midea CAC Exploded view)

市场型号(Market model): MVA-60HWN1-M13
 产品型号(Product model): UL-KFR160V/N1X
 产品编码(Product code): 22023011000946
 电源规格(Power supply): ZU8AndZ3UV_1Pn,FREQUENCY_60HZ
 导出时间(Output time): 2017-12-15 14:42:50



序号	零部件名称	数量	物料编码	价格	代号	备注
----	-------	----	------	----	----	----

No.	Chinese Name	Part Name	Quantity	BOM Code	Price	Model	Remark
1	上前侧板组件(SB3053) RoHs U	Side board ass'y	1.0	12223000002212		UL-KF160V/N1X.4	
2	接线柱 RoHS JXZH-CuH62-a6.6	Wiring Terminal	1.0	11201708000008		JXZH-CuH62-a6.6	
3	风道组件 RoHs UL-KF160V/N1	Air channel ass'y	1.0	122230000002127		UL-KF160V/N1X.7	
4	室内电控盒组件 RoHS UL-KF1C	E-part box ass'y	1.0	172230000000472		UL-KF105V/N1X.I	
4.1	室内主控板组件(中央) RoHS UL	Main control board subassembly	1.0	171277000000037		UL-WKC105A/MN	
4.2	电器安装板 UL-KF105V/N1X.D.	Electric installation board	1.0	122230000002175		UL-KF105V/N1X.I	
5	线性变压器 RoHS TT220-EI66-2	Transformer	1.0	11203103000141		TT220-EI66-24/15	
6	底盘组件(SB3053) RoHs UL-KF	Base ass'y	1.0	122230000002371		UL-KF160V/N1X.1	
7	接水盘支撑焊合件I RoHs UL-KF	Drainage pan supporting board	2.0	122230000001940		UL-KF160V/N1X.6	
11	滤尘网盖板(SB3053,单面喷涂)	Filter cover board	1.0	122230000002003		UL-KF160V/N1X.4	
12	蒸发器部件 RoHS UL-KFR160V	Evaporator ass'y	1.0	158230000000528		UL-KFR160V/N1X	
12.1	蒸发器I RoHS UL-KF160V/N1X.	Evaporator I	1.0	158230000000649		UL-KF160V/N1X.2	
12.2	输出管组件 RoHS UL-KFR160V	Output pipe ass'y	1.0	151230000001712		UL-KFR160V/N1X	
12.3	输入管组件 RoHS EAIR-KFR160V	Input tube components	1.0	154230000002752		EAIR-KFR160V/N	
12.3.1	分配器 RoHS FPQ-1204BT	Distributor	1.0	15500502000109		FPQ-1204BT	
12.3.2	节流阀 RoHS JLF(H)-096	Throttle valve	1.0	15500210000456		JLF(H)-096	
12.4	蒸发器II RoHS UL-KF160V/N1X	Evaporator II	1.0	158230000000638		UL-KF160V/N1X.2	
13	接水盘II(SB3053) RoHs UL-KF1	Drainage pan	1.0	122230000001212		UL-KF160V/N1X.1	
14	接水盘组件 RoHS UL-KF160V/N	Drain pan ass'y	1.0	121230000000110		UL-KF160V/N1X.1	
15	接水盘固定块 RoHS UL-KF71V	Water pan cushion	1.0	122230000000028		UL-KF71V/N1X-2	
16	下侧板组件(SB3053) RoHs UL-I	Underside board ass'y	1.0	122230000002229		UL-KF160V/N1X.3	
17	配管盖板组件(SB3053) RoHs S.	Cover plate ass'y	1.0	122230000002157		SA-KF71V/X.5	
18	上侧板组件(SB3053) RoHs UL-I	Side panel ass'y, up	1.0	122230000002197		UL-KF160V/N1X.2	
19	接水盘拉条2 UL-KF71V/N1X-10	Bar 2, drainage pan	2.0	122230000002178		UL-KF71V/N1X-10	
20	电机支架 II RoHS UL-KF71V/N	Supporter of fan motor	1.0	122230000001992		UL-KF71V/N1X-2	
21	电机支架组件I RoHS UL-KF71V	Supporter subassembly of fan m	3.0	122230000001932		UL-KF71V/N1X.16	
22	单相异步电机 RoHS YKS-400-6	Single phase asynchronous mot	1.0	11002012001220		YKS-400-6-7	
23	风轮部件 RoHS LX-279*271*12.	Fan assembly	1.0	12200101000029		LX-279*271*12.7-1	
24	压缩机电容 RoHS 20uF/450V-P	Capacitor of compressor	1.0	17400103000149		20uF/450V-P2(20uF)	
25	接水盘拉条 UL-KF71V/N1X-10	Drainage pan clamp	1.0	122230000002177		UL-KF71V/N1X-10	
26	支撑条 UL-KF160V/N1X-7	Supporting bar	1.0	122230000002101		UL-KF160V/N1X.7	

Vertical line on the left side of the page.