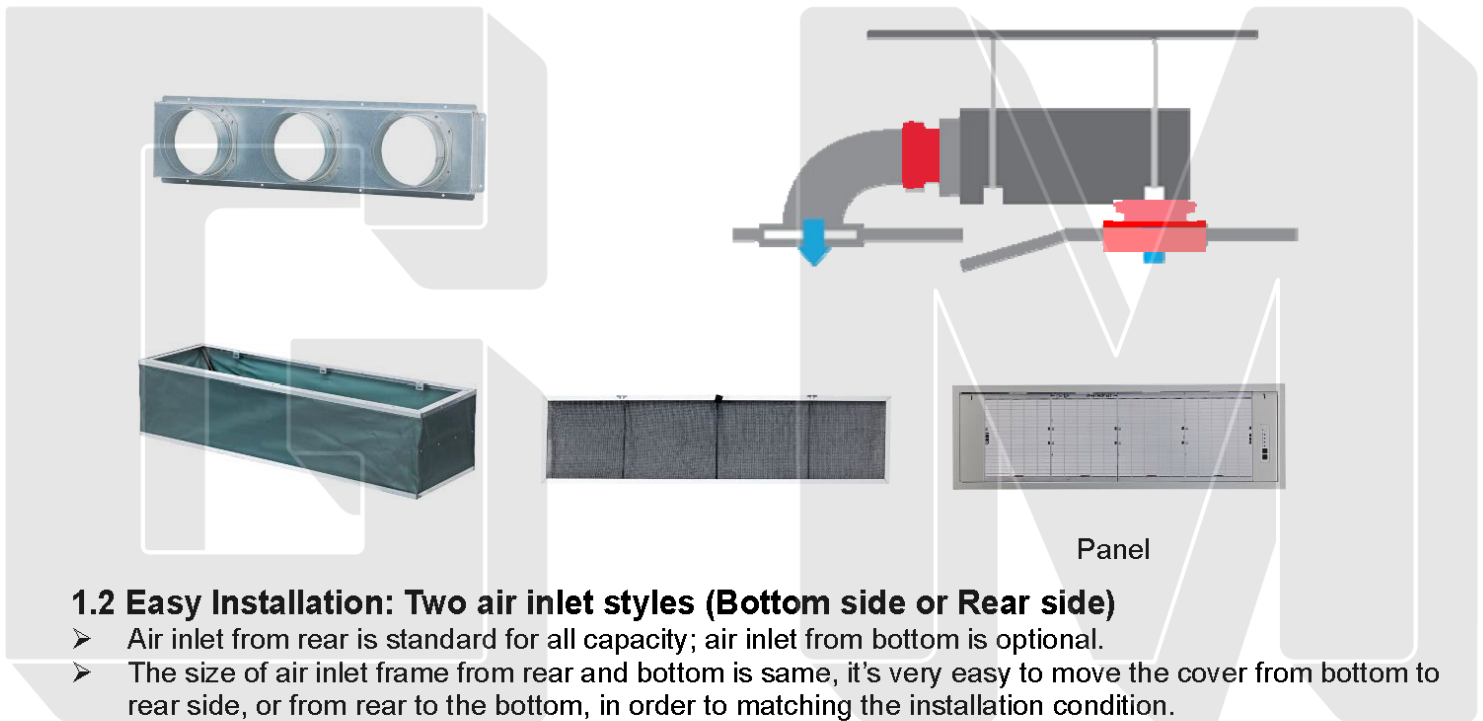


1. Features

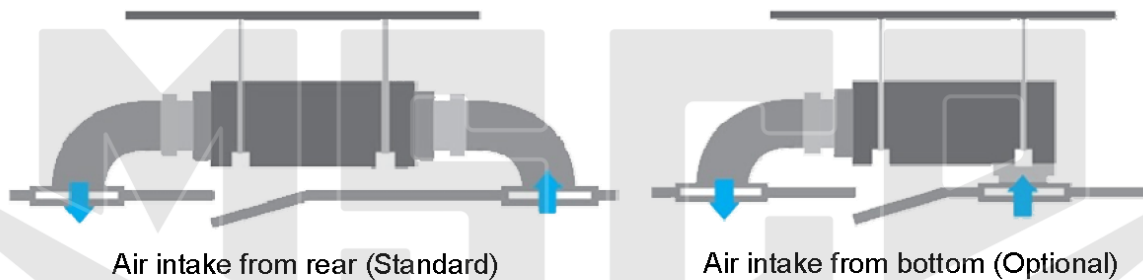
1.1 Installation accessories: (Optional)

- Front Board, Canvas Air Passage, Filter, Panel, for easy installation



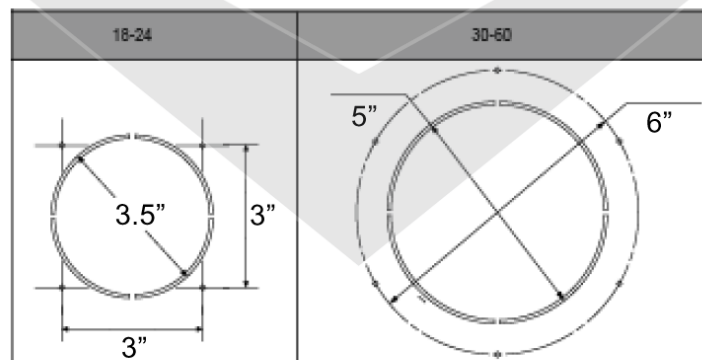
1.2 Easy Installation: Two air inlet styles (Bottom side or Rear side)

- Air inlet from rear is standard for all capacity; air inlet from bottom is optional.
- The size of air inlet frame from rear and bottom is same, it's very easy to move the cover from bottom to rear side, or from rear to the bottom, in order to matching the installation condition.

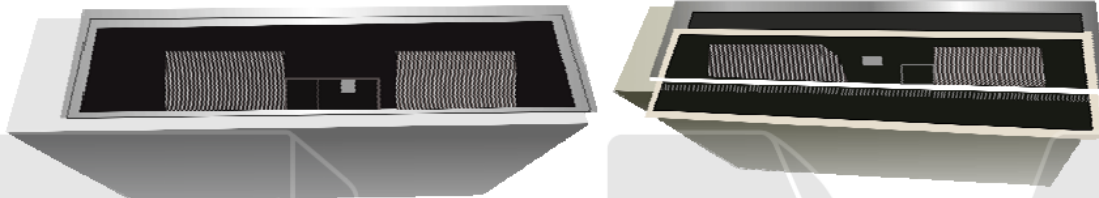


1.3 Fresh air intake function

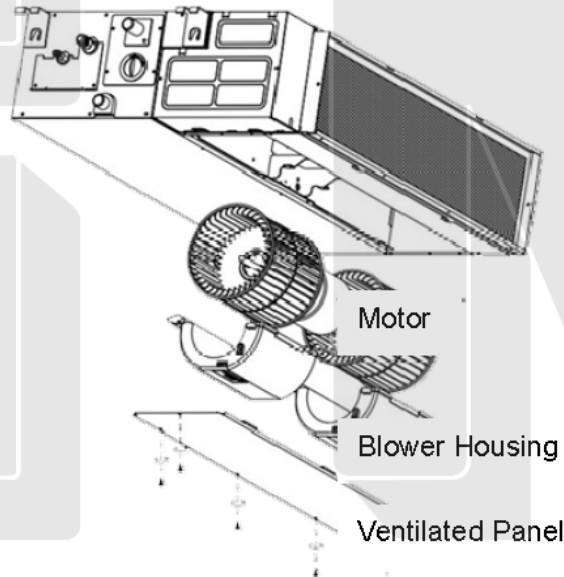
- Install one duct from the reserved fresh-air intake to outdoor. Continually inhale the fresh air to improve the quality of the indoor air, fulfills air quality more healthy and comfortable.



Features

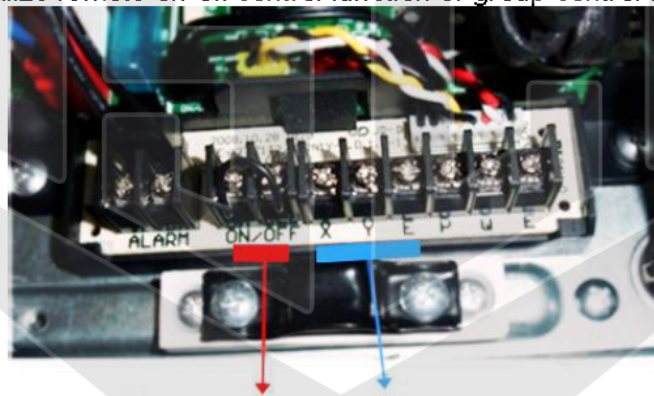


- Replace the motor or centrifugal fan
Remove the ventilated panel firstly. Remove a half of blower housing and take out the motor with centrifugal fan. Directly remove two bolts, and then replace the motor or centrifugal fan easily.



1.5 Reserved remote on-off and central control ports

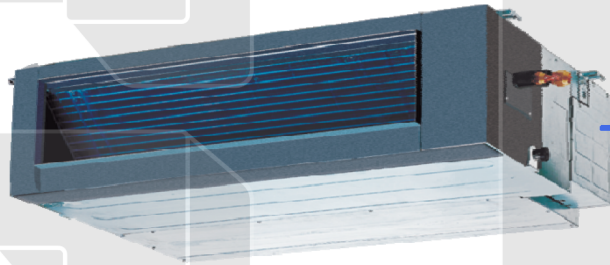
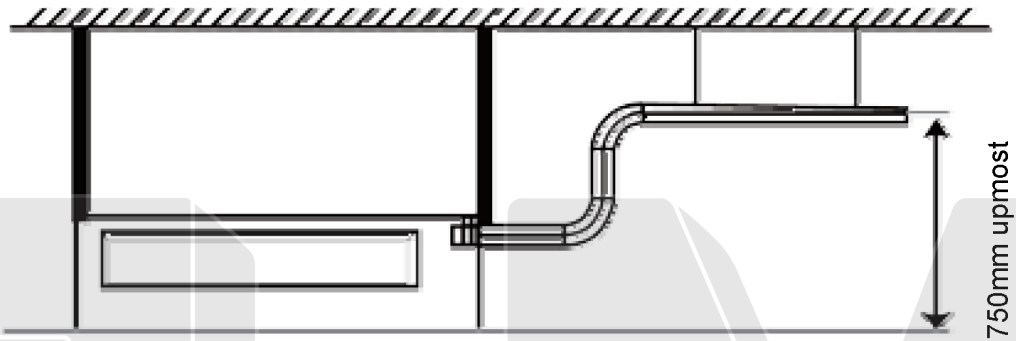
- Reserved remote on-off ports and central control ports, can connect the cable of an on-off controller or a central controller to realize remote on-off control function or group control function.



Remote on-off ports Central control ports

1.6 Built-in drain pump (Optional):

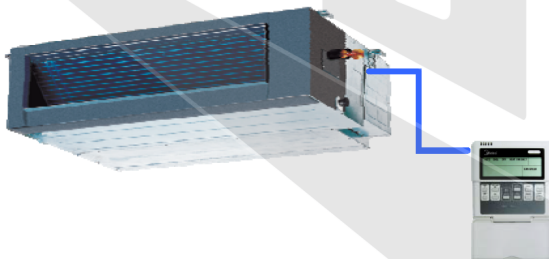
- Built-in drain pump can lift the water to 30" upmost. It's convenient to install drainage piping under most space condition.



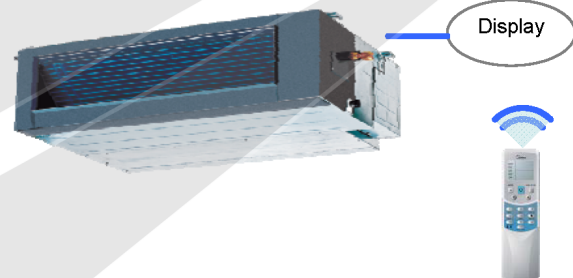
1.7 Built-in display board

- The standard indoor unit can be controlled by wired controller.
- There is a display board with a receiver in the E-box. Move out the display, and fix it in other place, even in the distance of 10m. The unit will realized remoter control.
- The wired controller and the display board can display the error code or production code when the chips detect some failure.

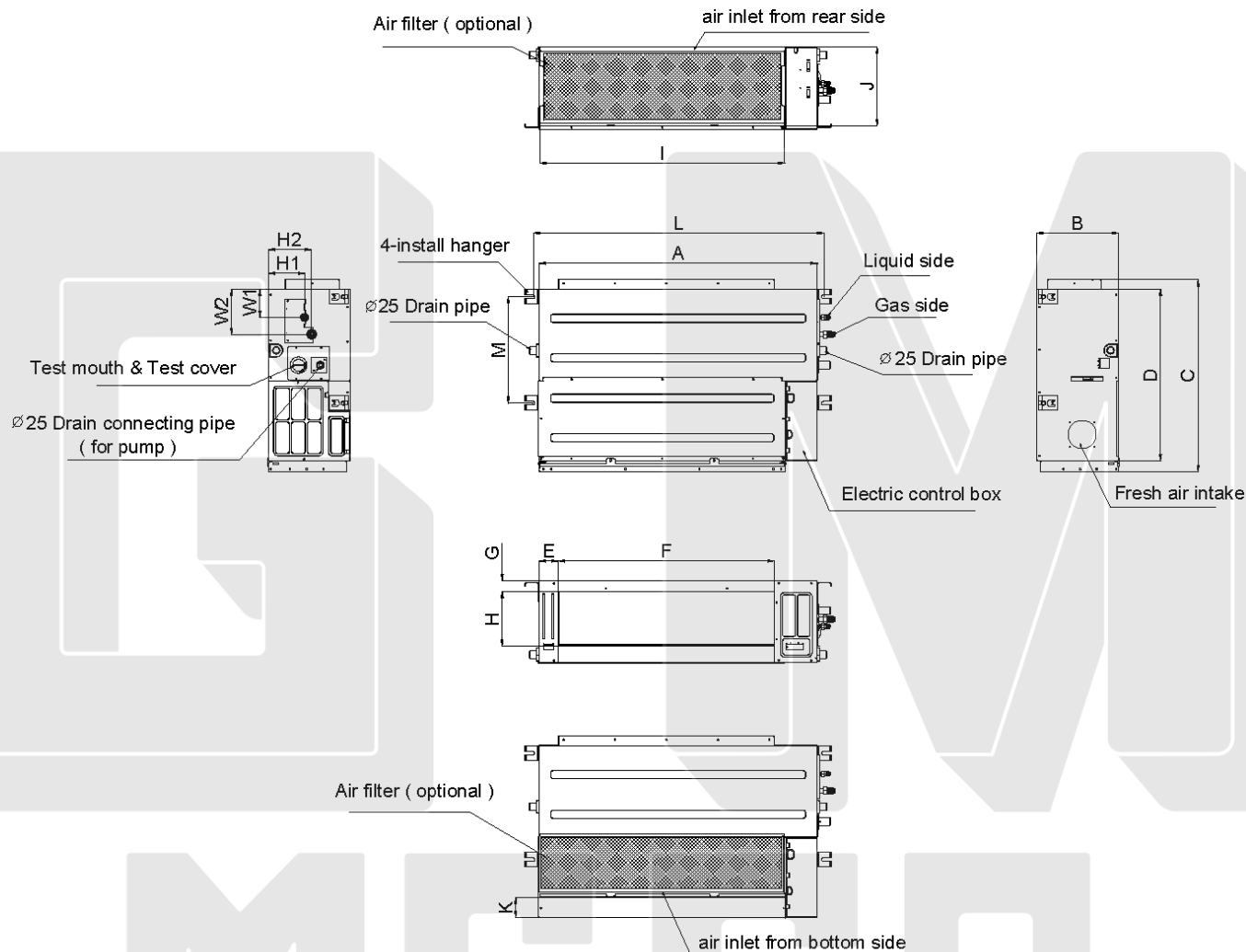
Thermostat Controller (Standard)



Remote Controller (Optional)



2. Dimensions



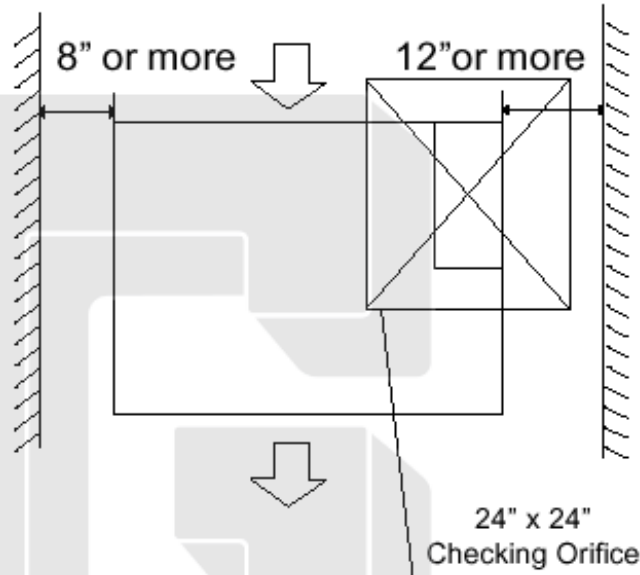
Note: standard product without filter

Capacity(KBtu/h)	Outline dimension(mm)				Air outlet opening size				Air return opening size			Size of install hanger		Size of refrigerant pipe			
	A	B	C	D	E	F	G	H	I	J	K	L	M	H1	H2	W1	W2
12	700	210	635	570	65	493	35	119	595	200	80	740	350	120	143	95	150
18	920	210	635	570	65	713	35	119	815	200	80	960	350	120	143	95	150
24	920	270	635	570	65	713	35	179	815	260	20	960	350	120	143	95	150
36	1140	270	775	710	65	933	35	179	1035	260	45	1240	500	120	143	95	150
48	1200	300	865	800	80	968	40	204	1094	288	45	1240	500	175	198	155	210

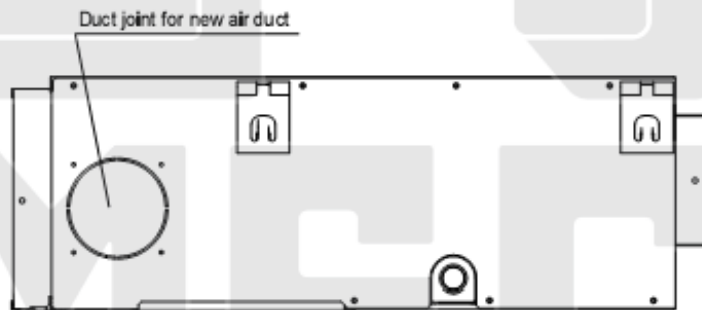
Unit: mm

3. Service Space

Ensure enough space required for installation and maintenance.



All the indoor units reserve the hole to joint the fresh air pipe. The hole size as following:



MODLE	
12-24	30-60
<p>3.5"</p> <p>3"</p> <p>3"</p>	<p>5"</p> <p>6"</p>