

Midea RAC Exploded View

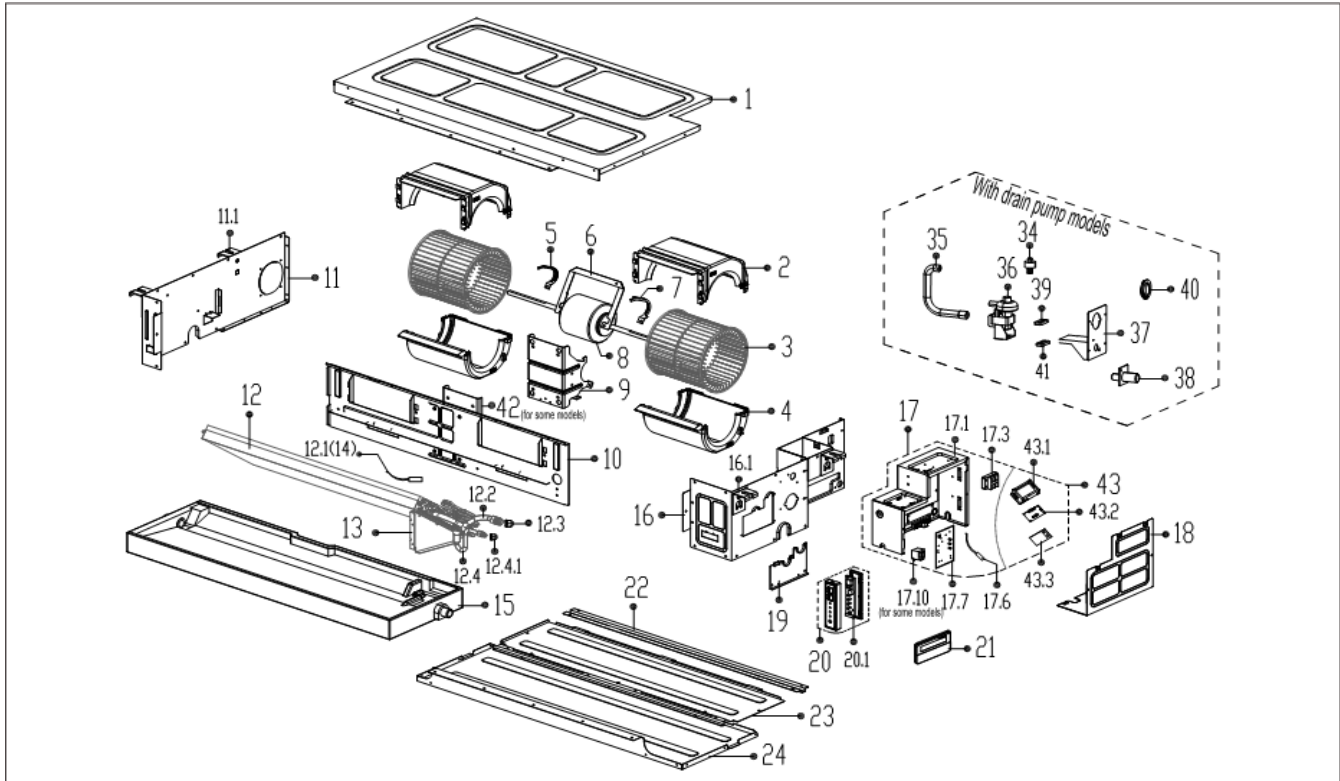
MEHSU-36CSD2

Sale Model:

MEHSU-36CSD2

Power Supply:

208-230V~ 60Hz 1Phase



No.	Part Name	Quantity	Historic Part#	Modern Part#
1	Chassis assembly	1	201270590299	12223000000498
2	Up volute shell	2	201170590004	12123000000024
3	Centrifugal fan	2	201100100807	12100103000079
4	Below volute shell	2	201170590003	12123000000022
5	Fan motor axes clamp (left)	1	201280200005	12222500000253
6	Fan motor fixing board	1	201270290101	12223000000537
7	Fan motor axes clamp (right)	1	201280200006	12222500000255
8	Asynchronous motor	1	202400300510	11002015000091
9	Supporter of fan motor	1	201270290100	12223000000559
10	Middle beam assembly	1	201270590298	12223000000229
11	Left clapboard assembly	1	201270590302	12223000000123
12	Evaporator assembly	1	2015705A0048	15823000A00058
12.1	Pipe temperature sensor assembly	1	202440500004	11201007000136
12.1	Pipe temperature sensor assembly	1	202301300804	11201007000266
12.2	Output pipe assembly	1	201670590265	15123000000302
12.3	Copper nut	1	201600320003	15500406000003
12.4	Input pipe assembly	1	201670590266	15123000000410
12.4.1	Copper nut	1	201600320001	15500406000010
13	Evaporator right support board assembly	1	201270590181	12223000000287
15	Water collector	1	202270590004	12823000000004
16	Right clapboard assembly	1	201270590301	12223000000089
17	Electronic control box assembly	1	203370790061	17223000000205

17.1	Electronic control box	1	201270590384	12223000000046
17.3	Wire joint	1	202301400488	17400401000006
17.6	Ambient temperature sensor assembly	1	202301310072	11201007000073
17.7	Main control board assembly	1	201370790034	17123000000182
17.10	Reactor	1	202301000950	17400306000070
18	Cover of electronic control box	1	201270590100	12223000000060
19	Pipe clamp board assembly	1	201270290082	12223000000524
20	Display box assembly	1	203370190008	17223000000003
20.1	Display board assembly	1	201370290012	17123000000096
21	Wired controller	1	#N/A	17317100A08725
22	Rear beam	1	201270590183	12223000000267
23	Rear cover assembly	1	201270590303	12223000000213
24	Top cover assembly	1	201270590272	12223000000201
29	Right clapboard strengthen board	1	201270590176	12223000000110
34	Water level sensor	1	202301310051	11201005000006
35	Drain pipe	1	202770290004	12623000000003
36	Drain pump	1	202400600005	17400802000021
37	Drain pump holder assembly	1	201270290085	12223000000571
38	Drain connecting pipe	1	201101030002	12100510000021
39	Drain pump rubber washer assembly	1	202742000404	12622500000004
40	Cover of water testing hole	1	201170290006	12123000000043
41	Drain pump rubber washer	1	202742000405	12622500000003
43	Electronic control box assembly	1	203319900794	17223000000083
43.1	Electronic control box	1	201270590340	12223000000052
43.2	Inverter control board assembly	1	201319903054	17122000008553
43.3	Radiator	1	202301900138	11203803000154
45	Water collector	1	201170290006	12123000000043
52	Flange assembly	1	201270590185	12223000000456
53	Air filter	1	201170590006	12100204000536