

# Midea RAC Exploded View

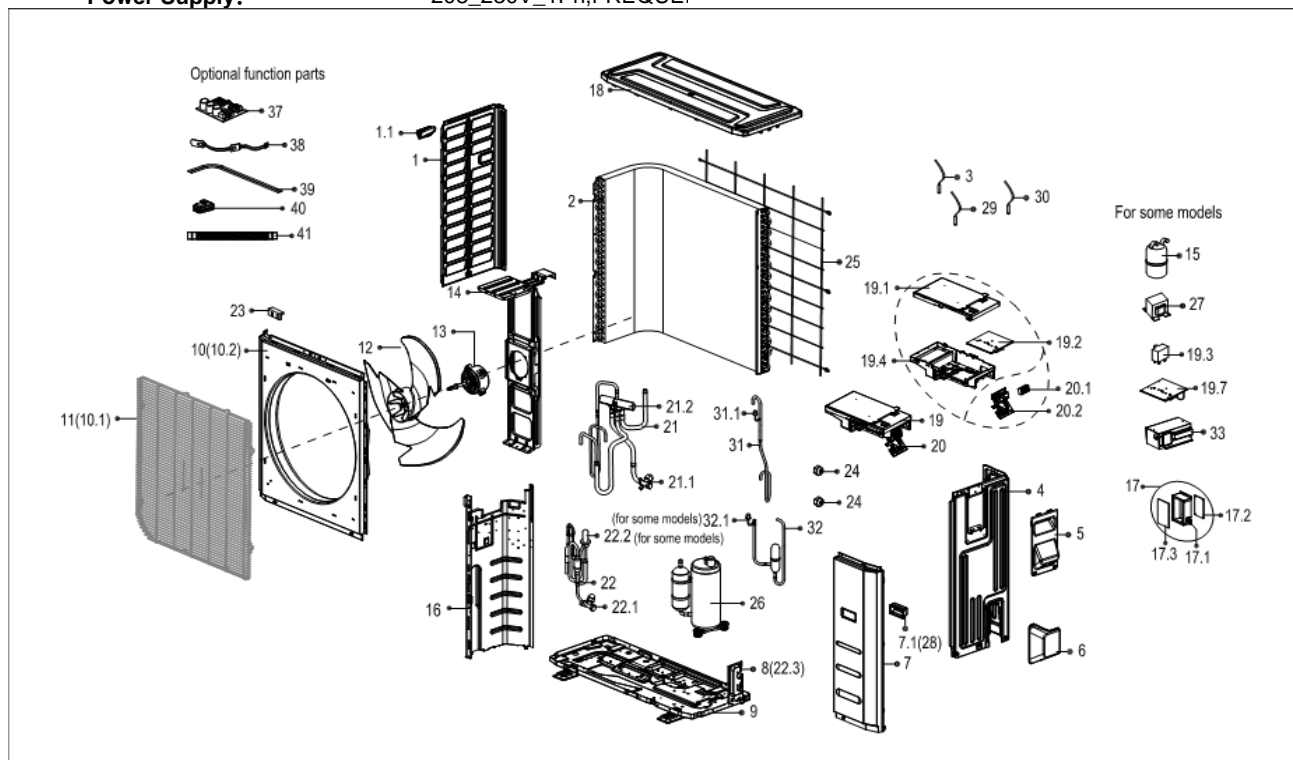
MCHSU-36CSH2

Sale Model:

MCHSU-36CSH2

Power Supply:

208\_230V\_1Ph,FREQUEI



No.	Part Name	Quantity	Historic Part#	Modern Part#
1	Left side plate assembly of cabinet	1	#N/A	12222000006665
1.1	Small handle	1	201148100137	12100701000033
2	Condenser assembly	1	#N/A	15822000A05892
3	Pipe temperature sensor assembly	1	202301300111	11201007000006
4	Rear right clapboard assembly	1	#N/A	12222000006664
5	Big handle	1	#N/A	12222000004019
6	Water collector	1	201148300277	12122200002695
7	Front right clapboard assembly	1	201247500021	12222500000540
7.1	Handle	1	201148300287	12100702000038
9	Chassis assembly	1	#N/A	12222000004018
10	Front panel	1	#N/A	12222500000588
11	Air outlet grille	1	#N/A	12222000004017
12	Axial flow fan	1	201100300532	12100105000084
13	Fan motor	1	202400310139	11002015000247
14	Supporter assembly of fan motor	1	#N/A	12222000005162
15	Accumulator cylinder	1	201601000659	15500508000002
16	Partition board assembly	1	201248300341	12222200001158
18	Top cover assembly	1	#N/A	12222500000587
19	Electronic control box assembly	1	#N/A	17222000A16108
19.1	Cover of electronic control box	1	201148300284	12122200002719
19.2	Outdoor main control board assembly	1	#N/A	17122500001211
19.4	Electronic installing box	1	201148300283	12122200002715
19.7	Inverter control board assembly	1	#N/A	17122500001174
20	Terminal board assembly	1	203375590372	17223000000581

20.1	Wire joint	1	202301400256	17400401000075
20.1	Wire joint	1	202301450012	17400401000098
20.2	Terminal board	1	201248300339	12222200001476
21	4-ways valve assembly	1	#N/A	15422500000236
21.1	Gas valve	1	201600720398	15500204000025
21.2	4-ways valve	1	#N/A	15500216000681
22	liquid valve assembly	1	#N/A	15423000001918
22.1	Liquid valve	1	201600720091	15500204000008
22.2	Electronic expansion valve	1	#N/A	15500213000245
22.3	Valve plate	1	#N/A	12222200002110
24	Copper nut	1	201600320003	15500406000003
25	Rear net	1	#N/A	12222000006604
26	Compressor	1	#N/A	11103020000439
29	Discharge temperature sensor assembly	1	202448200000	11201007000246
30	Ambient temperature sensor assembly	1	202301300476	11201007000039
31	Suction assembly	1	#N/A	15122500001076
31.1	Low pressure switch	1	202301800118	17400516000024
32	Discharge assembly	1	#N/A	15122500001079
32.1	High pressure switch	1	202301820020	17400516000007
38	Crankcase electric heater	1	#N/A	17402001000119
39	Electric heater of chassis	1	#N/A	17402002000043