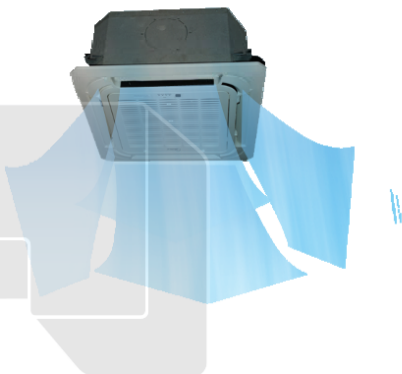


Features (12K, 18K)

## 1. Features (12K, 18K)

### 1.1 New panel

- 360°surrounding air outlet design, affords comfortable feeling



### 1.2 Compact design

- The body size is 570×260×570mm, it's just smaller than the ceiling board, so it's very easy for installation and will not damage the decoration. The panel size is 647×50×647mm.
- The hooks are designed in the four corners of the body, which can save installation space.



### 1.3 Electric control box built-in design

- The E-box is simply and safely built inside the indoor unit. It's convenient for installation and maintenance. Can check the control part easily, you only need to open the air return grille.



### 1.4 Air passage function

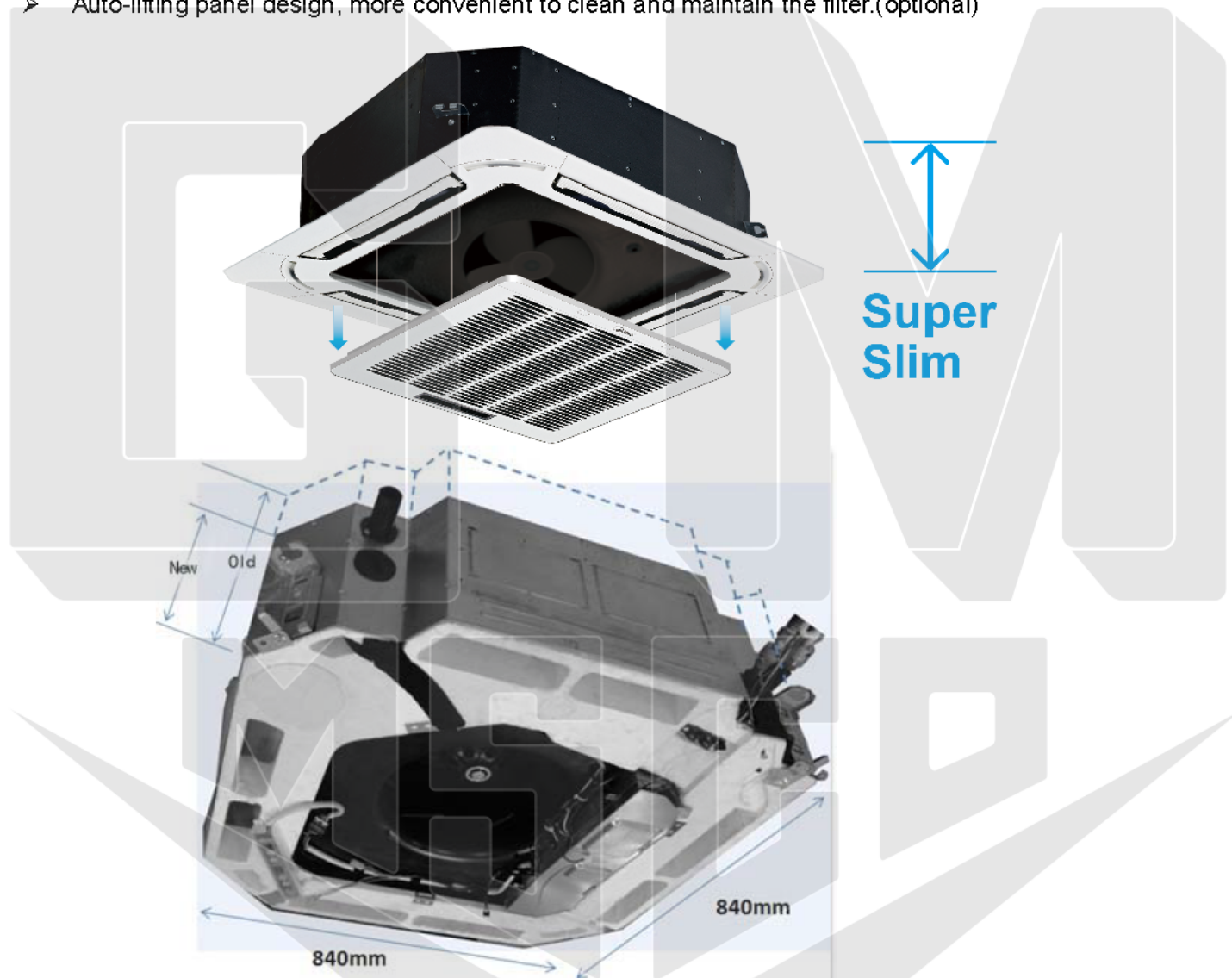
- Reserves the space for air outlet from the side of indoor unit; It's availed to connect air duct from the two sides to the nearby small rooms.



## 2. Features (24K,36K)

### 2.1 Overview

- Compact design, super slim body size, less space requiring in installation
- Each louver can be separately controlled, more comfort air blowing is possible.
- Auto-lifting panel design, more convenient to clean and maintain the filter.(optional)

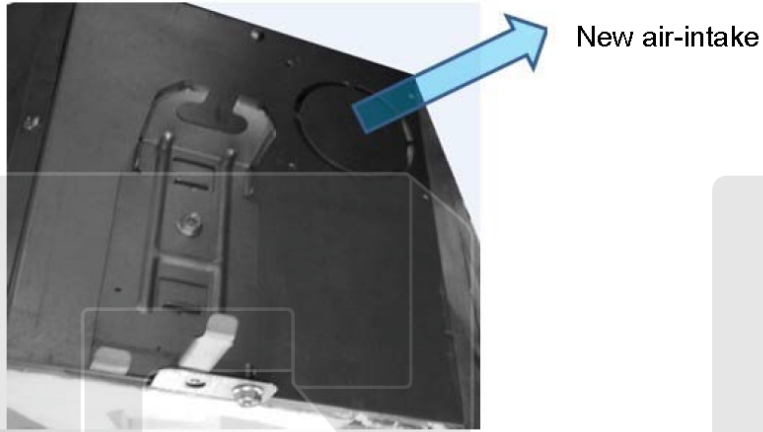


	Old Cassette	New slim cassette	Volume change
Dimension	18K-24K: 840*230*840	18K-24K: 840*205*840	11%↓
	30K: 840*300*840	30K: 840*205*840	32%↓
	36K-48K: 840*300*840	36K-48K: 840*245*840	18%↓

### 2.2 Fresh air intake function

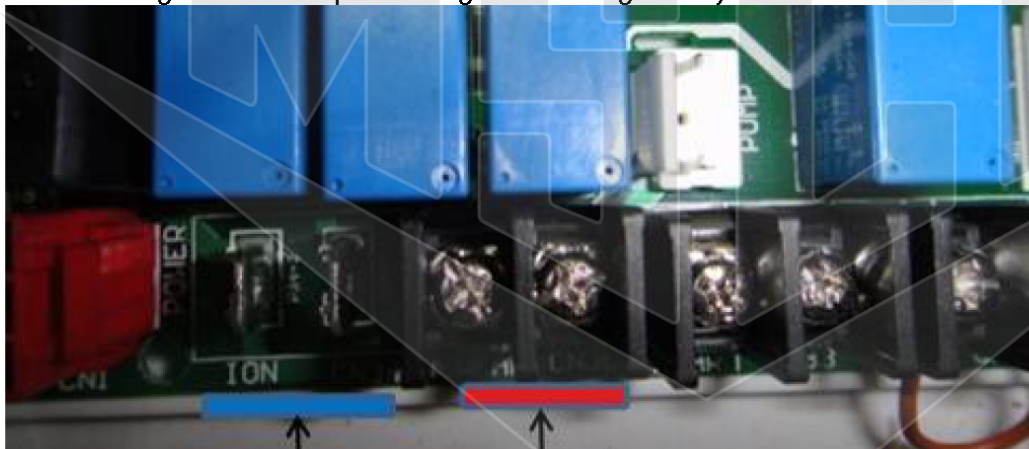
- Fresh air fulfills air quality more healthy and comfortable.
- Ventilation motor is optional to increase the effect of fresh air.

Features (24K,36K)



### 2.3 Optional ionizer generator

- Ionizer generator is optional to get refreshing air to your room.



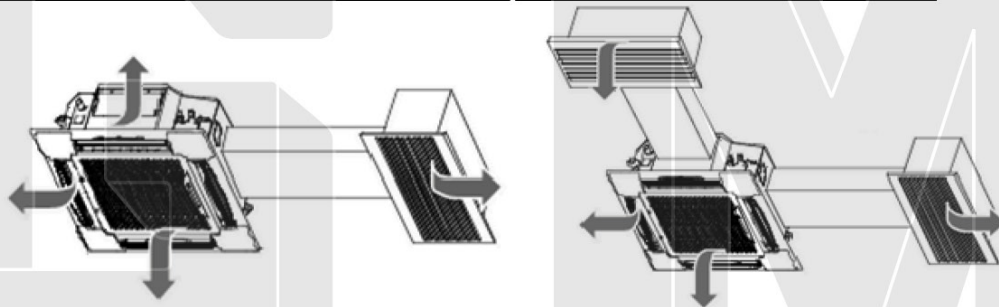
Ionizer generator  
connector

Ventilation motor  
connector

- Ionizer can be switched on or off by remote controller.  
 When pressing the Clean Air button on the remote controller, Ionizer will work and the indicator light on display board will shine.

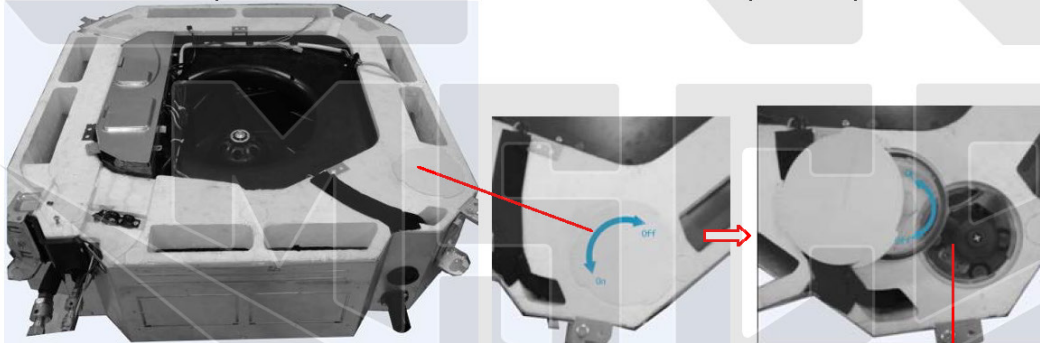
**2.4 External air duct design**

- Reserve external air duct, more flexible for the air supply.



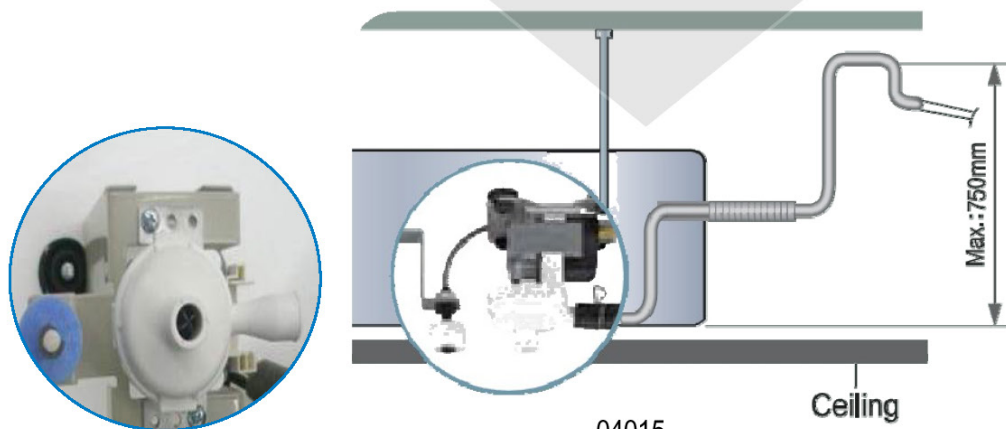
**2.5 Built-in draining pump**

- Due to the improvement of structure, more convenient to repair or replace the draining pump.



Draining Pump

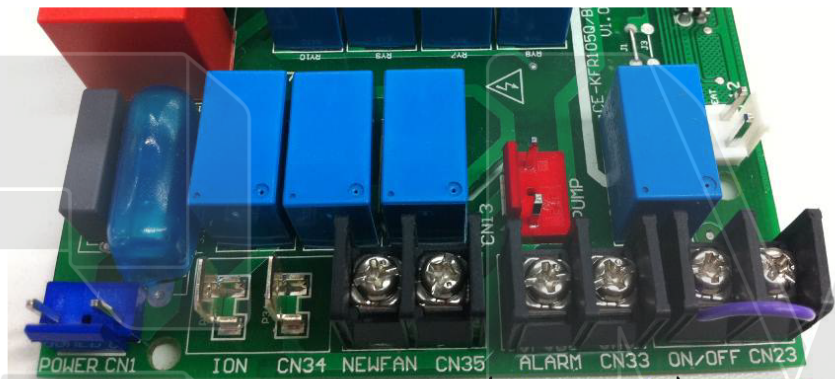
- Built-in draining pump to make sure condensed water drain out reliably.



Features (24K,36K)

## 2.6 Terminals for alarm lamp and long-distance on-off controller connection are standard

- Reserve terminals for the connection of alarm lamp and long-distance on-off controller, more human control.



Alarm lamp

Long-distance on-off controller

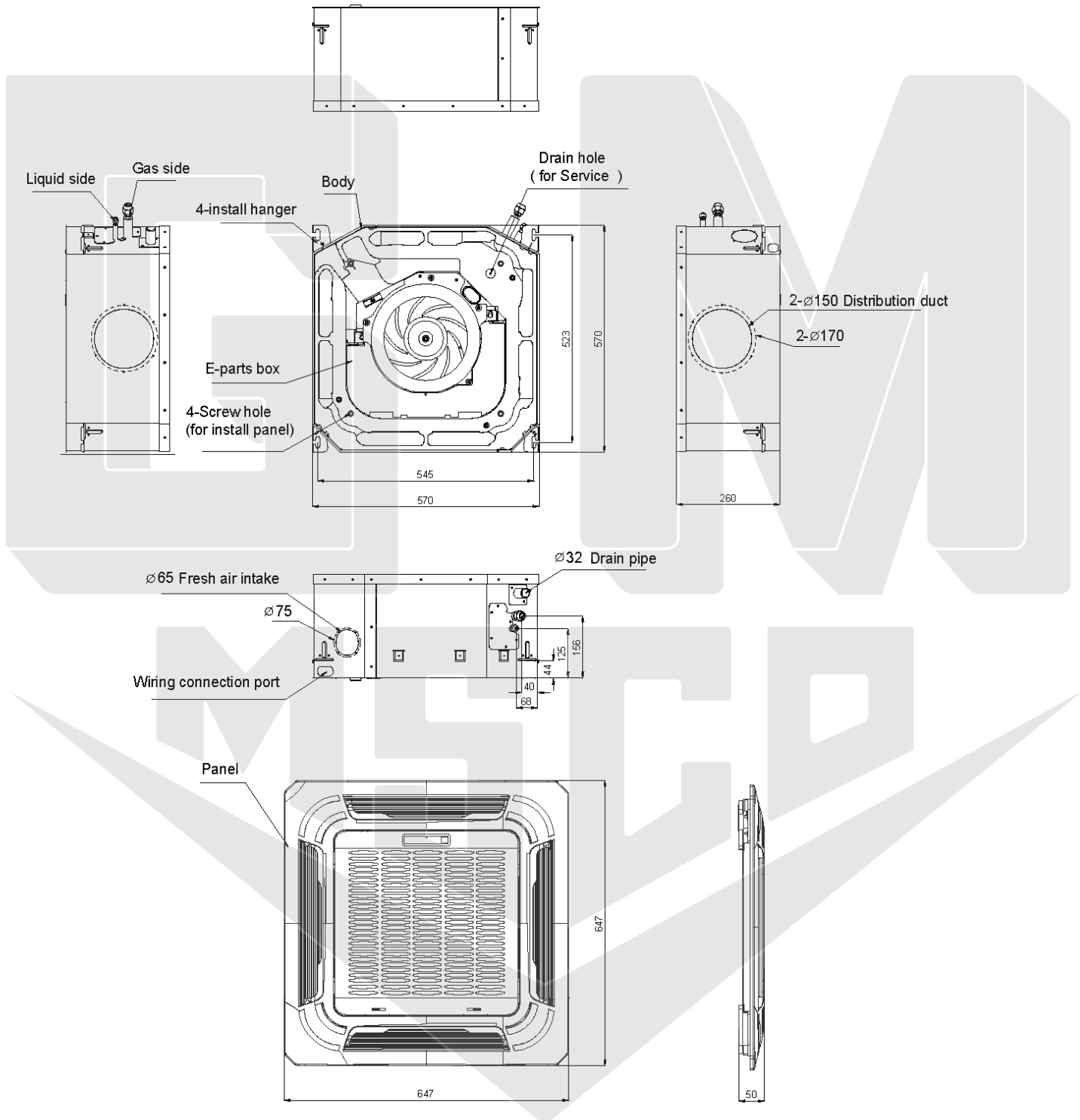
## 2.7 Optional touch screen wired controller

- Touch screen wired controller is optional, with error code indication function. Better man-machine conversation interface.
- Undated structure design, 4-way wire layout design, no raised part at backside, more convenient to place the wires and install the device.



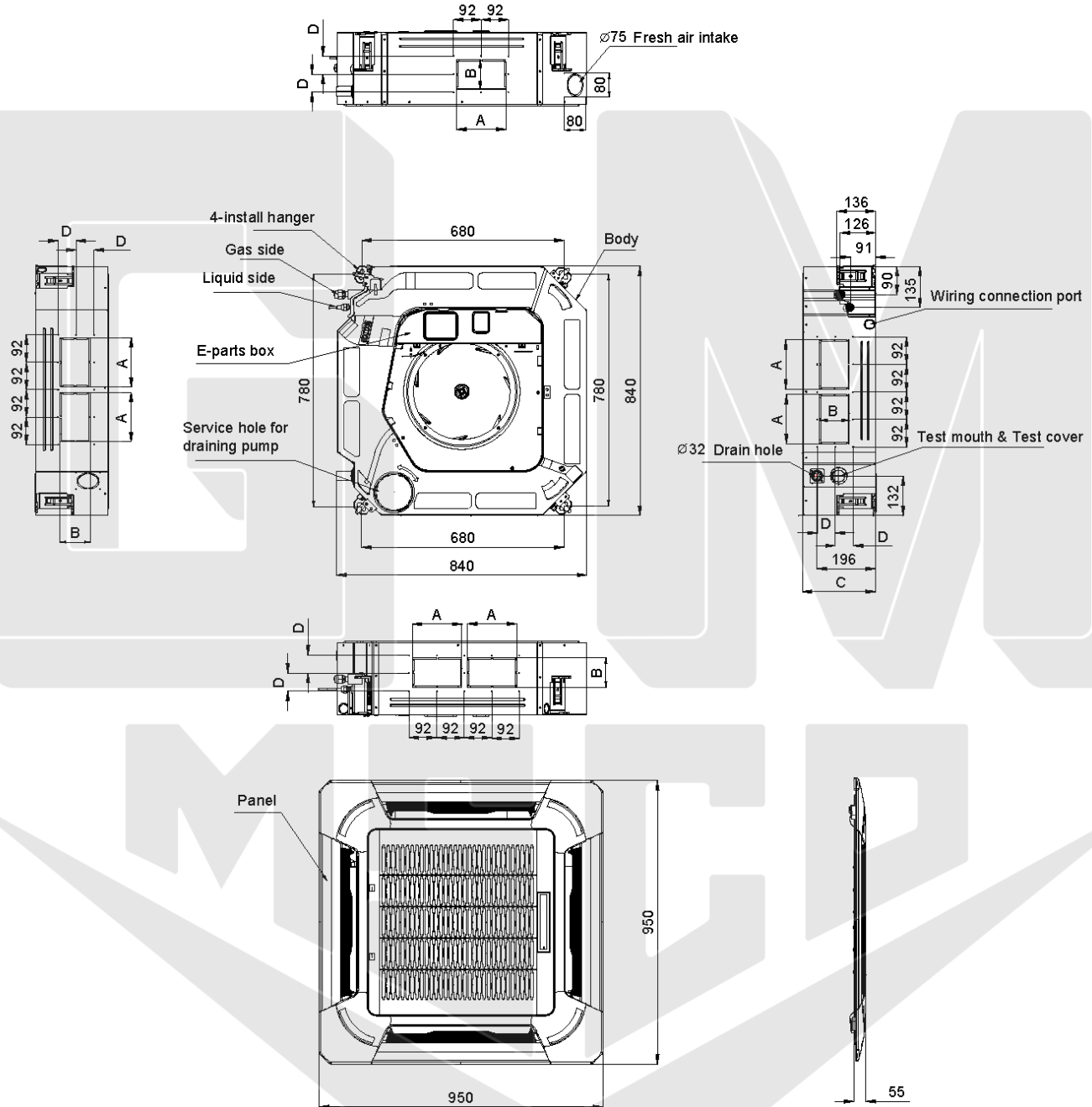
## 3. Dimensions

12K, 18K



## Dimensions

### 24K,36K,48K



Unit: mm				
Capacity(KBtu/h)	A	B	C	D
24	160	75	205	50
36	160	95	245	60
48	160	95	287	60

**4. Service Space**

