



## Submittal Form

Project Name:	
Location:	
Engineer:	
Submitted to:	
Submitted by:	
Reference:	

Approval:	
Date:	
Construction:	
Unit #:	
Drawing #:	

MODEL #	
<b>INDOOR:</b>	MEHSU-24CHC2
<b>OUTDOOR:</b>	MCHSU-24PHH2



### ELECTRICAL

Power supply	Ph-V-Hz	1-208/230-60
Minimum Circuit Ampacity	A	20
Maximum Fuse Size	A	30

### COOLING

Capacity	Btu/h	24000(9600-28800)
Input	W	2182
Rated current	A	9.5
EER	Btu/w	11
SEER	Btu/w	20

### HEATING

Capacity	Btu/h	24000(9600-28800)
Input	W	1911
Rated current	A	8.3
COP	A	3.68
HSPF	W/W	11.5
Low temperature heating capacity (5f)	Btu/h	24000

### COMPRESSOR

Model		ATF235D22VMT
Type		ROTARY
Brand		GMCC
Input	W	1970
Rated Current (RLA)	A	14
Refrigerant Oil/Charge	ml	POE VG74/670

### SYSTEM DATA

Design pressure	MPa	550/340 PSIG
Refrigerant	oz	R410A/91.7
Refrigerant precharge	ft	25
Additional charge per ft.	oz	0.161
Liquid	mm(in)	6.35(3/8")
Gas	mm(in)	9.52(5/8")
Max. refrigerant pipe length	ft.	164
Max difference in level	ft.	82

### INDOOR UNIT DATA

Indoor fan		MEHSU-24CHC2
Model		ZKFP-42-8-1
Brand		WELLING
Input	W	42
RLA	A	2
Speed(Hi/Mi/Lo)	r/min	(600/520/450)
Indoor air flow (Hi/Mi/Lo)	CFM	(878/761/625)
Indoor noise level (Hi/Mi/Lo)	dB(A)	(52/50/47)

### INDOOR UNIT DIMENSIONS

Dimension(WxDxH)	inch	(33.07X33.07X8.07)
Packaging (WxDxH)	inch	(35.43X35.43X10.12)
Net/Gross weight	lbs.	21/24.6

### OUTDOOR UNIT DATA

Outdoor fan motor		MCHSU-24PHH2
Model		ZKFN-120-8-2
Brand		WELLING
Input	W	120
RLA	A	0.5
Speed	r/min	810
Outdoor air flow	CFM	2354
Outdoor noise level	dB(A)	61

### OUTDOOR UNIT DIMENSIONS

Dimension(WxDxH)	inch	(37.2X16.1X31.9)
Packaging (WxDxH)	inch	(42.91X19.69X34.45)
Net/Gross weight	lbs.	141.1/153.2

### OPERATION TEMPERATURE

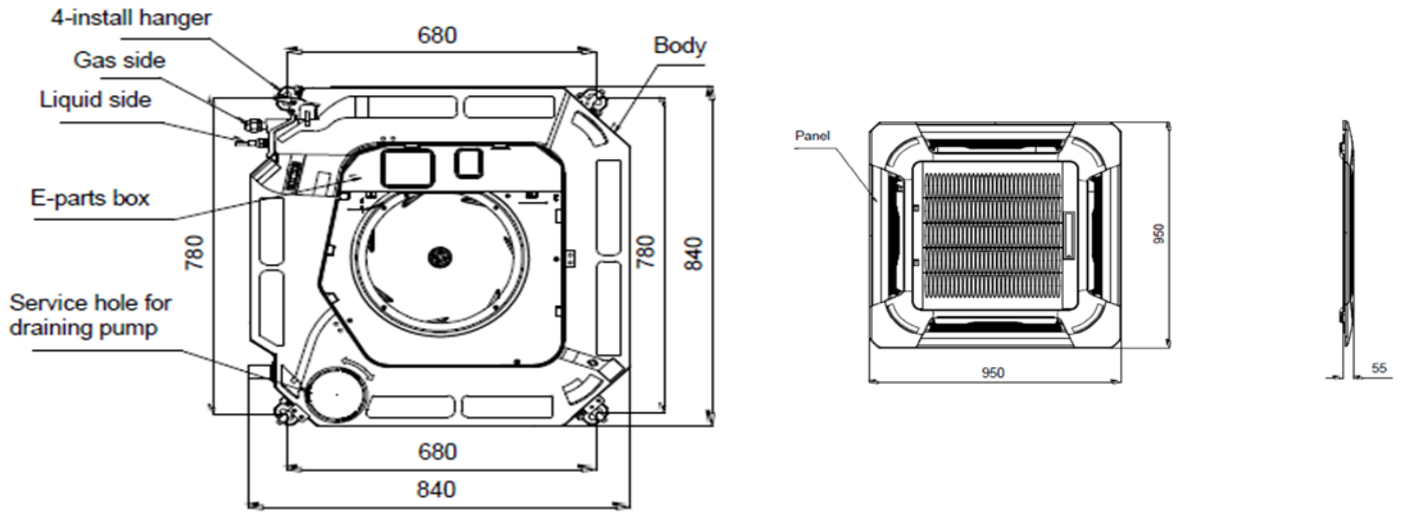
Indoor(cooling/ heating)	Deg. F	(62-90/32-86)
Outdoor(cooling/heating)	Deg. F	(-22-122/-22-86)

### ACCESSORIES

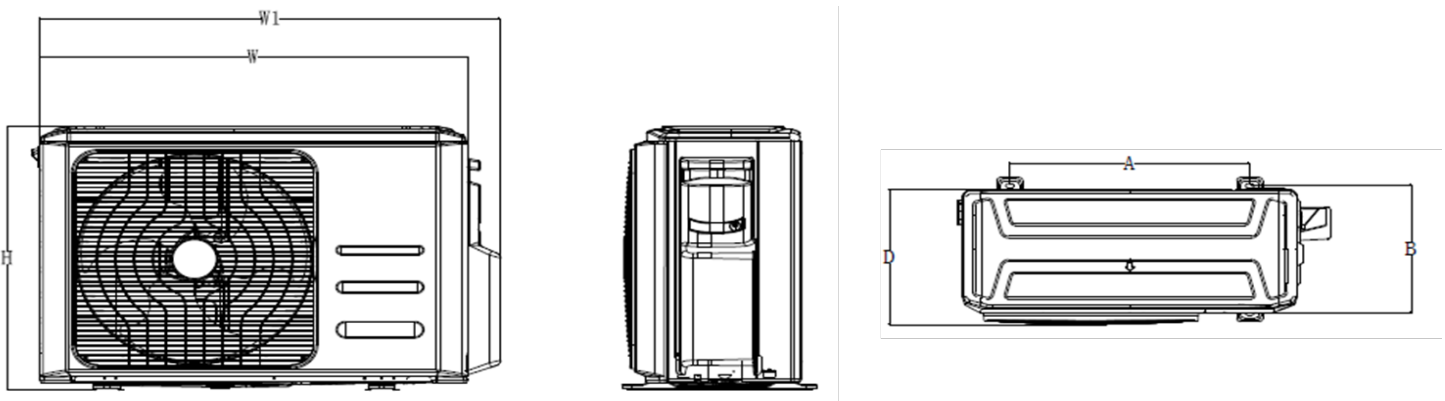
Wired Control	Model#	120G2
Installation Kit	Model#	Installation Kit 3
Piping Kit	Model#	PJX-3

### Midea America Corp.

5 Sylvan Way, Parsippany, NJ 07054  
 P: (973) 539-5330 - F: (973) 539-5336  
[www.midea.com/us](http://www.midea.com/us)



Dimensions	Width	Depth	Height
Inches	33 3/16	33 3/16	11 1/4



Dimensions	Width	Width 1	Depth	Height	A	B
Inches	37 1/4	40 5/8	16 1/8	31 7/8	26 1/2	15 7/8

**Midea America Corp.**

5 Sylvan Way, Parsippany, NJ 07054  
 P: (973) 539-5330 - F: (973) 539-5336  
[www.midea.com/us](http://www.midea.com/us)