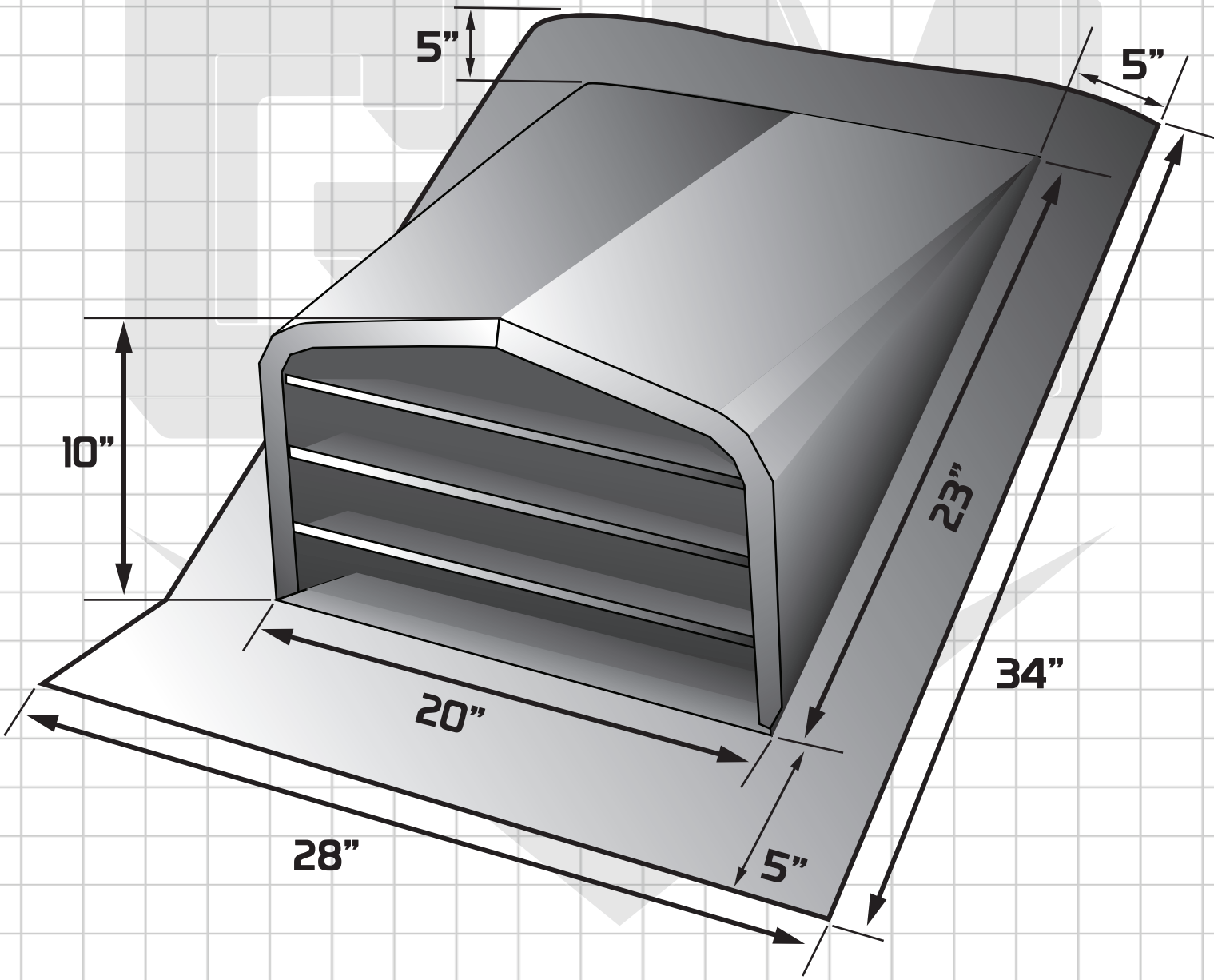


MODEL: Dormer Vent
ITEM: 4 / 12 - DVS

SUBMITTAL SHEET

GENERAL METALS MFG
2727 W, WELDON AVE.
PHOENIX, AZ 85017
FAX: 602.277.6039
PHONE: 602.264.4815
www.generalmetals.com



NOT TO SCALE

JOB: _____
ARCHITECT: _____
ENGINEER: _____
CONTRACTOR: _____
LOCATION: _____

FREE AREA: 92 SQ. INCH

TAG	QTY			