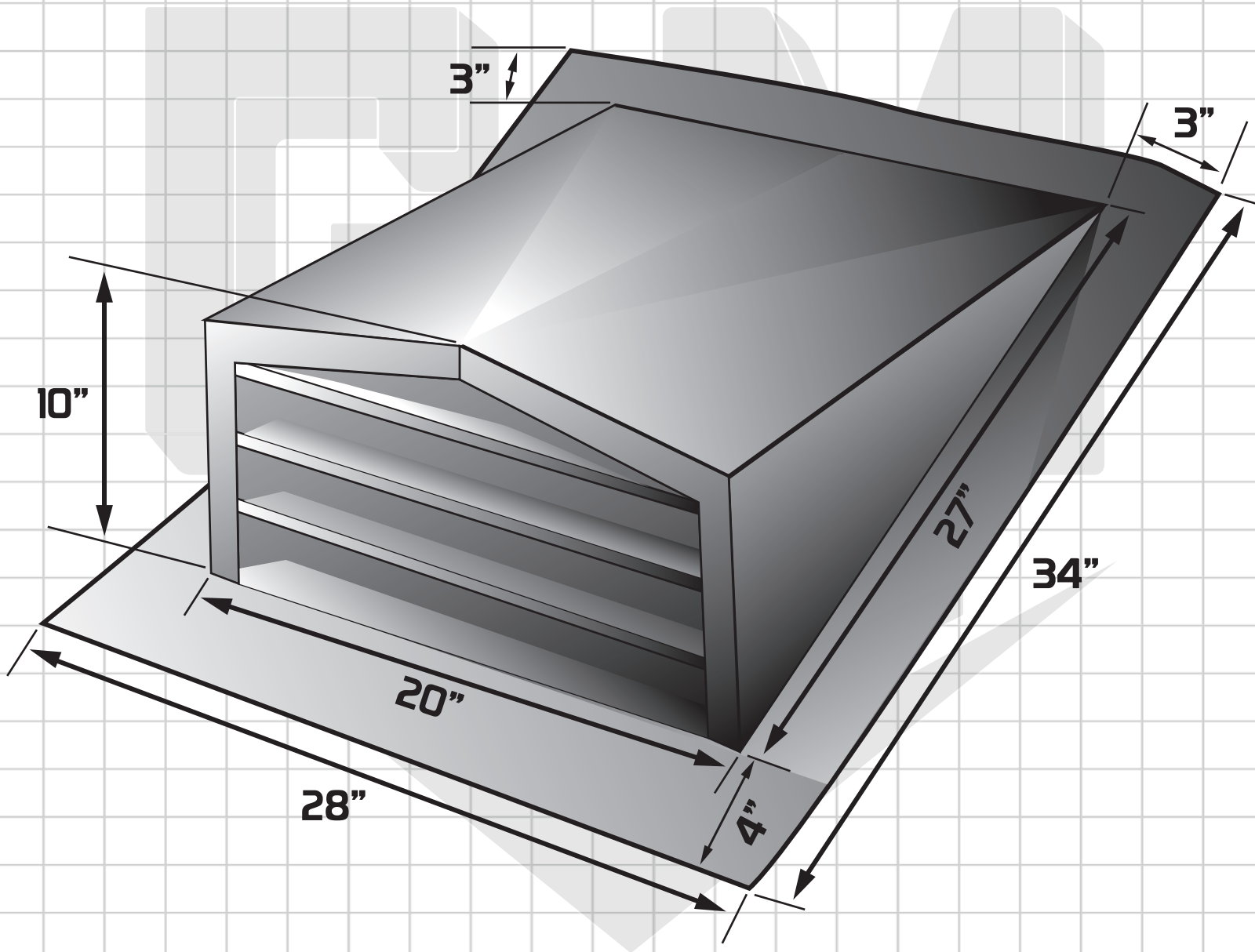


**MODEL: Dormer Vent**  
**ITEM: 4 / 12 - DVF**

# SUBMITTAL SHEET

GENERAL METALS MFG  
2727 W, WELDON AVE.  
PHOENIX, AZ 85017  
FAX: 602.277.6039  
PHONE: 602.264.4815  
www.generalmetals.com



NOT TO SCALE

JOB: \_\_\_\_\_  
ARCHITECT: \_\_\_\_\_  
ENGINEER: \_\_\_\_\_  
CONTRACTOR: \_\_\_\_\_  
LOCATION: \_\_\_\_\_

**FREE AREA: 92 SQ. INCH**

| TAG | QTY |  |  |  |
|-----|-----|--|--|--|
|     |     |  |  |  |
|     |     |  |  |  |
|     |     |  |  |  |
|     |     |  |  |  |