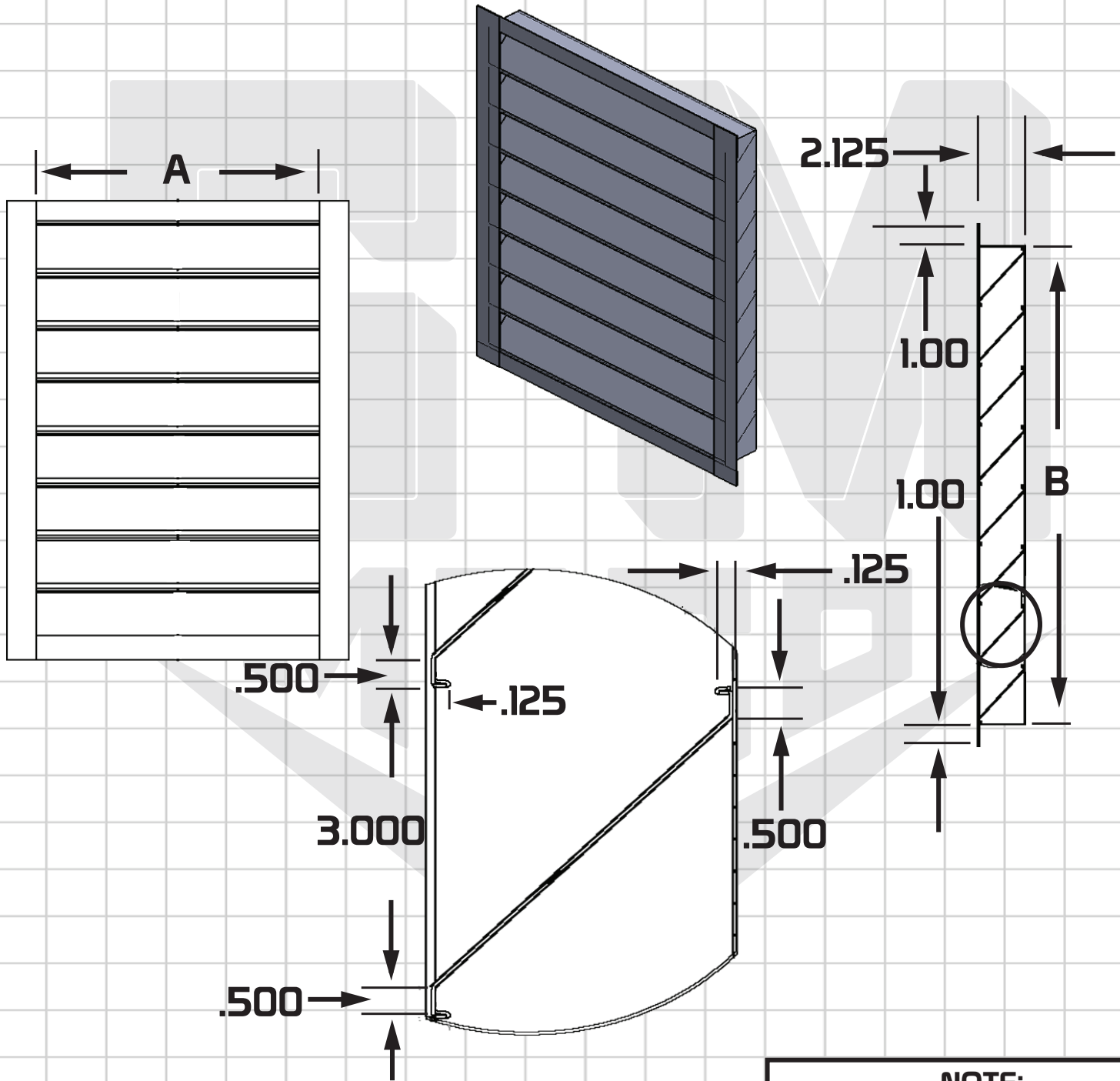


MODEL: Gable Louver
ITEM: GL XX^Ax XX^B

SUBMITTAL SHEET

GENERAL METALS MFG
 2727 W, WELDON AVE.
 PHOENIX, AZ 85017
 FAX: 602.277.6039
 PHONE: 602.264.4815
 www.generalmetals.com



NOT TO SCALE

NOTE:
 All Gable's Have 1/4" Hardware Cloth Mesh Meets ICBO Requirement. Subtract 1/2" Of "A" and "B" Net Demension

JOB: _____
ARCHITECT: _____
ENGINEER: _____
CONTRACTOR: _____
LOCATION: _____

FINISH: _____			
TAG	QTY	WIDTH "A"	HEIGHT "B"



GABLE END LOUVERS

Designed to be mounted in the gable end of a building, allowing proper ventilation of attic or enclosed spaces. They offer all weather protection and the #4 mesh hardware cloth prevents birds and insects from entering the space. Available in Flush Type or Limited Recessed (for stucco).



CONSTRUCTION

Die formed & spot welded galvanized steel backed with #4 mesh hardware cloth for strength and appearance

ADVANTAGES

- Reduces attic temperatures
- Lowers utility costs

PATENT #3732800

Model GL

W x H INCHES	FREE AREA SQ. INCHES	APPROX. WEIGHT (LBS)	W x H INCHES	FREE AREA SQ. INCHES	APPROX. WEIGHT (LBS)
12 x 12*	48	1.5	20 x 12	84	2.3
12 x 14	59	2	20 x 14	102	2.67
12 x 18*	80	2.06	20 x 18	140	3
12 x 20	90	2.3	20 x 20	158	4
12 x 24	112	3.5	20 x 24	196	5
12 x 30	143	4	20 x 30	248	5.74
14 x 12*	57	2	24 x 12	102	3.25
14 x 14	70	2.5	24 x 14	124	3.2
14 x 18*	95	3.5	24 x 18	170	4.13
14 x 20	108	4	24 x 20	192	4.58
14 x 24*	133	6	24 x 24*	237	4.5
14 x 30	164	6	24 x 30*	306	5
14 x 36	208	6.5	24 x 36	373	6
16 x 16	88	5.5	30 x 12	129	3.44
16 x 18	98	4	30 x 18	214	4
16 x 24	154	6	30 x 20	248	5.73
18 x 12	75	2.06	30 x 24	300	6.88
18 x 14	107	2.5	30 x 30	386	8.59
18 x 18*	125	3.09	36 x 12	147	5
18 x 20	175	4	36 x 18	259	8
18 x 24*	191	4.13	36 x 24	363	10.50
18 x 30	216	4.5	36x 30	467	11
18 x 36	274	6	36 x 36	570	11.75

* Indicates availability in Recessed (for stucco)

All listed sizes are readily available. Other sizes can be special ordered.