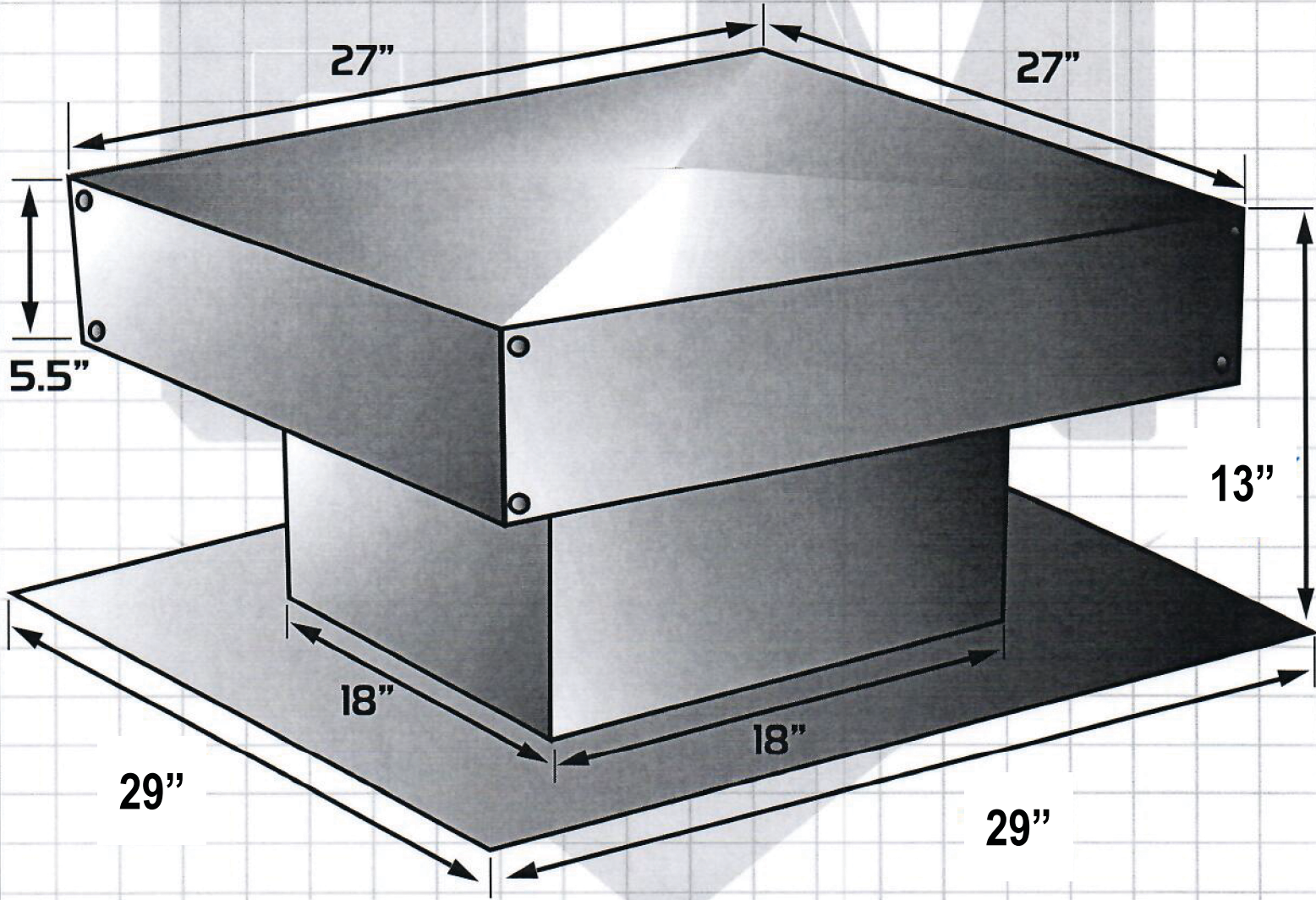


MODEL: Flat Vent Cap Tall  
 ITEM: FVC 18x18 T

# SUBMITTAL SHEET

GENERAL METALS MFG  
 2727 W, WELDON AVE.  
 PHOENIX, AZ 85017  
 FAX: 602.277.6039  
 PHONE: 602.264.4815  
 www.generalmetals.com



NOT TO SCALE

JOB: \_\_\_\_\_  
 ARCHITECT: \_\_\_\_\_  
 ENGINEER: \_\_\_\_\_  
 CONTRACTOR: \_\_\_\_\_  
 LOCATION: \_\_\_\_\_

FREE AREA: 247 SQ. INCHES				
TAG	QTY			