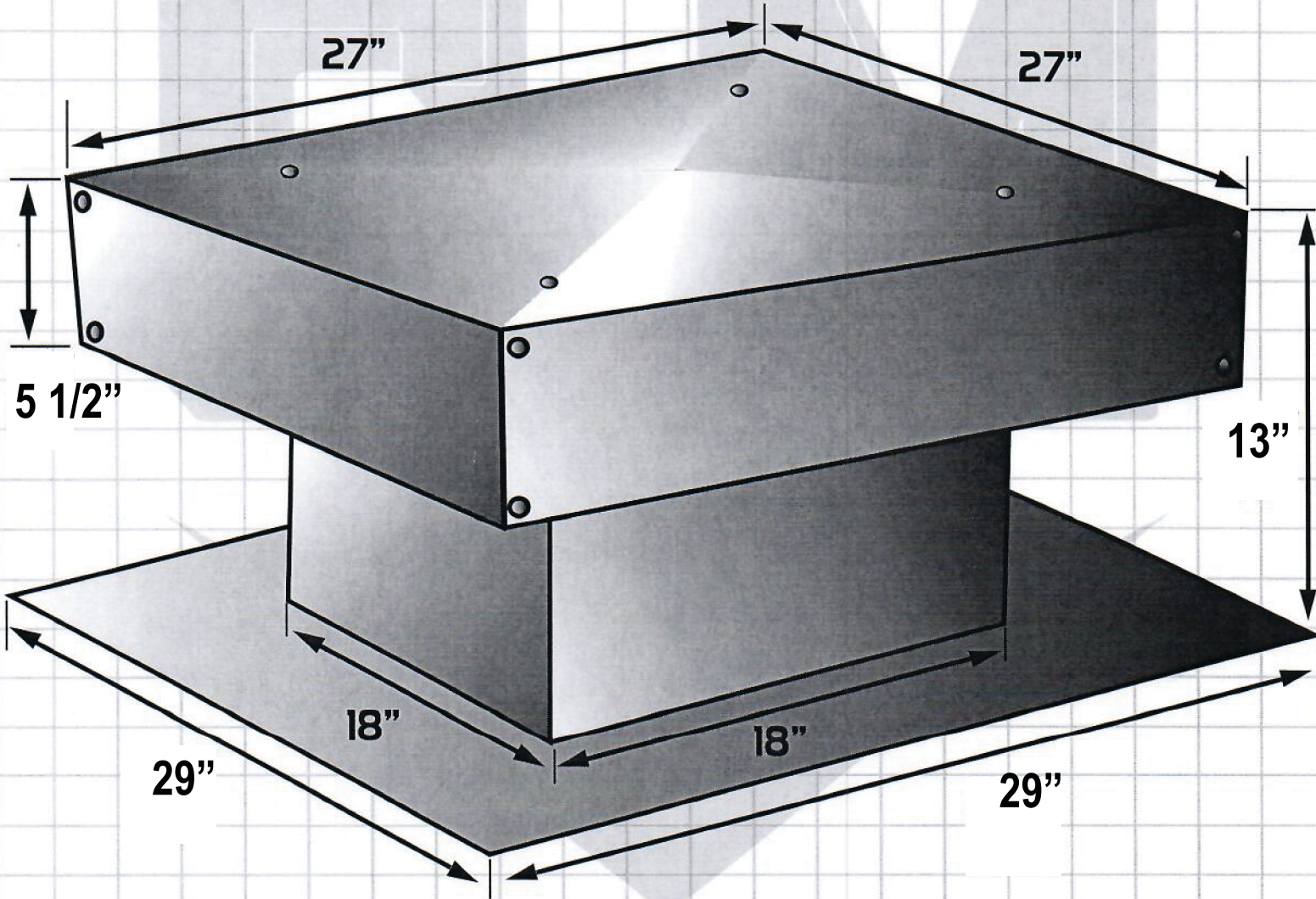


MODEL: Flat Vent Cap Removable

ITEM: FVC 18x18 R

SUBMITTAL SHEET

GENERAL METALS MFG
2727 W, WELDON AVE.
PHOENIX, AZ 85017
FAX: 602.277.6039
PHONE: 602.264.4815
www.generalmetals.com



NOT TO SCALE

JOB: _____

ARCHITECT: _____

ENGINEER: _____

CONTRACTOR: _____

LOCATION: _____

FREE AREA: 247 SQ. INCH

TAG	QTY			