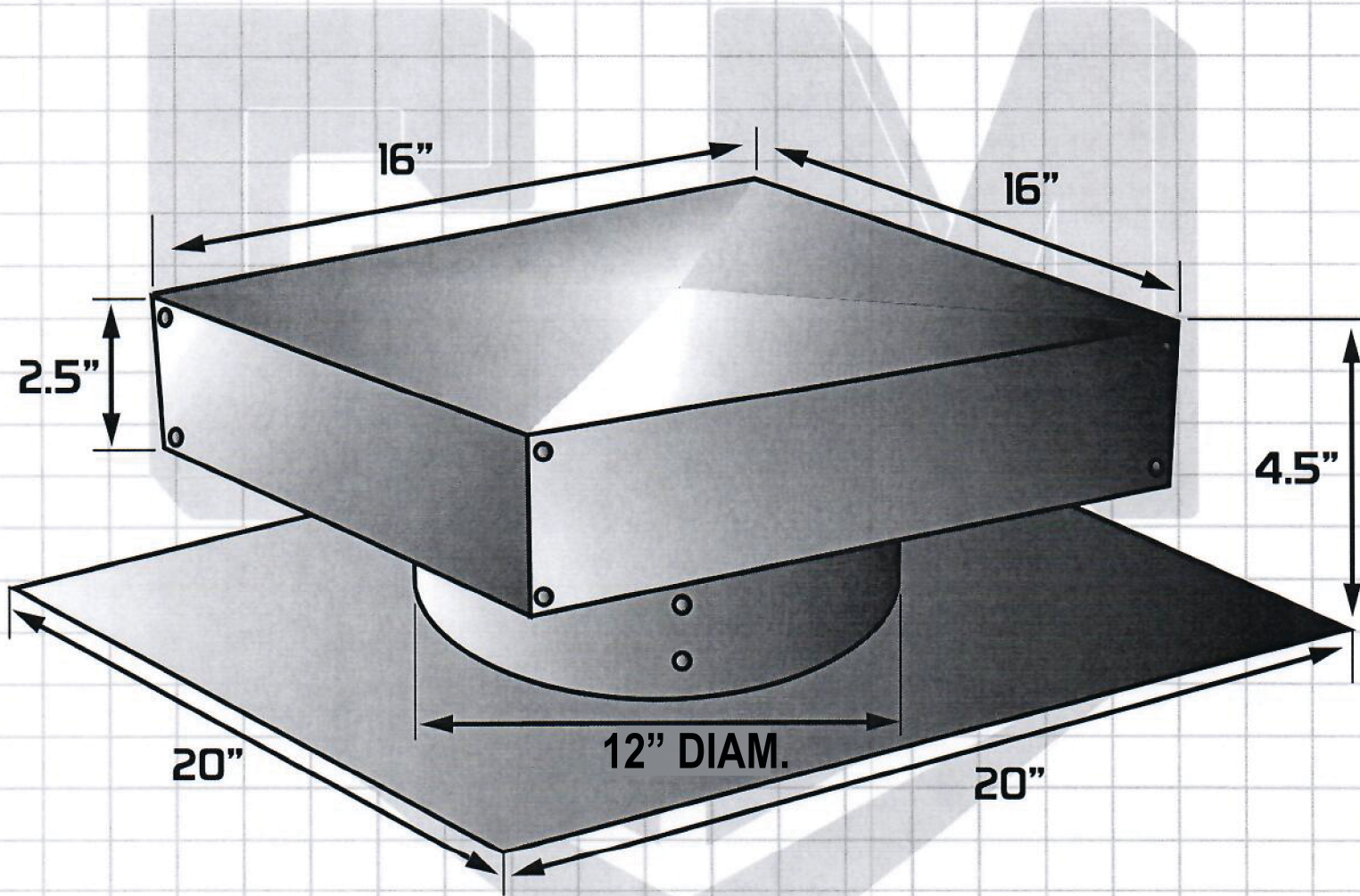


MODEL: Flat Vent Cap 12" RD.

ITEM: FVC 12

SUBMITTAL SHEET

GENERAL METALS MFG
2727 W, WELDON AVE.
PHOENIX, AZ 85017
FAX: 602.277.6039
PHONE: 602.264.4815
www.generalmetals.com



NOT TO SCALE

JOB: _____
 ARCHITECT: _____
 ENGINEER: _____
 CONTRACTOR: _____
 LOCATION: _____

FREE AREA: 75 SQ. INCH

TAG	QTY			