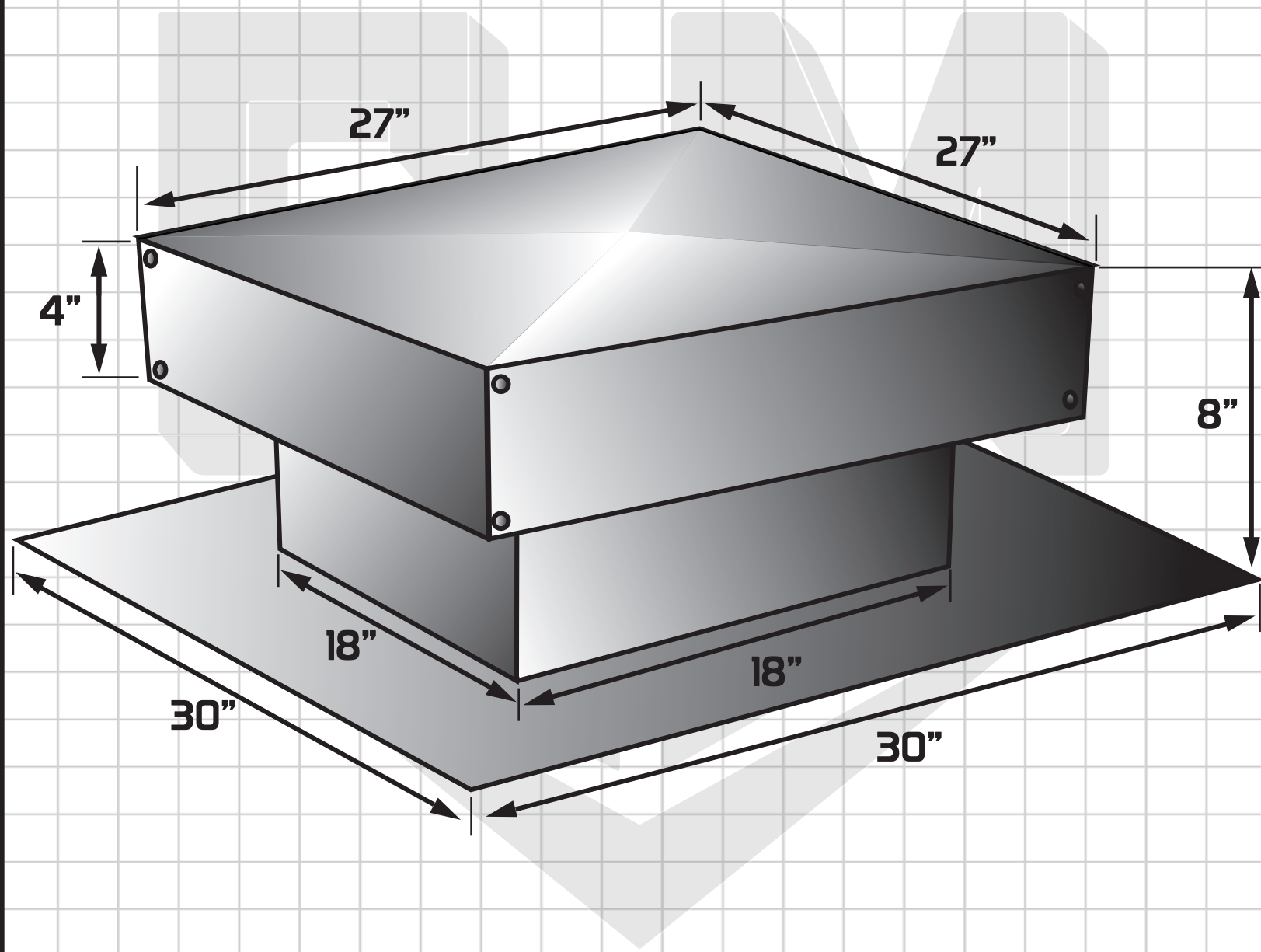


MODEL: Flat Vent Cap
ITEM: FVC 18x18

SUBMITTAL SHEET

GENERAL METALS MFG
 2727 W. WELDON AVE.
 PHOENIX, AZ 85017
 FAX: 602.277.6039
 PHONE: 602.264.4815
 www.generalmetals.com



NOT TO SCALE

JOB: _____
 ARCHITECT: _____
 ENGINEER: _____
 CONTRACTOR: _____
 LOCATION: _____

FREE AREA: 247 SQ. INCHES

TAG	QTY			