

# MODEL EV B-VENT CHIMNEY

## Type B Gas Vent 10" - 30"



ECCO™ is proud to be a member of:



**SMACNA**  
Sheet Metal and Air  
Conditioning Contractors'  
National Association  
[www.smacna.org](http://www.smacna.org)



**HRAI**  
Heating, Refrigeration and  
Air Conditioning  
Institute of Canada  
[www.hrai.ca](http://www.hrai.ca)



**HARDI**  
Heating, Air-conditioning  
& Refrigeration  
Distributors International  
[www.hardinet.org](http://www.hardinet.org)



**ADI**  
Air  
Distribution  
Institute  
[www.steelduct.org](http://www.steelduct.org)



**CME**  
Canadian  
Manufacturers &  
Exporters  
[www.cme-mec.ca](http://www.cme-mec.ca)



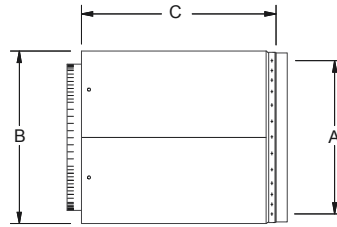
**SPIDA**  
Spiral Duct  
Manufacturers  
Association  
[www.spida.org](http://www.spida.org)



# MODEL EV TYPE B GAS VENT 10" - 30"

## VENT PIPE ADJUSTABLE — VPA

ITEM #	MODEL #	A (")	B (")	C (")	CTN/QTY	WT/100
231026	1018VPA	10	12-1/4	18	*	623
231226	1218VPA	12	14-1/4	18	*	731
241426	1418VPA	14	16-1/4	18	*	839
241626	1618VPA	16	18-1/4	18	*	948
251826	1818VPA	18	20-1/4	18	*	1057
252026	2018VPA	20	22-1/4	18	*	1165
262226	2218VPA	22	24-1/4	18	*	1276
262426	2418VPA	24	26-1/4	18	*	1381
272626	2618VPA	26	28-1/4	18	*	1870
272826	2818VPA	28	30-1/4	18	*	2006
283026	3018VPA	30	32-1/4	18	*	2141

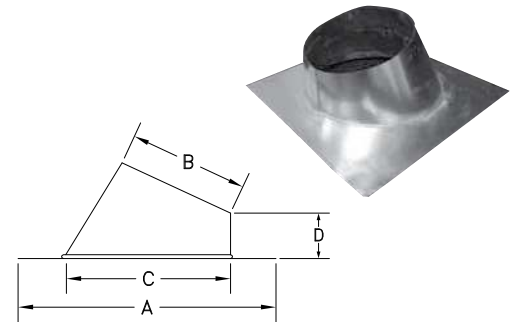


\*Product shipped individually.

**NOTE:** Adjusts from 3-1/2" to 16"

## FLASHINGS — ADJUSTABLE — 1/12 — 7/12 — AF

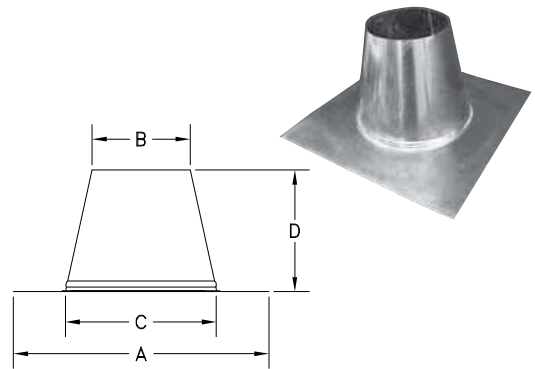
ITEM #	MODEL #	SIZE (")	A (")	B (")	C (")	D (")	CTN/QTY	WT/100
231008	10AF	10	25 × 25	12-1/4	16-1/2	4	*	461
231208	12AF	12	27 × 27	14-1/4	18-7/8	4	*	528
241408	14AF	14	30 × 30	16-1/4	21-1/8	4	*	635
241608	16AF	16	32 × 32	18-1/4	23-1/2	4	*	707
251808	18AF	18	34 × 34	20-1/4	26	4	*	785
252008	20AF	20	36 × 36	22-3/8	28-1/4	4	*	865
262208	22AF	22	39 × 39	24-3/8	30-5/8	4	*	997
262408	24AF	24	41 × 41	26-3/8	32-7/8	4	*	1086



\*Product shipped individually.

## FLASHINGS — FLAT — FF

ITEM #	MODEL #	SIZE (")	A (")	B (")	C (")	D (")	CTN/QTY	WT/100
231009	10FF	10	22 × 22	12-1/4	14	10	*	481
231209	12FF	12	24 × 24	14-1/4	16	10	*	551
241409	14FF	14	26 × 26	16-1/4	18	10	*	627
241609	16FF	16	28 × 28	18-1/4	20	10	*	699
251809	18FF	18	30 × 30	20-1/4	22	10	*	772
252009	20FF	20	32 × 32	22-1/4	24	10	*	847
262209	22FF	22	34 × 34	24-1/4	26	10	*	921
262409	24FF	24	36 × 36	26-1/4	28	10	*	998
272609	26FF	26	38 × 38	28-3/8	30	10	*	1205
272809	28FF	28	40 × 40	30-3/8	32	10	*	1293
283009	30FF	30	42 × 42	32-3/8	34	10	*	1383

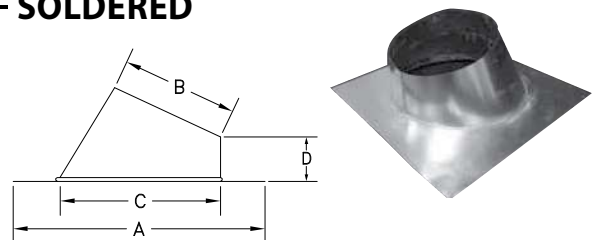


\*Product shipped individually.

**NOTE:** All seams are soldered.

## FLASHINGS — ADJUSTABLE — 1/12 — 7/12 — ARF — SOLDERED

ITEM #	MODEL #	A (")	B (")	C (")	D (")	CTN/QTY	WT/100
231069	10ARF	25 × 25	12-1/4	16-1/2	4	*	461
231269	12ARF	27 × 27	14-1/4	18-7/8	4	*	528
—	14ARF	30 × 30	16-1/4	21-1/8	4	*	635
—	16ARF	32 × 32	18-1/4	23-1/2	4	*	707
—	18ARF	34 × 34	20-1/4	26	4	*	785
—	20ARF	36 × 36	22-3/8	28-1/4	4	*	865
—	22ARF	39 × 39	24-3/8	30-5/8	4	*	997
—	24ARF	41 × 41	26-3/8	32-7/8	4	*	1086



\*Product shipped individually.

We have custom capabilities to manufacture any sizes you may require. Contact factory for special sizes and configurations not listed.

— E.&O.E. — Subject to Change Without Notice — May Not Be Available At All Locations —



[www.eccomfg.com](http://www.eccomfg.com)

**Langley Distribution**

19860 Fraser Highway  
Langley, British Columbia  
Canada V3A 4C9

Phone: 604-530-4151  
Toll Free: 1-877-955-4805  
Fax: 604-533-9335

**Calgary Distribution**

21 – 11150 38th Street, S.E.  
Calgary, Alberta  
Canada T2C 2Z6

Phone: 403-720-0895  
Toll Free: 1-877-955-4815  
Fax: 403-720-0897

**Kent Distribution**

20001 87th Ave. S, Bldg E  
Kent, Washington  
USA 98031

Phone: 253-872-3721  
Toll Free: 1-800-207-6859  
Fax: 253-872-3724