

MODEL EV B-VENT CHIMNEY

Type B Gas Vent 10" - 30"



ECCO™ is proud to be a member of:



SMACNA
Sheet Metal and Air
Conditioning Contractors'
National Association
www.smacna.org



HRAI
Heating, Refrigeration and
Air Conditioning
Institute of Canada
www.hrai.ca



HARDI
Heating, Air-conditioning
& Refrigeration
Distributors International
www.hardinet.org



ADI
Air
Distribution
Institute
www.steelduct.org



CME
Canadian
Manufacturers &
Exporters
www.cme-mec.ca



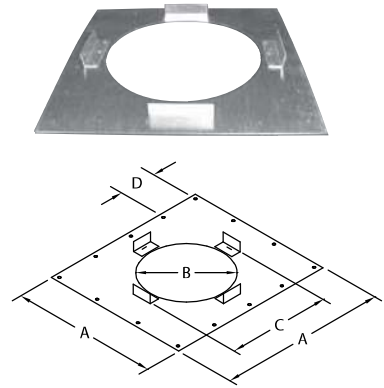
SPIDA
Spiral Duct
Manufacturers
Association
www.spida.org



MODEL EV TYPE B GAS VENT 10" - 30"

SUPPORT PLATES — SP

ITEM #	MODEL #	SIZE (")	A (")	B (")	C (")	D (")	CTN/QTY	WT/100
231017	10SP	10	18	12-1/4	14-1/4 × 14-1/4	4	14	250
231217	12SP	12	20	14-1/4	16-1/4 × 16-1/4	4-1/2	14	302
241417	14SP	14	22	16-1/4	18-1/4 × 18-1/4	5	*	356
241617	16SP	16	24	18-1/4	20-1/4 × 20-1/4	4-1/2	*	412
251817	18SP	18	26	20-1/4	22-1/4 × 22-1/4	5	*	469
252017	20SP	20	28	22-1/4	24-1/4 × 24-1/4	4-1/2	*	527
262217	22SP	22	30	24-1/4	26-1/4 × 26-1/4	5	*	588
262417	24SP	24	32	26-1/4	28-1/4 × 28-1/4	5	*	650

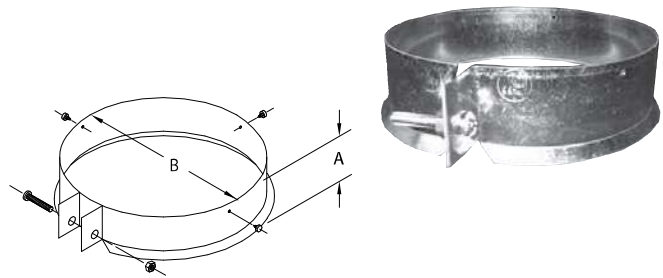


*Product shipped individually.

NOTE: Support Plate and Support Ring required for every 30 feet of vent height.

SUPPORT RINGS — SR

ITEM #	MODEL #	SIZE (")	A (")	B (")	CTN/QTY	WT/100
231018	10SR	10	2	12	14	66
231218	12SR	12	2	14	14	76
241418	14SR	14	2-1/4	16	5/Bndl	104
241618	16SR	16	2-1/4	18	5/Bndl	115
251818	18SR	18	2-1/4	20	5/Bndl	127
252018	20SR	20	2-1/4	22	5/Bndl	138
262218	22SR	22	2-1/4	24	5/Bndl	149
262418	24SR	24	2-1/4	26	5/Bndl	160



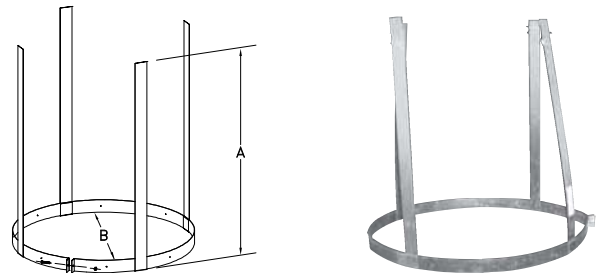
NOTE: Support Plate and Support Ring required for every 30 feet of vent height. Includes Sheet Metal Screws and Assembly Bolt for installation.

SUPPORT ASSEMBLY — SA

ITEM #	MODEL #	SIZE (")	A (")	B (")	CTN/QTY	WT/100
272616	26SA	26	34	28	*	440
272816	28SA	28	34	30	*	452
283016	30SA	30	34	32	*	463

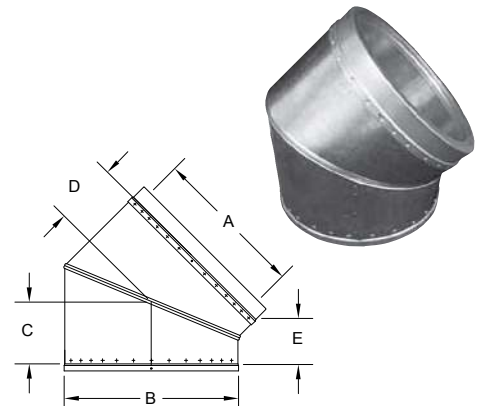
*Product shipped individually.

NOTE: Support Assembly required for every 30 feet of vent height. Includes Sheet Metal Screws and Assembly Bolt for installation.



ELBOWS — 45 DEGREE — 45EL

ITEM #	MODEL #	A (")	B (")	C (")	D (")	E (")	CTN/QTY	WT/100
231013	1045EL	10	12	5	3-7/8	3-1/2	*	447
231213	1245EL	12	14	5-3/8	4-1/4	3-1/2	*	552
241413	1445EL	14	16	5-7/8	4-5/8	3-1/2	*	667
241613	1645EL	16	18	6-1/4	5-1/8	3-1/2	*	795
251813	1845EL	18	20	6-5/8	5-1/2	3-1/2	*	925
252013	2045EL	20	22	7	5-7/8	3-1/2	*	1063
262213	2245EL	22	24	7-1/2	6-3/8	3-1/2	*	1219
262413	2445EL	24	26	7-7/8	6-3/4	3-1/2	*	1372
272613	2645EL	26	28	8-3/8	7-1/8	3-1/2	*	1971
272813	2845EL	28	30	8-3/4	7-5/8	3-1/2	*	2199
283013	3045EL	30	32	9-1/8	8	3-1/2	*	2446



*Product shipped individually.

We have custom capabilities to manufacture any sizes you may require. Contact factory for special sizes and configurations not listed.

-E.&O.E. - Subject to Change Without Notice - May Not Be Available At All Locations -



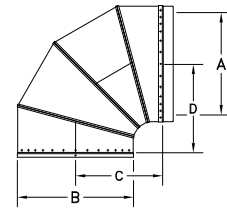
MODEL EV TYPE B GAS VENT 10" - 30"

ELBOWS — 90 DEGREE — 90EL

ITEM #	MODEL #	A (")	B (")	C (")	D (")	CTN/QTY	WT/100
231014	1090EL	10	12	10-3/4	11-1/4	*	736
231214	1290EL	12	14	11-1/4	11-3/4	*	898

*Product shipped individually.

NOTE: For sizes 14" to 24" use two 45 degree elbows to make 90 degrees.

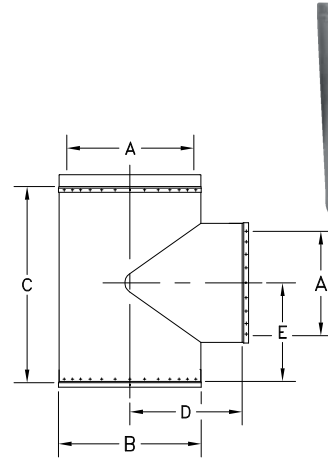


TEES — DOUBLE WALL — DWT

ITEM #	MODEL #	A (")	B (")	C (")	D (")	E (")	CTN/QTY	WT/100
231012	10DWT	10	12	18	9	9	*	697
231212	12DWT	12	14	20	10	10	*	869
241412	14DWT	14	16	22	11	11	*	1057
241612	16DWT	16	18	24	12	12	*	1267
251812	18DWT	18	20	26	13	13	*	1486
252012	20DWT	20	22	28	14	14	*	1697
262212	22DWT	22	24	30	15	15	*	1951
262412	24DWT	24	26	32	16	16	*	2203
272612	26DWT	26	28	34	17	17	*	3475
272812	28DWT	28	30	36	18	18	*	3886
283012	30DWT	30	32	38	19	19	*	4326

*Product shipped individually.

NOTE: Dimension 'A' may vary according to customer requirements. Dimension 'C' varies with Dimension 'A'. Factory installed Tee Cap attached to bottom of Tee.

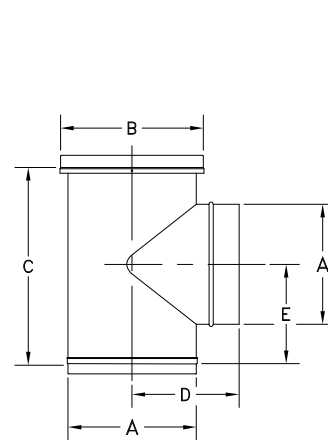


TEES — SINGLE WALL — SWT

ITEM #	MODEL #	A (")	B (")	C (")	D (")	E (")	CTN/QTY	WT/100
231011	10SWT	10	12	16	8	8	*	656
231211	12SWT	12	14	18	9	9	*	852
241411	14SWT	14	16	20	10	10	*	1070
241611	16SWT	16	18	22	11	11	*	1729
251811	18SWT	18	20	24	12	12	*	2066
252011	20SWT	20	22	26	13	13	*	2427
262211	22SWT	22	24	28	14	14	*	2826
262411	24SWT	24	26	30	15	15	*	3256
-	26SWT	26	28	32	16	16	-	-
-	28SWT	28	30	34	17	17	-	-
-	30SWT	30	32	36	18	18	-	-

*Product shipped individually.

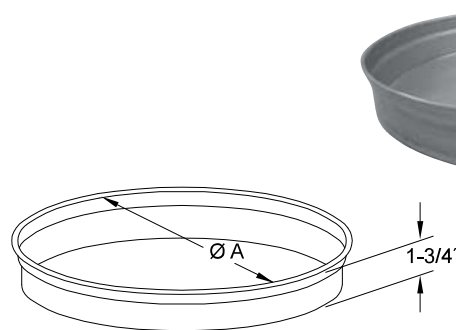
NOTE: Dimension 'A' may vary according to customer requirements. Dimension 'C' varies with Dimension 'A'. Factory installed Tee Cap attached to bottom of Tee.



SPUN TEE CAPS — TC

ITEM #	MODEL #	A (")	CTN/QTY	WT/100
571026	10TC	10	20	101
571226	12TC	12	10	140
571426	14TC	14	10	184
571626	16TC	16	10	226
571826	18TC	18	10	270
572026	20TC	20	*	313
572226	22TC	22	*	370
572426	24TC	24	*	435
572626	26TC	26	*	490
572826	28TC	28	*	580
573026	30TC	30	*	655

*Product shipped individually.



We have custom capabilities to manufacture any sizes you may require. Contact factory for special sizes and configurations not listed.

- E.&O.E. - Subject to Change Without Notice - May Not Be Available At All Locations -



www.eccomfg.com

Langley Distribution

19860 Fraser Highway
Langley, British Columbia
Canada V3A 4C9

Phone: 604-530-4151
Toll Free: 1-877-955-4805
Fax: 604-533-9335

Calgary Distribution

21 – 11150 38th Street, S.E.
Calgary, Alberta
Canada T2C 2Z6

Phone: 403-720-0895
Toll Free: 1-877-955-4815
Fax: 403-720-0897

Kent Distribution

20001 87th Ave. S, Bldg E
Kent, Washington
USA 98031

Phone: 253-872-3721
Toll Free: 1-800-207-6859
Fax: 253-872-3724