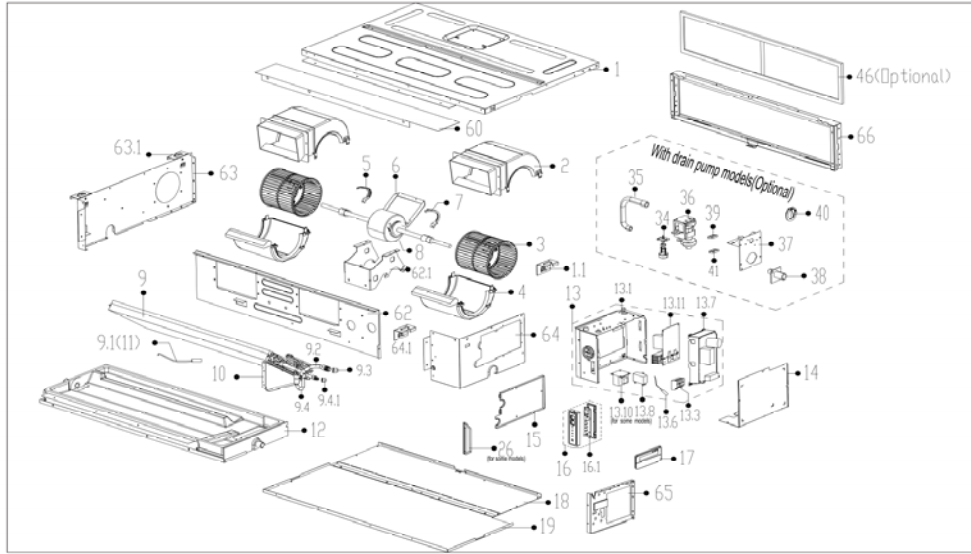


Midea Exploded View

MEU-48MPL2



EX_ID	Spare Parts Code	Part Name(EN)	Qty.
1	1222300008868	Chassis subassembly	1
3	12200101000193	centrifuge fan assembly	2
5	12222500000253	Fan motor axes clamp (left)	1
6	12223000006639	Fan motor fixing board	1
7	12222500000255	Fan motor axes clamp (right)	1
8	11002015003861	Brushless DC Motor	1
9	15823000A03236	Evaporator assembly	1
9.1	11201007000136	Pipe Temperature Sensor	1
9.1	11201007000266	Pipe Temperature Sensor	1
9.2	15123000009807	Evaporator outlet pipe subassembly	1
9.3	15500404000005	Pipe Nut	1
9.4	15123000009667	Evaporator inlet pipe subassembly	1
9.4.1	15500406000010	Copper nut	1
9.5	15500209000002	detection valve	1
10	12223000008872	Evaporator right support board subassembly	1
11	12223000008874	Water collector subassembly	1
12	12223000008867	Water collector assembly	1
13	17223000A03757	E-Parts Box assembly	1
13.1	12223000008127	Electronic control box	1
13.3	17400401000085	Terminal	1
13.10	17400306000070	Reactor	1
13.11	17122000030568	Inverter control board subassembly	1
13.12	1712220003159	Control board ass'y, E-heater	1
13.6	11201007000283	Room Temperature Sensor	1
13.7	17123000A01740	Duct main control board subassembly	1
14	12223000009107	Cover of electronic control box subassembly	1
15	12223000A03149	Pipe clamp board subassembly	1
16	17223000000003	Duct display board subassembly	1
16.1	17123000000096	Duct main control board subassembly	1
17	17317100A08725	Wired controller	1
18	12223000008871	Rear cover subassembly	1
19	12223000008859	Top cover subassembly	1
35	12623000000003	Rubber tube	1
36	17400802000021	Motor subassembly	1
37	12223000A03150	Exhaust pump subassembly	1
38	12100510000021	Drain pipe	1
39	12622500000004	Drain pump rubber washer	1
41	12622500000003	Drain pump rubber washer	1
46	12123000A00298	Air filter	1
54	12011600A00310	Accessory kit	1
60	12223000008860	Front beam subassembly	1

62	1222300008861	Middle beam subassembly	1
63	1222300008870	Left clapboard subassembly	1
64	1222300008869	Right clapboard subassembly	1
65	1222300008647	Right side plate	1
66	12223000A03132	Right clapboard subassembly	1