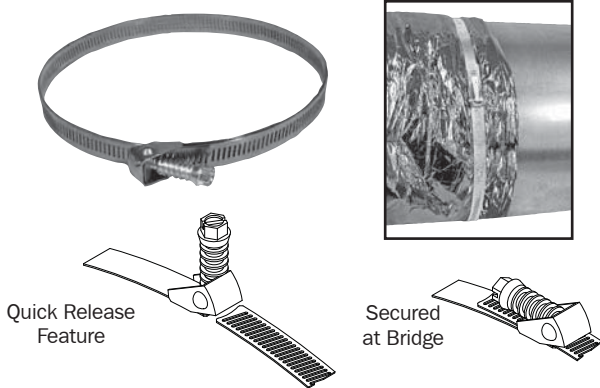


STAINLESS STEEL DYNA-CLAMPS™

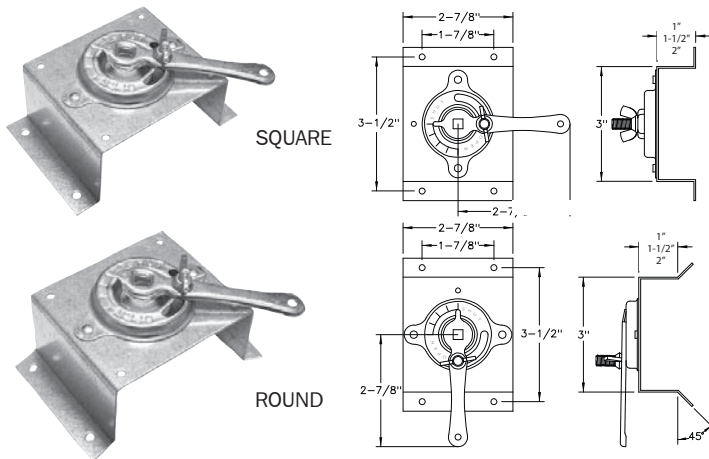
The Dyna-Clamp is an efficient way to secure flex or rigid round duct connections. The stainless steel band can withstand up to 60 PSI, as well as extreme temperature conditions. The band is secured in place at the bridge by a slotted hex head screw. This zinc plated carbon steel screw can be flipped up away from the band to offer a quick release when adjustments are needed. Dyna-Clamps are available in stock sizes ranging from a 7" diameter to 20". Two or more clamps can also be connected together to accommodate duct diameters over 20".



DYNA-CLAMPS				
ITEM #	MODEL	MAXIMUM DIAMETER	MINIMUM DIAMETER	OVERALL LENGTH
7012	DT7WD	7"	1.75"	23.5"
7007	DT8WD	8"	1.75"	28.25"
7008	DT10WD	10"	1.75"	33"
7009	DT12WD	12"	1.75"	40"
7010	DT15WD	15"	1.75"	48.75"
7011	DT16WD	16"	1.75"	52.5"
7013	DT18WD	18"	1.75"	57.31"
7044	DT20WD	20"	1.75"	63.58"

STAINLESS STEEL HARDWARE

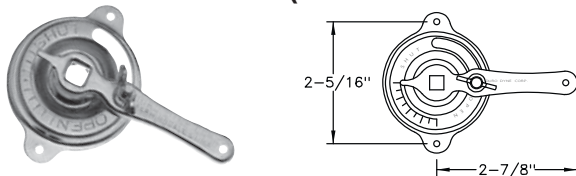
STANDOFF 3/8" DIAL REGULATOR (FOR DAMPERS UP TO 20")



300 SERIES FOR SQUARE DUCT			
ITEM#	MODEL	SHAFT SIZE	STAND HEIGHT
7290	KR3SS-100	3/8" sq.	1"
7292	KR3SS-150	3/8" sq.	1-1/2"
7294	KR3SS-200	3/8" sq.	2"
Packed 10 Per Carton.			

300 SERIES FOR ROUND DUCT			
ITEM#	MODEL	SHAFT SIZE	STAND HEIGHT
7291	KR3SS-100R	3/8" sq.	1"
7293	KR3SS-150R	3/8" sq.	1-1/2"
7295	KR3SS-200R	3/8" sq.	2"
Packed 10 Per Carton.			

3/8" DIAL REGULATOR (FOR DAMPERS UP TO 20")



3/8" DIAL REGULATOR		
ITEM#	MODEL	DESCRIPTION
8272	KR3SS	3/8" Stainless Steel dial regulator only
Packed 10 Per Carton		

1/2" SPEC SEAL™ UNIVERSAL REGULATOR SET (FOR DAMPERS UP TO 30")

The Spec-Seal Regulator Set utilizes a special rubber seal for applications up to 500°F constant temperature. It eliminates leakage and rattle via the Shaft Loc Mechanism in high pressure systems. The handle's unique design utilizes a highly-visible orange plastic cover showing the damper position. This kit includes 1/2" square bearing shafts. Individual parts available upon request.

Set Consists of:

- Regulator
- 2 Rubber Seals
- 2 Metal Washers
- 2 End Bearings
- End Bearing Support

SPEC-SEAL™		
ITEM#	MODEL	BEARING TYPE
8301	AL12SS	1/2" Square Stainless
Quantity per carton: 10 sets		

