

INSTALLATION INSTRUCTIONS FOR THE DBX1000M 4" Dryer Vent Box 22 GAUGE METAL DRYER VENT BOX/TRIM RING

The DBX1000M-4 is 9 3/4" X 17" X 3 1/2" deep.

The DBX1000M-4 can be installed in either 2"x 4" or 2"x 6" wood or 3 5/8" or 6" metal framing.

It is a 22 gauge metal dryer vent box with a 25 gauge snap-on trim ring. It can be installed in 16" or 24" o.c. framing. The DBX1000M-4 is powder coated.

For optimum results install the Construction Solutions DBX1000M-4 for up or down venting in 2"x 4" or 2"x 6" wood or 3 5/8" or 6" metal framed walls as follows.



BOX INSTALLATION – 16" or 24" O.C. (on center) SPACING

- ❶ Orient box to match desired venting direction. Allow a minimum of 4" vent pipe to extend into the box.
- ❷ If gas line is to be installed, insert into knockout provided.
- ❸ Slide box into position taking care to correctly align vent pipe and gas pipe (if present).
- ❹ Set box so that the bottom is 2 5/8" above the floor to allow clearance for the trim ring. If the dryer is a stackable or on a pedestal the box can be properly aligned with the dryer exhaust.
- ❺ Attach the box directly to either framing member.
- ❻ Screws or nails (1 1/4" in length) to attach the DBX1000M to framing.

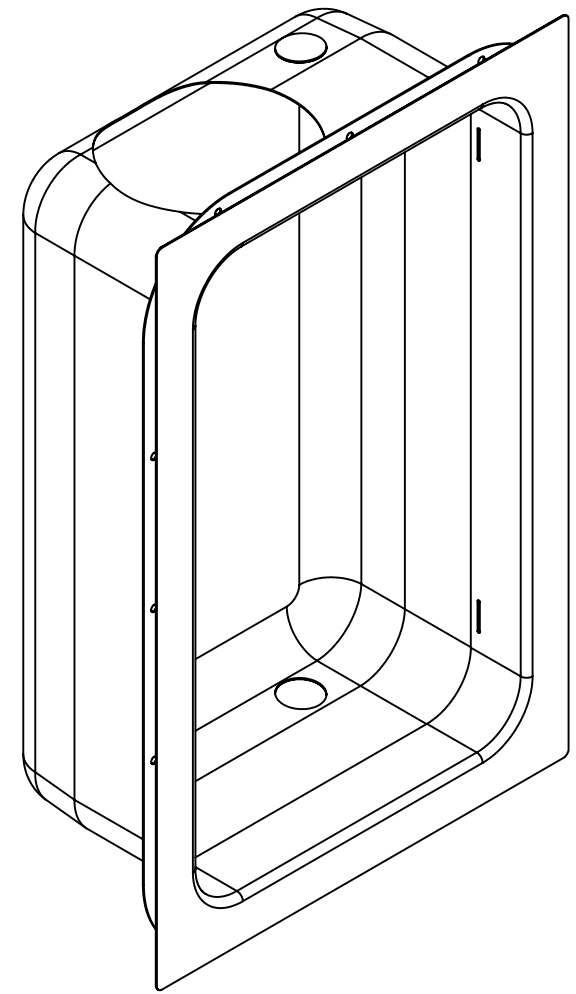
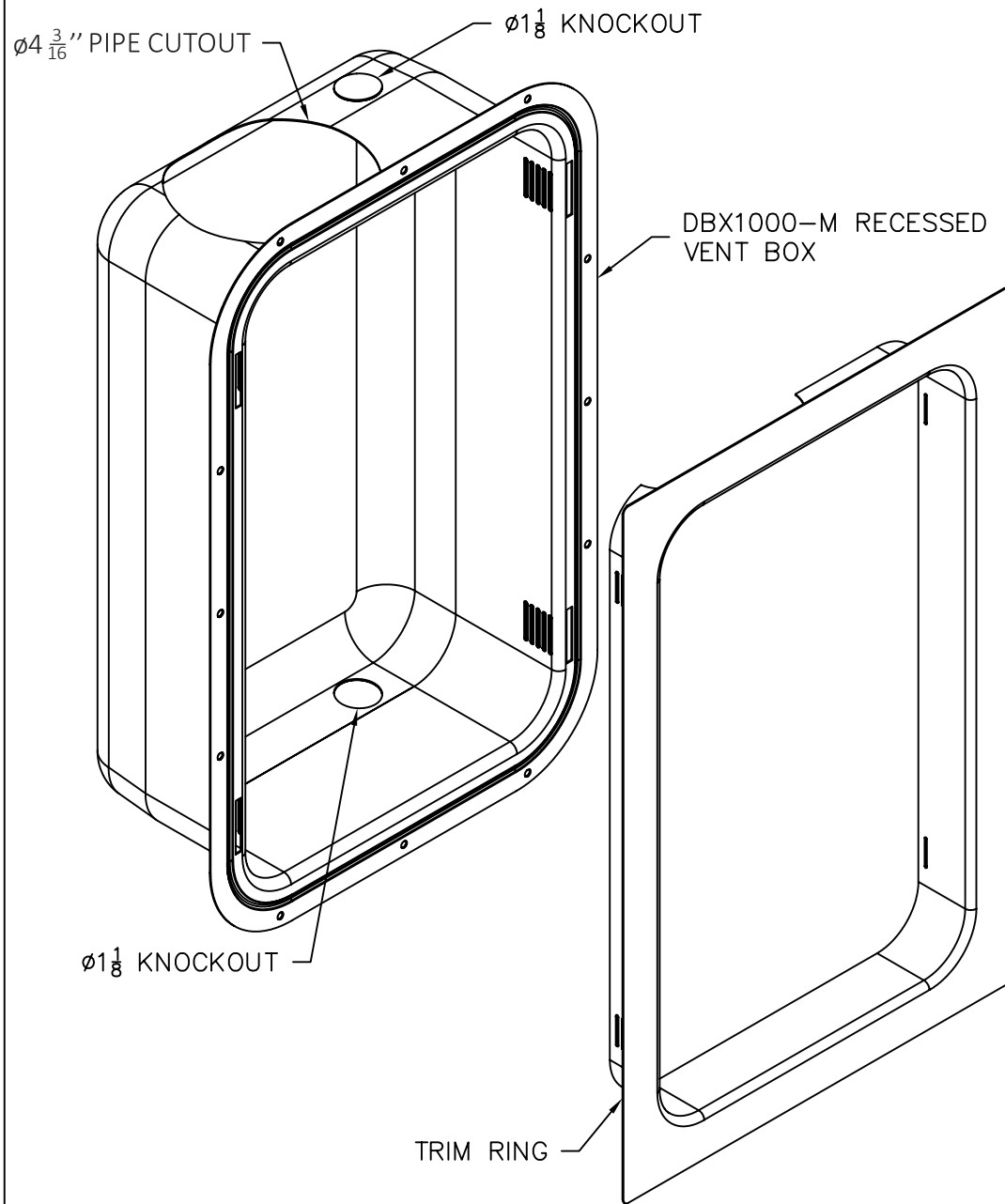
INSTALLATION INSTRUCTIONS FOR A 1 HOUR FIRE WALL REQUIREMENT

- ❼ To achieve a penetration firestop system rating (one hour equal F&T) 2"x 6" (50x152mm) wood framing 16" o.c. (406mm) is required. The DBX1000M-4 is to be installed in accordance with the QAI assembly description. Insulation to be 2" (50mm) mineral wool thermal insulation in compliance with ASTM C553 Type VII nominal density minimum 4.0 lb/ft³ (64 kg/m³) installed in back of the DBX1000M-4 dryer vent box. One single layer of 5/8" Type X gypsum board complying to ASTM 1396 fastened using # 6x 1 5/8" coarse thread drywall screws spaced 8" o.c. to the face of the framing with joints taped and compound applied. Tape embedded in the first layer. Apply compound to screw heads. A nominal 2" x 4" (50x100mm) stud is installed into the stud cavity 10 3/4" (273 mm) from a 2" x 6" (50x152mm) stud. The dryer vent box is fastened to the 2" x 4" and the 2" x 6" studs with wood screws. Where the steel exhaust pipe is inserted into the vent box it shall be caulked with PFP 4800DW caulking at the interface (PFP 4800DW meets ASTM E814, CAN/ULC S115). The vent pipe is 4" (101mm), 26 gauge galvanized steel.
- ❽ Trim ring dimension 9 7/8" X 16 7/8" X 1 5/8", 25 gauge galvanized steel.



See QAI Report # B1072-1
 Fire Test of Penetration Firestop Systems

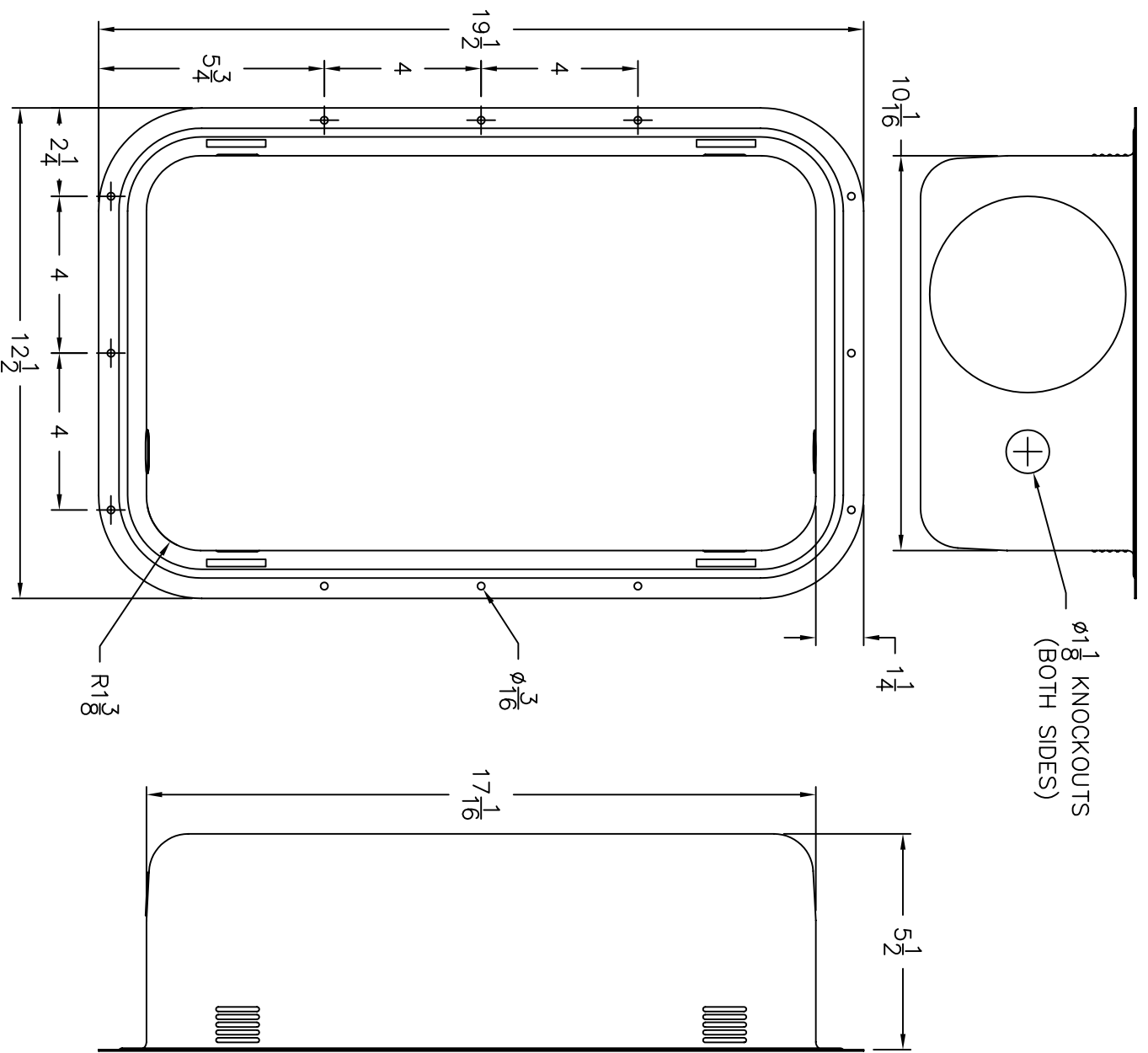
Ratings (see QAI directory B1072-1)	ASTM E 814	CAN/ULC S115
F Rating	1 Hour	1 Hour
T Rating	1 Hour	1 Hour
H Rating	N/A	1 Hour



DBX1000M 6"
 DRYER VENT BOX
 ASSEMBLY VIEW

CONSTRUCTION
 SOLUTIONS

DBX1000M 6" DRYER VENT BOX
 WITH SNAP ON TRIM RING

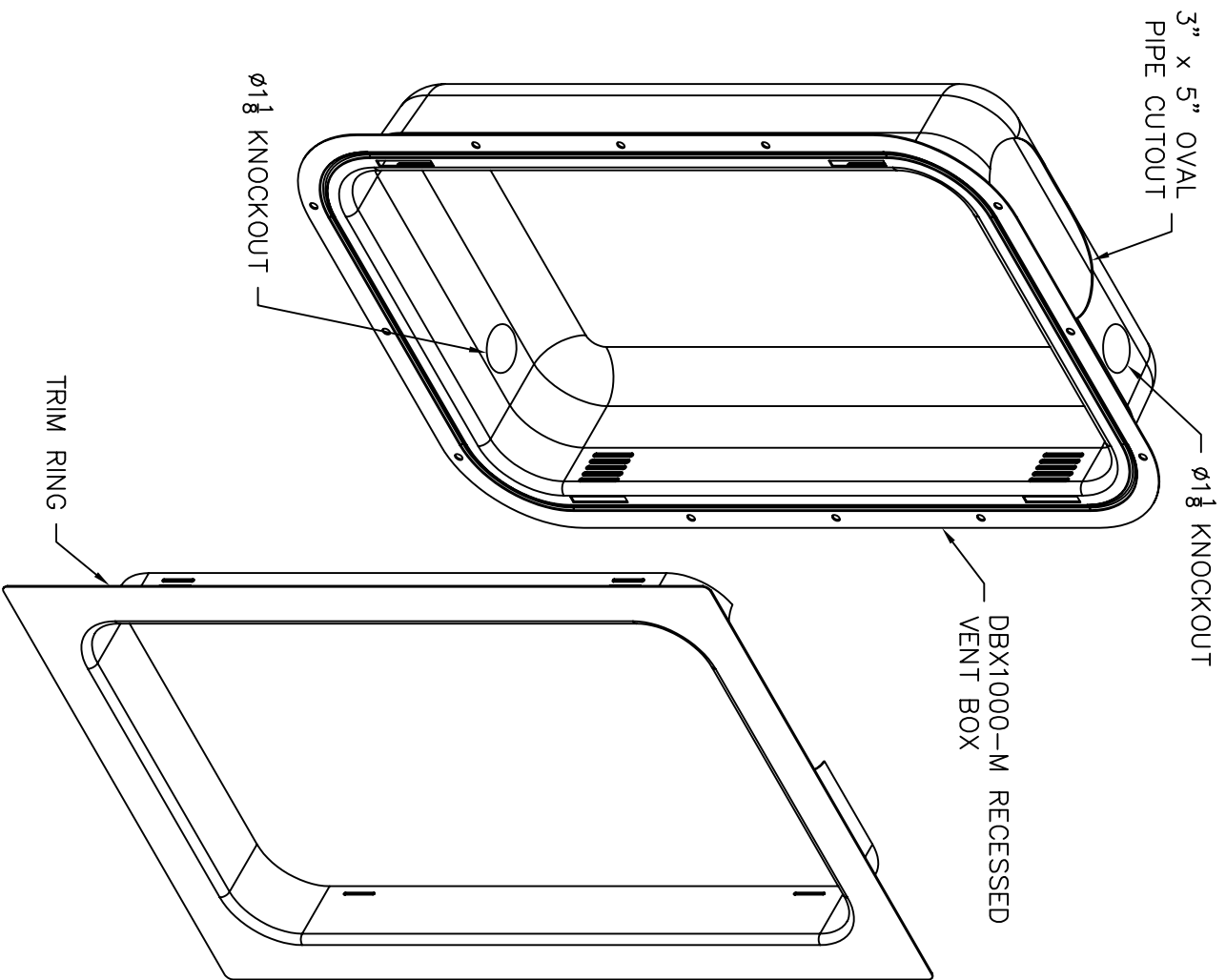


Ø1 1/8" KNOCKOUTS
(BOTH SIDES)

DBX1000M
6" DRYER
VENT BOX
DIMENSION
VIEW

CONSTRUCTION
SOLUTIONS

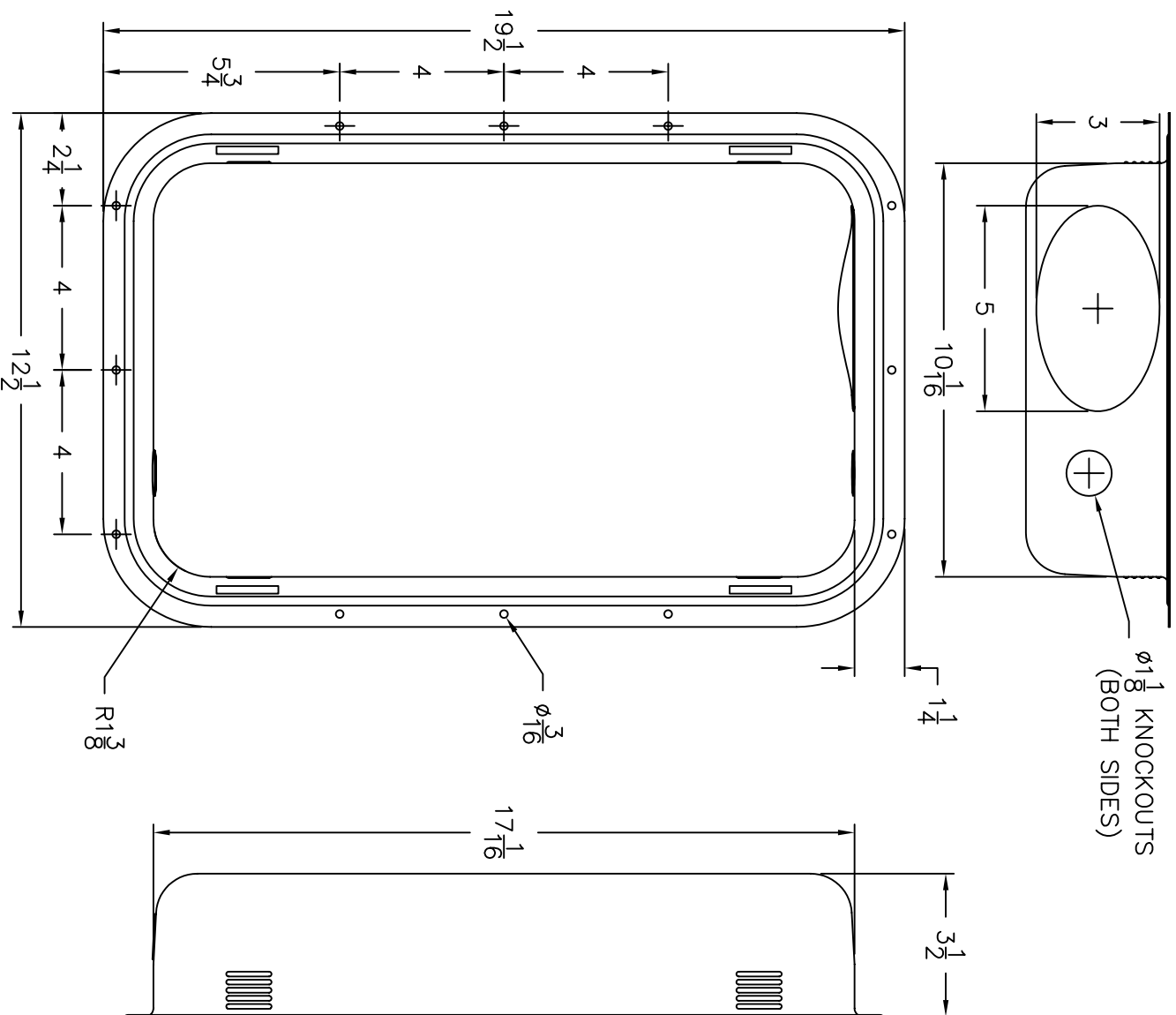
DBX1000-M 6"
DRYER VENT BOX
10-5-07



DBX1000M **4**
ASSEMBLY VIEW

CONSTRUCTION
SOLUTIONS

DBX1000-M
DIMENSION VIEW
10-5-07



DBX1000M4 BOX
DIMENSION VIEW

CONSTRUCTION
SOLUTIONS

DBX1000-M
DIMENSION VIEW
10-5-07