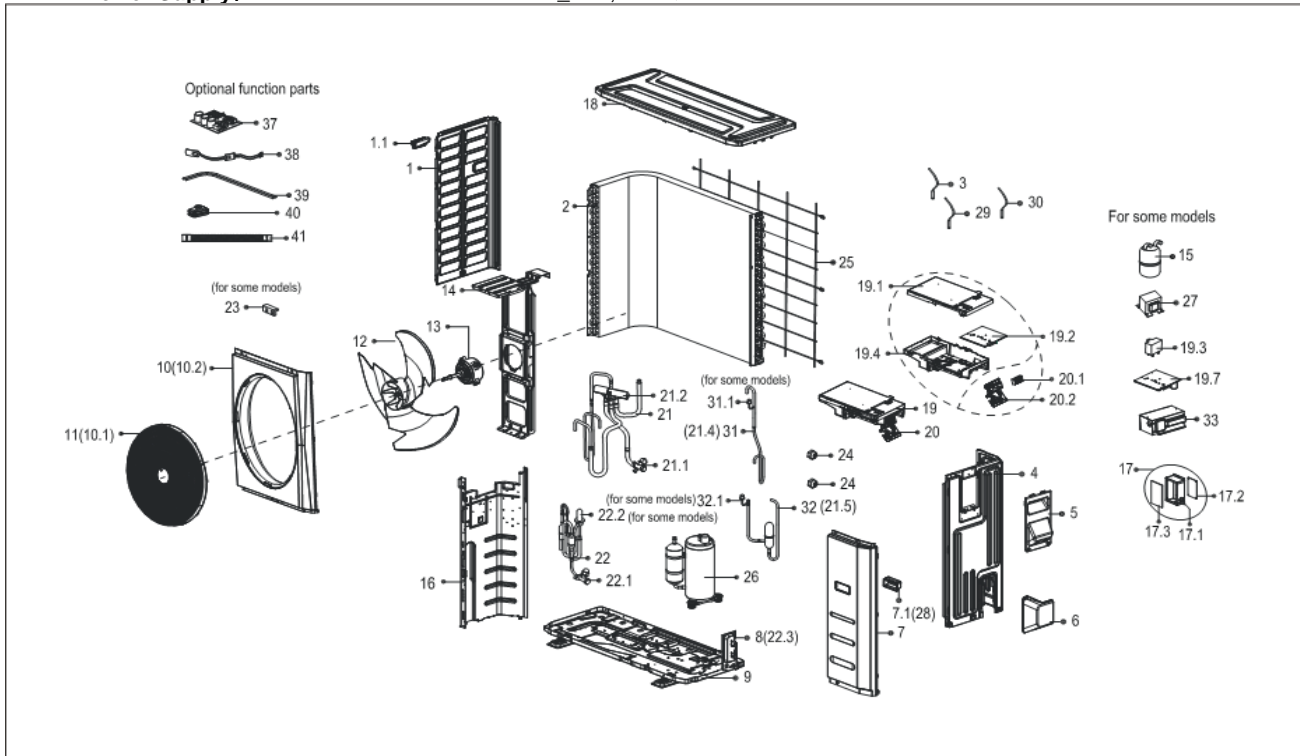


Midea RAC Exploded View

MCHS-30PSH2

Power Supply:

208And230V_1Ph,FREQ



No.	Part Name	Quantity	Historic Part#	Modern Part#
1	Left side plate assembly of cabinet	1	#N/A	12222000006665
1.1	Small handle	1	201148100137	12100701000033
2	Condenser assembly	1	#N/A	15822000A04832
3	Pipe temperature sensor assembly	1	202301300111	11201007000006
4	Rear right clapboard assembly	1	#N/A	12222000006664
5	Big handle	1	#N/A	12222000004019
6	Water collector	1	201148300277	12122200002695
7	Front right clapboard assembly	1	201247500021	12222500000540
7.1	Handle	1	201148300287	12100702000038
9	Chassis assembly	1	#N/A	12222000004018
10	Front panel	1	#N/A	12222000005984
11	Air outlet grille	1	#N/A	12222000004017
12	Axial flow fan	1	201100300532	12100105000084
13	Fan motor	1	202400310139	11002015000247
14	Supporter assembly of fan motor	1	#N/A	12222000005162
16	Partition board assembly	1	201248300341	12222200001158
18	Top cover assembly	1	#N/A	12222500000587
19	Electronic control box assembly	1	#N/A	17222000A16189
19.1	Cover of electronic control box	1	201148300284	12122200002719
19.2	Outdoor main control board assembly	1	#N/A	17122000A13467
19.4	Electronic installing box	1	201148300283	12122200002715
19.7	Inverter control board assembly	1	#N/A	17122000015997
20	Terminal board assembly	1	#N/A	17222000014908
20.1	Wire joint	1	202301400556	17400401000037
20.2	Terminal board	1	201248300339	12222200001476

21	4-ways valve assembly	1	#N/A	15422000004892
21.1	Gas valve	1	201600720398	15500204000025
21.2	4-ways valve	1	#N/A	15500216000361
21.4	Suction assembly	1	#N/A	15122000010254
21.5	Discharge assembly	1	#N/A	15122000010256
22	liquid valve assembly	1	#N/A	15422000008653
22.1	Liquid valve	1	201600700106	15500204000021
22.2	Electronic expansion valve	1	#N/A	15500213000265
22.3	Valve plate	1	#N/A	12222200002110
24	Copper nut	1	201600320003	15500406000003
24	Copper nut	1	201600320001	15500406000010
25	Rear net	1	#N/A	12222000006604
26	Compressor	1	#N/A	11103020000319
29	Discharge temperature sensor assembly	1	202301310068	11201007000157
30	Ambient temperature sensor assembly	1	202301300476	11201007000039
38	Crankcase electric heater	1	#N/A	17402001000119
39	Electric heater of chassis	1	#N/A	17402002000043