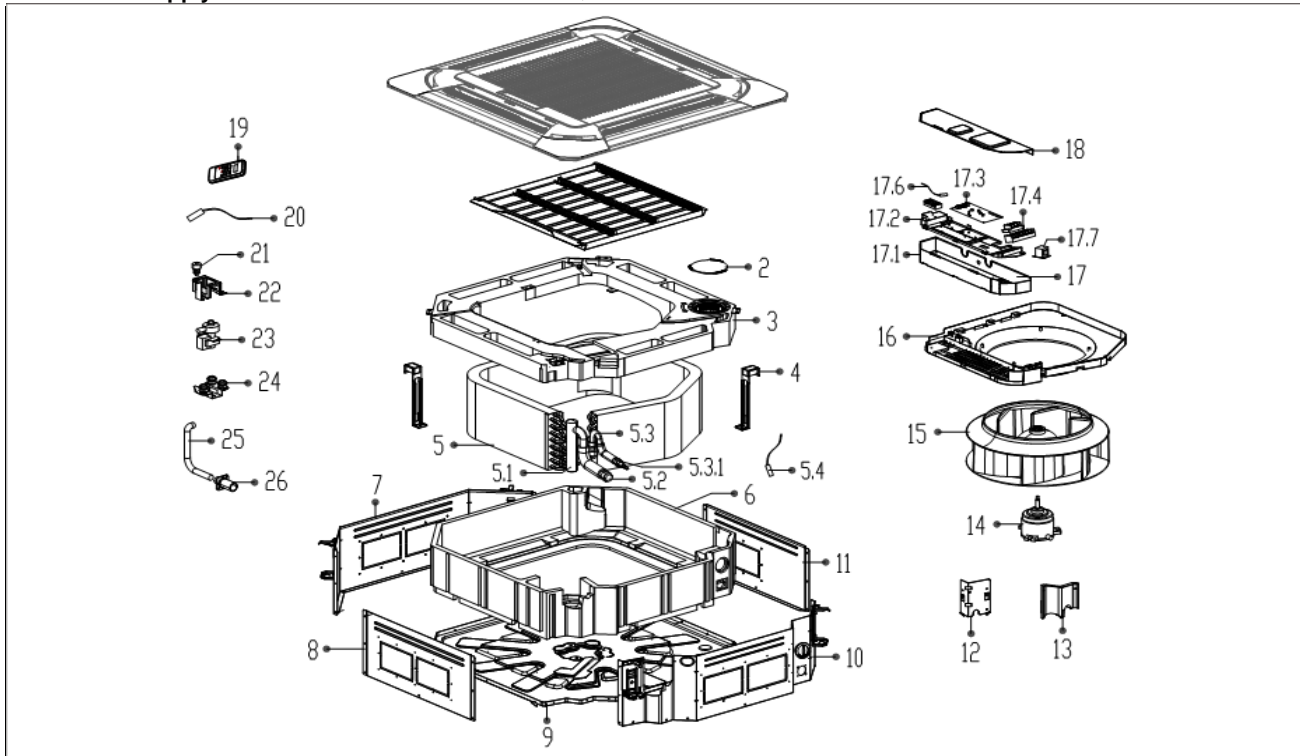


Midea RAC Exploded View

MEHSU-36CSC2

Power Supply:

208_230V_1Ph,FREQUE



No.	Part Name	Quantity	Historic Part#	Modern Part#
2	Cover	1	201142790001	12122500000025
3	Foam tray assembly for condenser water	1	202242790002	12822500000059
4	Evaporator fixing hanger	2	201242890006	12222500000089
5	Evaporator assembly	1	2015428A0038	15822500A00064
5.1	Output pipe assembly	1	201642890046	15122500000232
5.2	Copper nut	1	201600320003	15500406000003
5.3	Input pipe assembly	1	201642890048	15122500000346
5.3.1	Copper nut	1	201600320001	15500406000010
5.4	Pipe temperature sensor assembly	1	202440500004	11201007000136
6	Base foam assembly	1	202242790001	12822500000015
7	Board assembly III	1	201242790007	12222500000144
8	Board assembly I	1	201242790004	12222500000230
9	Chassis assembly	1	201242590012	12222500000122
10	Board assembly II	1	201242790009	12222500000137
11	Board assembly IV	1	201242790003	12222500000241
12	Evaporator fixing board	1	201242790011	12222500000105
13	Pipe fixing board assembly	1	201142790002	12122500000331
14	Asynchronous motor	1	202400300529	11002015000281
15	Fan assembly	1	201100100846	12100103000096
16	Ventilation assembly	1	201142790004	12122500000420
17	Electronic control box assembly	1	203342790065	17222500000322
17.1	Electronic control box	1	201242590004	12222500000119
17.2	Insulation plate	1	201142490005	12122500000029
17.3	Main control board assembly	1	201342790071	17122500000697
17.4	Wire joint	1	202301400256	17400401000075

17.6	Ambient temperature sensor assembly	1	202301300836	11201007000283
17.7	Reactance	1	202301000950	17400306000070
18	Cover of electronic control box I	1	201242590023	12222500000162
19	Remote controller	1	#N/A	17317000A05205
20	Pipe temperature sensor	1	202301300804	11201007000266
21	Water level sensor assembly	1	202301310051	11201005000006
22	Water Pump installation bracket assembly	1	#N/A	12222500001212
23	Drain pump	1	202400600203	17400802000012
24	Pump rubber washer	3	202742000002	12622500000006
25	Drain pipe	1	202742590002	12622500000013
26	Water pipe	1	201142500032	121005090000068
36	Bracket of remote Controller	1	2011550A4895	12117000A01962
41	Accessory kit	1	202842500011	12022500000002
	Wired controller (120G2)		#N/A	17317100A06365