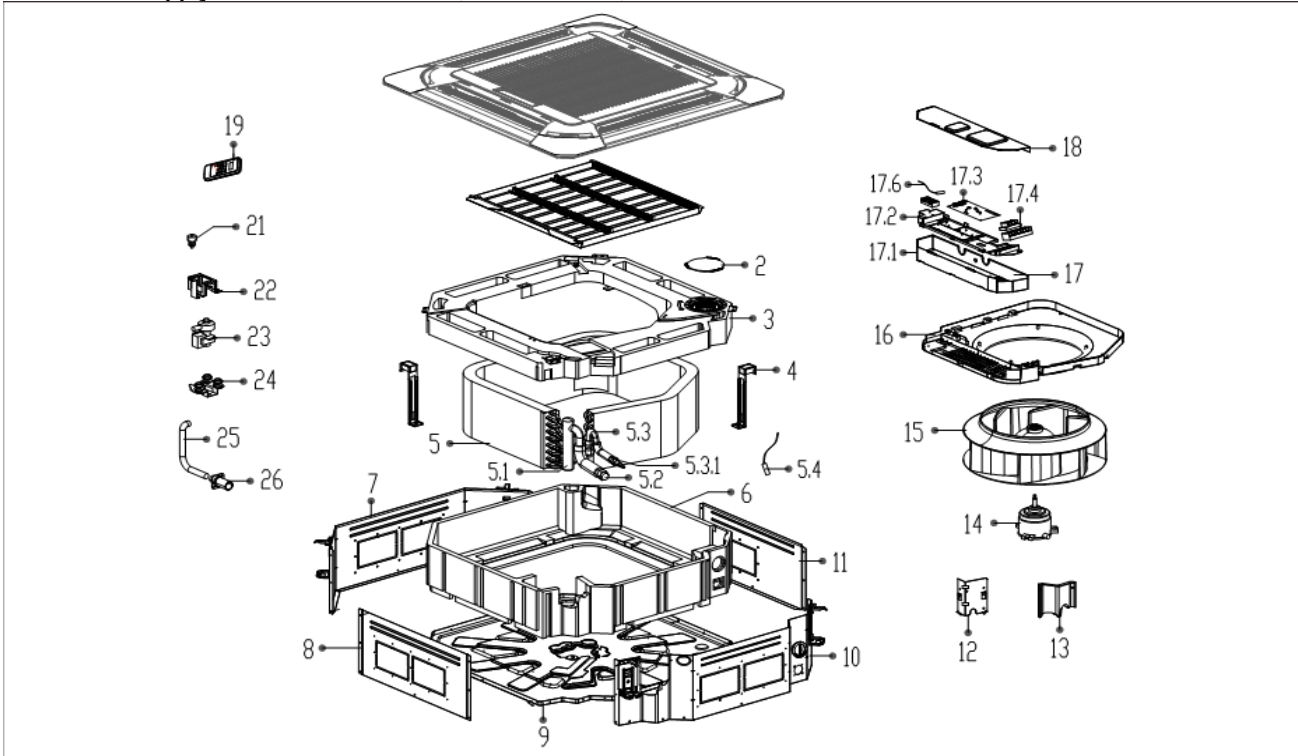


Midea RAC Exploded View

MEHSU-24CHC2

Power Supply:

null,208_230V_1Ph,FREC



| No. | Part Name | Quantity | Historic Part# | Modern Part# |
|-------|--|----------|----------------|-----------------|
| 2 | Cover | 1 | 201142790001 | 12122500000025 |
| 3 | Foam tray assembly for condenser water | 1 | 202242590001 | 12822500000066 |
| 4 | Evaporator fixing hanger | 2 | 201242590019 | 12222500000084 |
| 5 | Evaporator assembly | 1 | 2015425A0022 | 15822500A00084 |
| 5.1 | Output pipe assembly | 1 | 201642590050 | 151225000000242 |
| 5.2 | Copper nut | 1 | 201600320003 | 15500406000003 |
| 5.3 | Input pipe assembly | 1 | 201642590052 | 151225000000276 |
| 5.3.1 | Copper nut | 1 | 201600320001 | 15500406000010 |
| 5.4 | Pipe temperature sensor assembly | 1 | 202440500004 | 11201007000136 |
| 5.4 | Pipe temperature sensor assembly | 1 | 202301300804 | 112010070000266 |
| 6 | Base foam assembly | 1 | 202242590002 | 12822500000014 |
| 7 | Board assembly III | 1 | 201242590015 | 122225000000159 |
| 8 | Board assembly I | 1 | 201242590016 | 122225000000232 |
| 9 | Chassis assembly | 1 | 201242590012 | 122225000000122 |
| 10 | Board assembly II | 1 | 201242590014 | 122225000000135 |
| 11 | Board assembly IV | 1 | 201242590013 | 122225000000238 |
| 12 | Evaporator fixing board | 1 | 201242590011 | 122225000000106 |
| 13 | Pipe fixing board assembly | 1 | 201142790002 | 121225000000331 |
| 14 | Asynchronous motor | 1 | 202400300059 | 11002015000173 |
| 15 | Fan assembly | 1 | 201100100858 | 12100103000040 |
| 16 | Ventilation assembly | 1 | 201142590006 | 121225000000591 |
| 17 | Electronic control box assembly | 1 | 203342590057 | 172225000000103 |
| 17.1 | Electronic control box | 1 | 201242590004 | 122225000000119 |
| 17.2 | Insulation plate | 1 | 201142490005 | 121225000000029 |
| 17.3 | Main control board assembly | 1 | 201342591539 | 171225000000342 |

| | | | | |
|------|--|---|--------------|----------------|
| 17.4 | Wire joint | 1 | 202301400256 | 17400401000075 |
| 17.6 | Ambient temperature sensor assembly | 1 | 202301300836 | 11201007000283 |
| 18 | Cover of electronic control box I | 1 | 201242590023 | 12222500000162 |
| 19 | Remote controller | 1 | #N/A | 17317000A05205 |
| 21 | Water level sensor assembly | 1 | 202301310051 | 11201005000006 |
| 22 | Water Pump installation bracket assembly | 1 | #N/A | 12222500001212 |
| 23 | Drain pump | 1 | 202400600203 | 17400802000012 |
| 24 | Pump rubber washer | 3 | 202742000002 | 12622500000006 |
| 25 | Drain pipe | 1 | 202742590002 | 12622500000013 |
| 26 | Water pipe | 1 | 201142500032 | 12100509000068 |
| 36 | Bracket of remote Controller | 1 | 2011550A4895 | 12117000A01962 |
| 41 | Accessory kit | 1 | 202842500011 | 12022500000002 |
| | Wired controller (120G2) | | #N/A | 17317100A06365 |