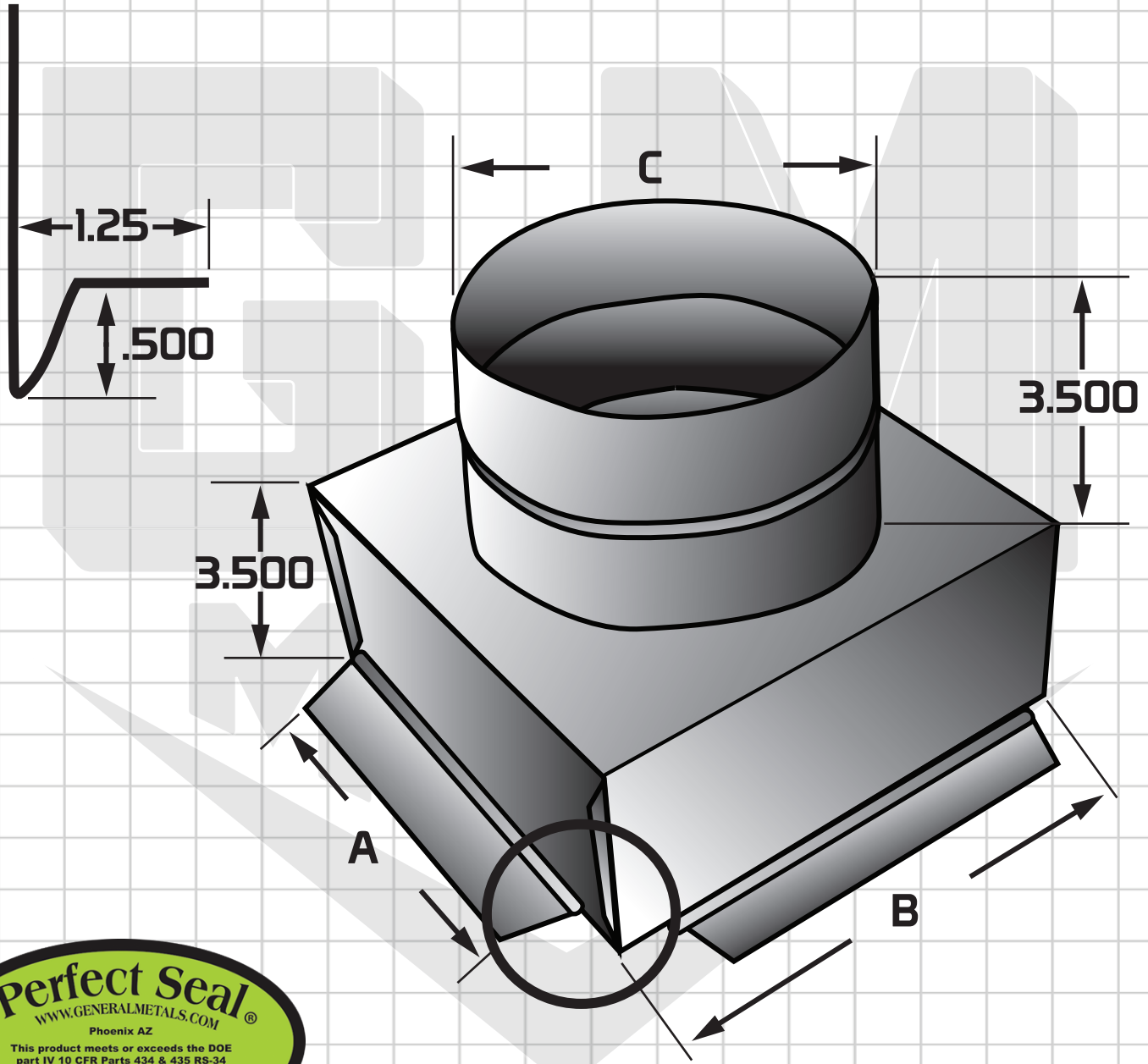


**MODEL:** Ceiling Box  
**ITEM:** CB XX<sup>A</sup> XX<sup>B</sup> XX<sup>C</sup>

# SUBMITTAL SHEET

GENERAL METALS MFG  
 2727 W, WELDON AVE.  
 PHOENIX, AZ 85017  
 FAX: 602.277.6039  
 PHONE: 602.264.4815  
 www.generalmetals.com

**Perfect Seal**  
 www.generalmetals.com  
 Phoenix AZ

This product meets or exceeds the DOE part IV 10 CFR Parts 434 & 435 RS-34 Specifically CFR 403.2.9.3 Seal Class C and RS-35 CFR 434.403.1 (incorporated by reference 434.701)m or equivalent.

NOT TO SCALE

**JOB:** \_\_\_\_\_  
**ARCHITECT:** \_\_\_\_\_  
**ENGINEER:** \_\_\_\_\_  
**CONTRACTOR:** \_\_\_\_\_  
**LOCATION:** \_\_\_\_\_

**FINISH:** \_\_\_\_\_

TAG	QTY	WIDTH "A"	DEPTH "B"	Diameter "C"



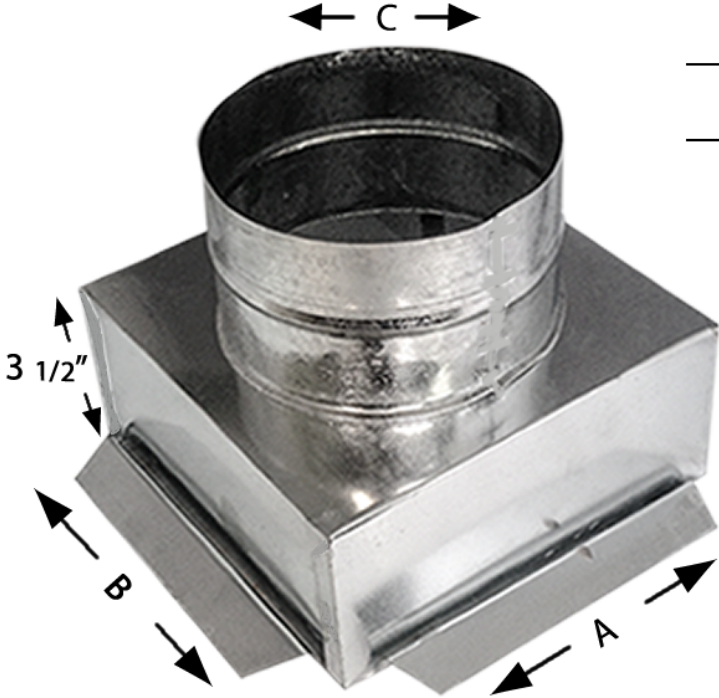
# Ceiling Boxes

[www.generalmetals.com](http://www.generalmetals.com)

Perfect Seal<sup>®</sup> Ceiling Box feature 3 1/2" Square Depth and Beaded 3" High Collar. Ceiling boxes are designed for residential or commercial construction. Collars Accept flexible air duct or round metal pipe.

**ADVANTAGES:** Low profile for easy installation in shallow spaces. Deep enough to accommodate virtually any opposed blade diffuser or register.

**CONSTRUCTION:** All galvanized steel, stapled and spot welded and sealed for strength. One piece die formed plaster ground to insure a square, air tight fit. Special Sizes & Gauges also Available On Request. All Perfect Seal<sup>®</sup> boxes are sealed w/Pookie duct sealer.



Product Dimensions	ROUGH IN		
	A	B	C
CB 6X6X4	6"	6"	4"
CB 6X6X5	6"	6"	5"
CB 6X6X6	6"	6"	6"
CB 8X8X5	8"	8"	5"
CB 8X8X6	8"	8"	6"
CB 8X8X7	8"	8"	7"
CB 8X8X8	8"	8"	8"
CB 9X9X8	9"	9"	8"
CB 10X10X10	10"	10"	10"
CB 10X10X6	10"	10"	6"
CB 10X10X7	10"	10"	7"
CB 10X10X8	10"	10"	8"
CB 10X10X9	10"	10"	9"
CB 12X12X10	12"	12"	10"
CB 12X12X12	12"	12"	12"
CB 12X12X6	12"	12"	6"
CB 12X12X7	12"	12"	7"
CB 12X12X8	12"	12"	8"
CB 12X12X9	12"	12"	9"
CB 14X14X10	14"	14"	10"
CB 14X14X12	14"	14"	12"
CB 14X14X14	14"	14"	14"
CB 14X14X8	14"	14"	8"
CB 14X14X9	14"	14"	9"
CB 16X16X14	16"	16"	14"
TFB 14X6X8	14"	6"	8"
TFB 8X6X6	8"	6"	6"





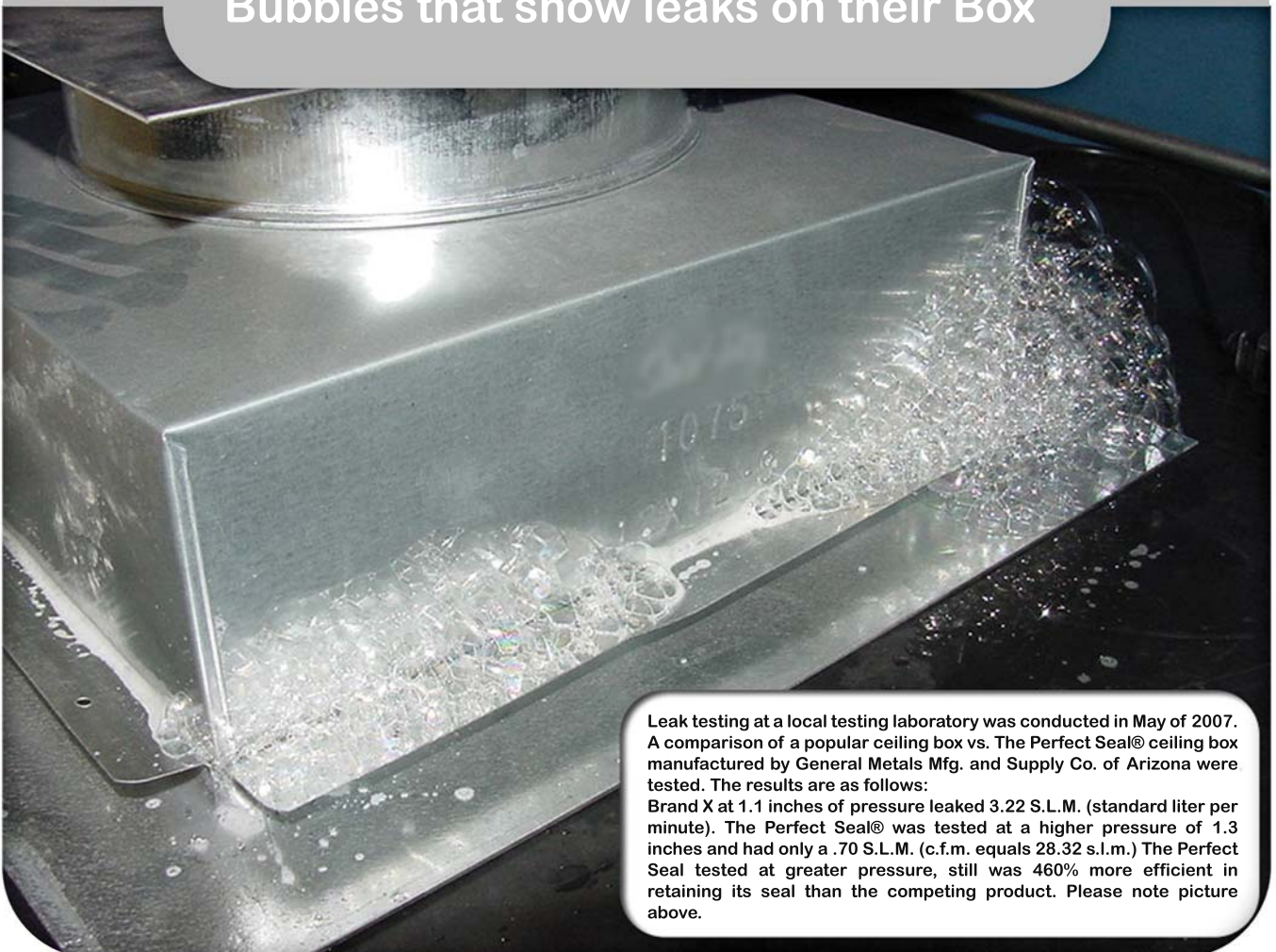
## Testing the Perfect Seal ceiling Box

Note:

>>NO BUBBLES<<



## Testing Brand X Ceiling Box Bubbles that show leaks on their Box



Leak testing at a local testing laboratory was conducted in May of 2007. A comparison of a popular ceiling box vs. The Perfect Seal® ceiling box manufactured by General Metals Mfg. and Supply Co. of Arizona were tested. The results are as follows:  
Brand X at 1.1 inches of pressure leaked 3.22 S.L.M. (standard liter per minute). The Perfect Seal® was tested at a higher pressure of 1.3 inches and had only a .70 S.L.M. (c.f.m. equals 28.32 s.l.m.) The Perfect Seal tested at greater pressure, still was 460% more efficient in retaining its seal than the competing product. Please note picture above.