

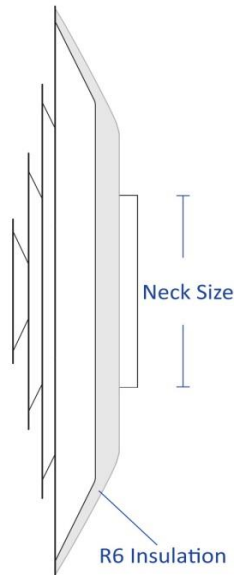
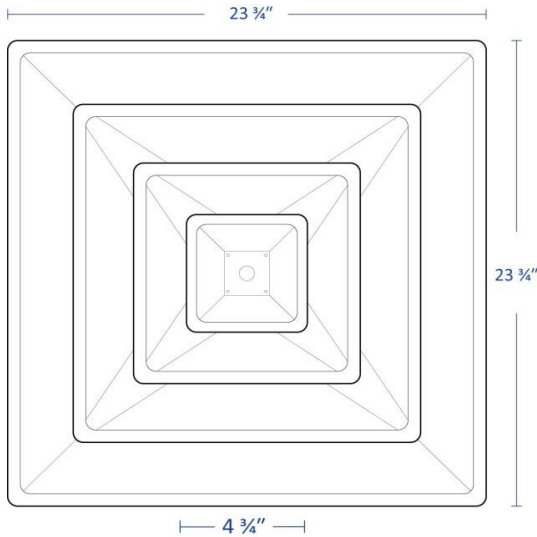
Submitted by: \_\_\_\_\_

Date: \_\_\_\_\_

Step-Down Diffuser

T-Bar Lay-in

Model:



**Available Options**

- Butterfly Damper
- Insulated Steel Back w/ Collar
- Molded R6 Insulation
- Radial Damper

**Model Features**

- 3-cone step-down diffuser
- 24 gauge steel
- 2" 22 gauge collar
- Seismic support tab
- Durable white powder coat finish

**Material:** Steel

**Face:** Step-down

**Model Size:**

Project Name: \_\_\_\_\_

Architect: \_\_\_\_\_

Project Location: \_\_\_\_\_

Engineer: \_\_\_\_\_

Contractor: \_\_\_\_\_

2004CD Step Down Supply Diffuser

NECK SIZE	NECK VELOCITY	400	500	600	700	800	900	1000	1200	1400	1600
6"	AIR FLOW, CFM	80	100	120	135	155	175	195	235	275	315
	Throw	2	3	3	3.5	4	4.5	5	6	7	8
	NC	-	-	-	-	-	-	20	25	30	35
8"	AIR FLOW, CFM	140	175	210	245	280	315	350	420	490	560
	Throw	3.5	4.5	5.5	6.5	7	8	9	10.5	12.5	14.5
	NC	-	-	-	-	20	25	30	35	35	40
10"	AIR FLOW, CFM	220	270	325	380	435	490	545	655	765	870
	Throw	5.5	7	8.5	10	11	12.5	14	17	19.5	22
	NC	-	-	-	20	25	30	35	35	40	45
12"	AIR FLOW, CFM	315	390	472	552	628	705	786	942	1100	1255
	Throw	6	7.5	9	10.5	12	13.5	15	18	21	24
	NC	-	-	20	25	30	35	35	40	45	45
14"	AIR FLOW, CFM	430	535	640	750	850	960	1070	1285	1500	1710
	Throw	6.5	8	9.5	11.5	13	14.5	16	19	22.5	25
	NC	-	-	20	25	30	35	40	40	45	45

Terminal Velocity of 75 fpm