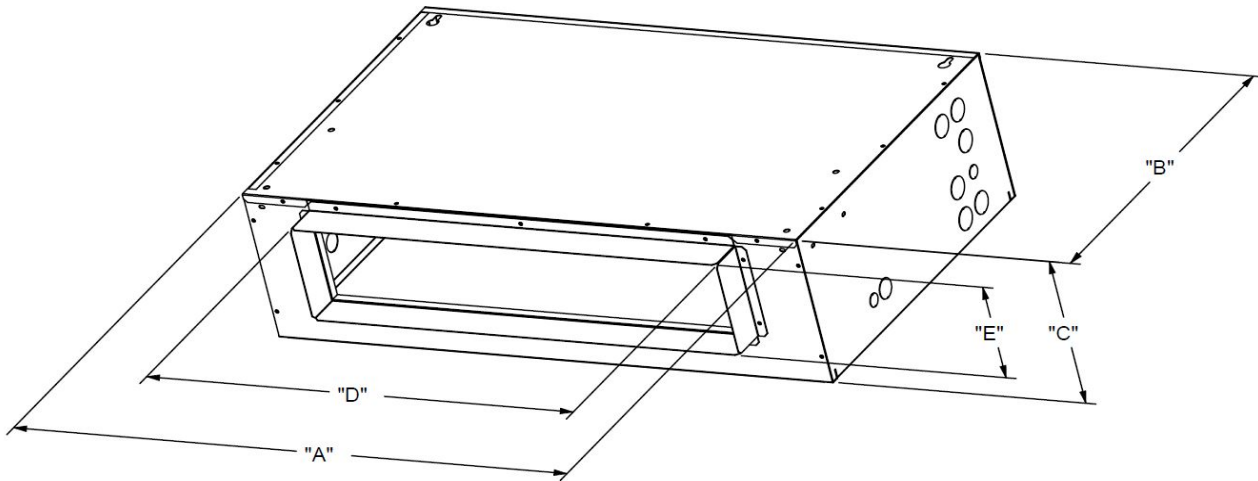
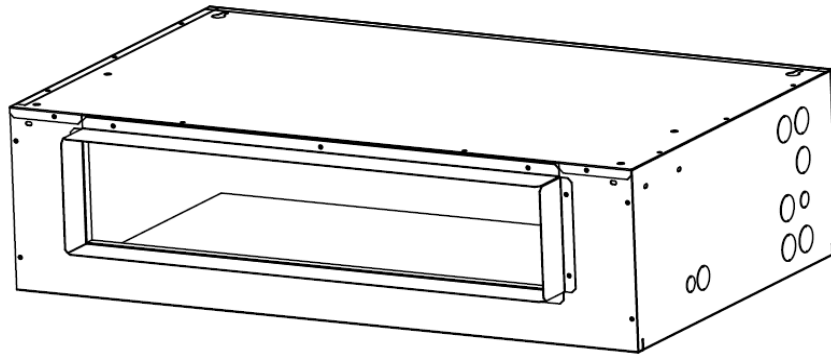


**Job:** \_\_\_\_\_  
**Location:** \_\_\_\_\_  
**Schedule No.:** \_\_\_\_\_  
**System Designation:** \_\_\_\_\_

**Engineer:** \_\_\_\_\_  
**Architect:** \_\_\_\_\_  
**Date:** \_\_\_\_\_  
**For:** \_\_\_\_\_

**FEATURES**

- Field installed case for the ADP Soffit Mount Air Handler
- Fits industry standard footprints
- 1 year limited warranty available



Overall Dimensions					
Air Handler Size	A (in)	B (in)	C (in)	D (in)	E (in)
18, 23	39.7	24	11	30.5	7
24, 29	45.7	24	11	36.5	7
30	51.7	24	11	42.5	7



Product improvement is a continuous process at Advanced Distributor Products. Therefore, product specifications are subject to change without notice and without obligation on our part. Please contact your ADP representative or distributor to verify details.  
 © by Advanced Distributor Products. All rights reserved.



---

2175 West Park Place Boulevard  
Stone Mountain, GA 30087  
[www.adpnow.com](http://www.adpnow.com)

67425600