

# 70 wall-mounted internal machine exploded view

CWA2009-QS003

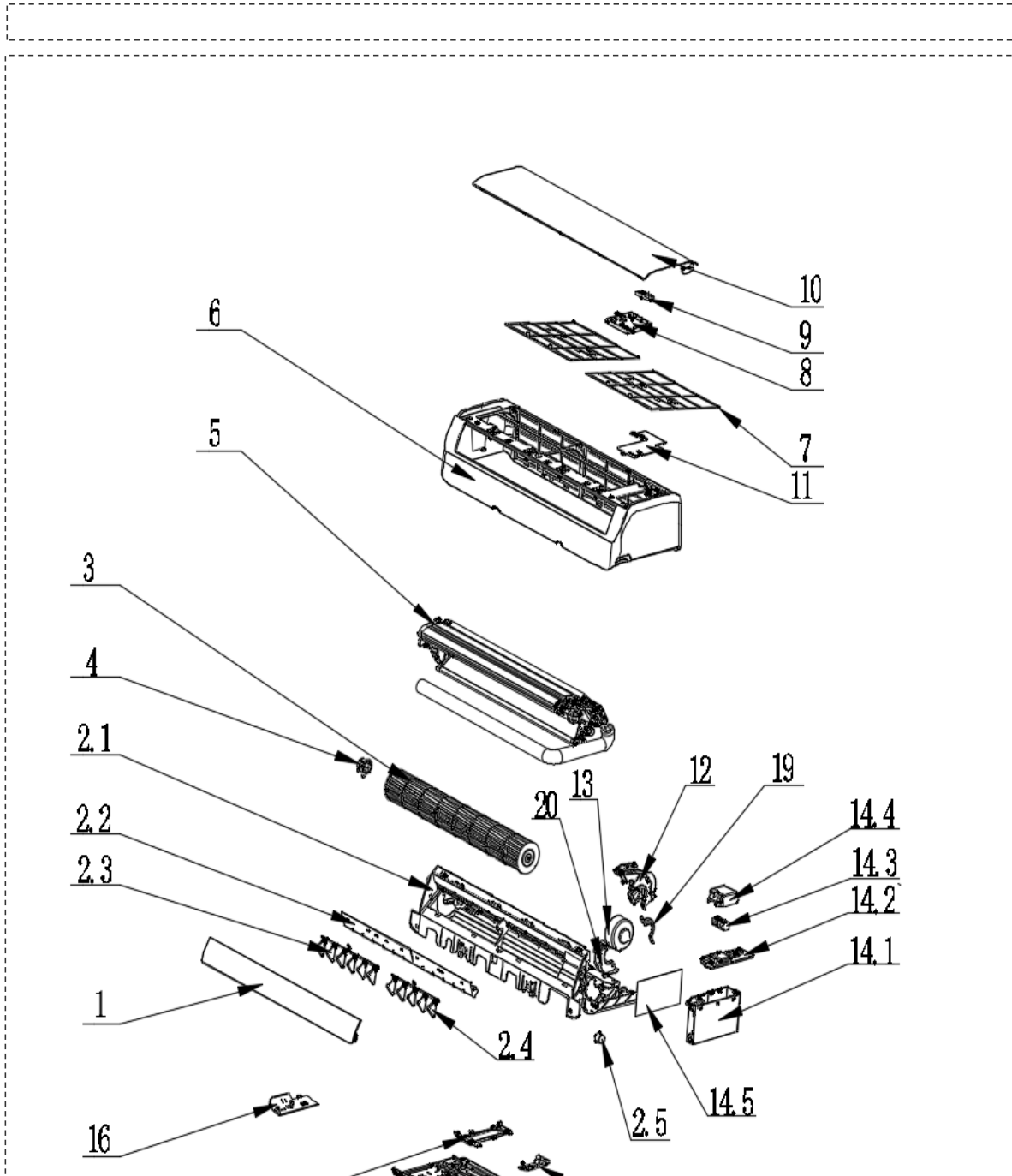
Frequency conversion split indoor unit (polar white/evaporator: 2P7-18U/AC)

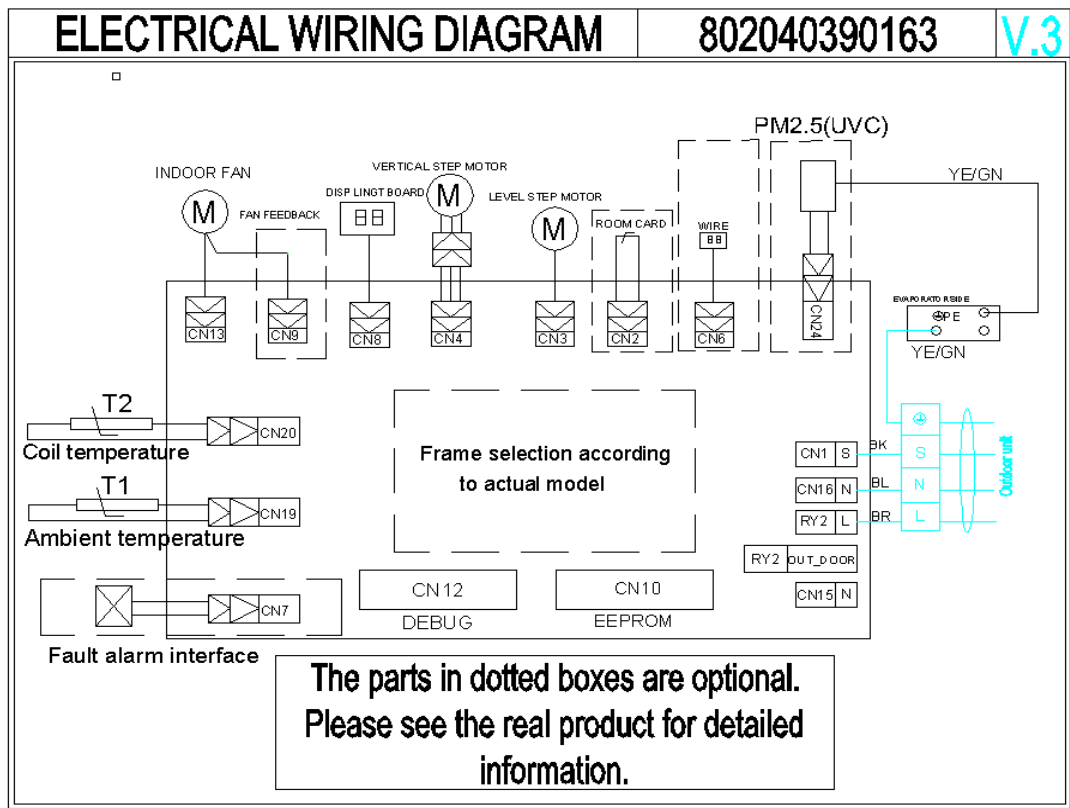
CCG-D24HGR1-GSD-H5

208/230V 1Ph 60HZ

820037100004 / US1-KFR-70G/BPDR1Y-GSD(H5)

In accordance with the needs of business development and market development, a new cabinet of 24K split wall-mounted unit ind





Exploded view list of wall-mounted internal machine

No.	Part Name	Quantity	Sale code	BOM code	Remark
1	Louver	1		801140390063	
2	Base assy	1		801140390061	
2.1	Base	1		P0000336992	
2.2	Volute tongue	1		P0000337417	
2.3	Swing Louver (left&right)	12		P0000337422\P0000337423	
2.4	Louver motor	1		802400200031	
3	Bearing block of flow fan	1		801140300017	
4	Cross flow fan	1		801100200024	
5	Evaporator components	1		801537000017	
6	Middle frame assy	1		801140390068	
7	Air Filter	2		801140390070	
8	Display lamp cover	1		801140300018	
9	Display lamp	1		803300700105	without WIFI port
10	Front Panel	1		801140390073	
11	Middle frame cover plate	1		801140390065	
12	Motor Clamp	1		801140390062	
13	Motor	1		802400300099	
14	Eletronic control components	1		803337000011	
14.1	Electric box	1		801140300043	
14.2	Electric box cover	1		801140390074	

14.3	Terminal	1		802404700003	
14.4	Terminal cover	1		801140390064	
14.5	Electric control plate assy (PCB)	1		801337000011	
15	Wall-mounting frame	1		801240390042	
16	Left cover of base	1		801140390066	
17	Right cover of base	1		801140390067	
18	Pipe clamp	1		801140390071	
19	Motor upper pressure plate	1		801137000013	
20	Motor lower support plate	1		801137000012	
21	Temperature senser	1		802300400115	T2
22	Temperature senser	1		802300400116	T1