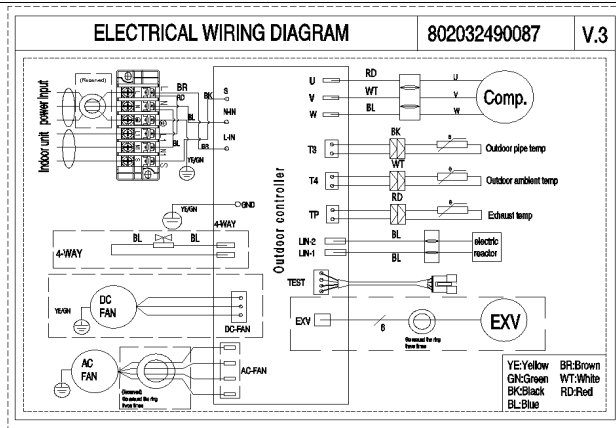
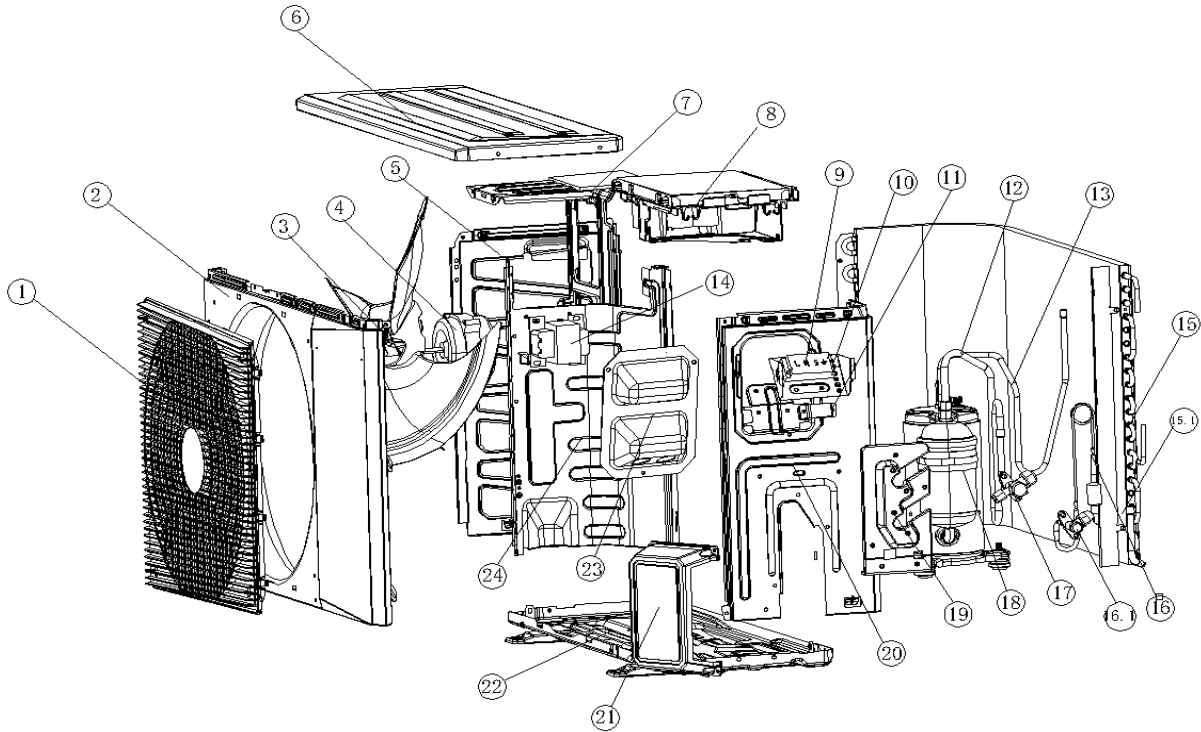


Product Name: Frequency Conversion Split Outdoor Unit (Camel Grey Meizhi KSN140D21UFZ 2
 Project code: US1-KFR-53W/BPR1Y-A01(K5)
 Product Code: 821039000121
 Power specification: 208/230V-1Ph-60Hz



No.	Part Name	Quantity	Sale code	BOM code	Remark
1	Air Grille	1		802932090001	
2	Front panel	1		801232490053	
3	Axial Fan Blade	1		801100300044	
4	DC Motor	1		802400300089	
5	Left side panel	1		801232490051	
6	Top cover assembly	1		801232490054	
7	Motor bracket assembly	1		801232490048	
8	Outdoor main PCB	1		801339090014	
9	Terminal block mounting plate	1		802404700004	
10	Electronic control mounting plate	1		801239000046	
11	Pressing Button	1		801102000016	
12	Suction Pipe Assembly	1		801639090735	
13	Discharge Pipe Assembly	1		801639000105	
13.1	4-way valve	1		801600100027	
13.2	4-way valve coil	1		802419900281	
14	Reactor	1		802300300066	
15	Condenser assembly	1		801539000006	
15.1	Condenser	1		801539000007	
16	Capillary parts	1		801640390048	
16.1	Cut-off valve-C	1		801600200029	

17	Cut-off valve	1		801619900094	
18	Inverter compressor	1		801401400180	
19	Valve holder	1		801228200171	
20	Right side panel parts	1		801237000014	
21	Stop valve cover	1		801137000005	
22	Base Pan	1		801232490064	
23	Big Handler	1		801239000075	
24	Middle separating board assembly	1		801239000064	
25	Temperature senser	1		802300400185	T3
26	Temperature senser	1		802300400184	T4
27	Temperature senser	1		802300400186	T5